



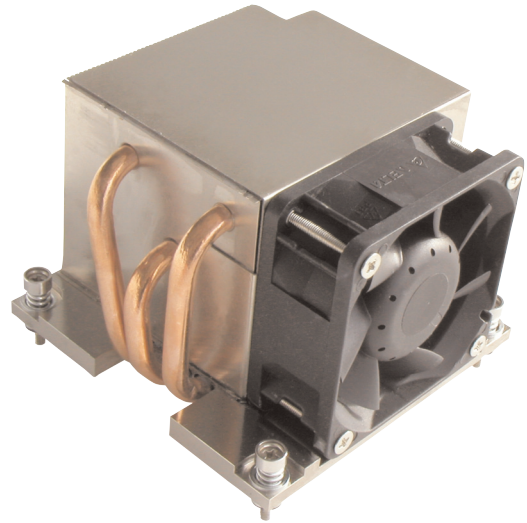
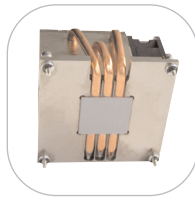
**AAVID
THERMALLOY**

Xeon 5500 Series Active 2U High Performance Heat Sink

RoHS ✓
Compliant

PASSIVE HEAT SINK FOR INTEL® XEON 5500 SERIES PROCESSORS

Aavid's line of 5500 series processor heat sinks are suitable for mainstream desktop PCs. Their unique design removes heat using heat pipes, copper, and aluminum construction. Each heat sink comes with the necessary hardware and thermal interface for quick and easy assembly.



CRITICAL APPLICATION NEEDS:

- *Remove heat from the processor*
- *CPU thermal solution is part of the system solution*
- *Proper mechanical force loading*

FEATURES:

- *Optimized design and robust construction focusses on rapid heat removal from the chip using heat pipes, copper, and aluminum geometries*
- *This design was developed using an overall system analysis with standard component layout and requirements. This solution met all of the parameters regarding the standard server architecture and allowed for overall system cooling to be achieved*
- *The new LGA1366 package requires the dynamic heat sink loading to be controlled to achieve proper electrical interconnect over long term reliability. These requirements have been achieved with our product*

ORDERING INFORMATION:

Part Number	Description
050233	Aluminum heat sink w/ Fan & Heat Pipes
050076	Backing Plate

FOR MORE INFORMATION, VISIT OUR WEB SITE: WWW.AAVIDTHERMALLOY.COM
TEL: (603) 224-9988

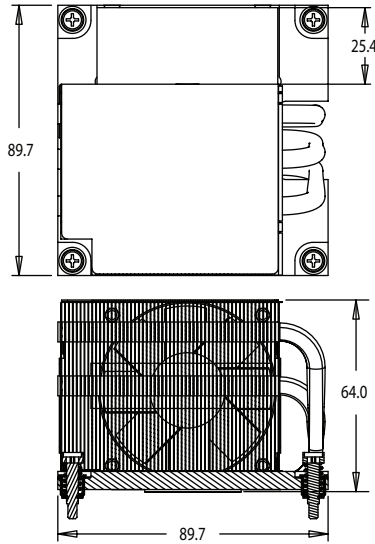


**AAVID
THERMALLOY**

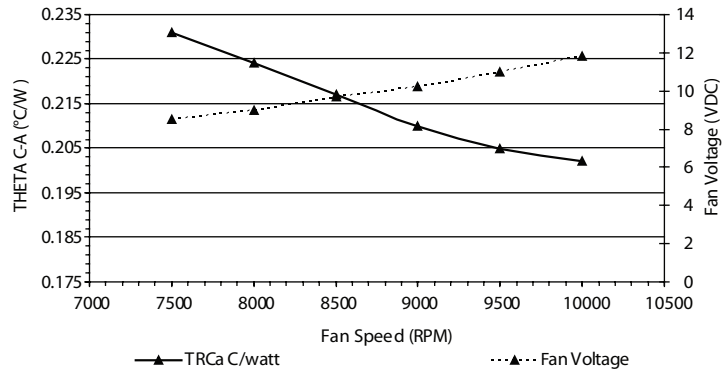
**Xeon 5500 Series Active 2U
High Performance Heat Sink**

RoHS Compliant

MECHANICAL DRAWING:
Dimensions are shown as mm



THERMAL PERFORMANCE:



PHYSICAL SPECIFICATION:

Application	Intel® Xeon 5500 series	
Intel Compatibility	E5540, E5530, E5520, E5506, E5504, E5502, L5520, L5506	
Socket Type	LGA 1366	
Construction	Base	Aluminum Base w/ Heat Pipes
	Fins	Aluminum
Thermal Interface Material¹	Shin-Etsu G751 Grease	
Weight	413.6 Grams	
Mechanical	Designed to meet Intel® shock and vibration requirements	

FAN SPECIFICATION:

Fan Dimensions	60 x 60 x 25
Fan Speed	9000 ± 10% RPM
Operation Voltage	10.8-13.2 VDC
Acoustical Noise	55dB-A Avg
Life Expectation	70k hrs @ 40°C
Bearing Type	Two Ball Bearings
Housing	Molex 47054-1000 or equivalent
Pin1	Black (-)
Pin2	Yellow (+)
Pin3	Green (Foo)
Pin4	Blue (PWM)

North America

70 Commercial Street
Concord, NH 03301
TEL: (603) 224-9988
FAX: (603) 223-1790
EMAIL: info@aavid.com

Europe - Italy

Via Aprile, 32
40057 Cadriano (BO), Italy
TEL: (39) 051 764011
FAX: (39) 051 764092
EMAIL: sales.it@aavid.com

Asia - Taiwan

14F-4, NO. 79, Hsin Tai Wu RD.
SEC. 1, Hsi Chih
Taipei Hsien, Taiwan
TEL: 011(886) 2-2698-9888
FAX: 011(886) 2-2698-9808
EMAIL: sales.tw@aavid.com

Asia - Singapore

31 Admiralty Road, #06-01
Singapore 739984
TEL: 65-6362-8388
FAX: 65-6362-8588
EMAIL: sales.sg@aavid.com

PLEASE NOTE: Any information furnished by Aavid Thermalloy is believed to be accurate and reliable, but our customers must bear all responsibility for use and applications of Aavid Thermalloy products. AAVID THERMALLOY MAKES NO WARRANTIES EXPRESSED OR IMPLIED, AS TO THE FITNESS, MERCHANTABILITY, OR SUITABILITY OF ANY AAVID PRODUCTS FOR ANY SPECIFIC OR GENERAL USES. AAVID THERMALLOY SHALL NOT BE LIABLE FOR INCIDENTAL OR CONSEQUENTIAL DAMAGES OF ANY KIND. All Aavid Thermalloy products are sold pursuant to the Aavid Thermalloy Domestic Terms and Conditions of Sale in effect from time to time, a copy of which shall be furnished upon request (8911A). Copyright © Aavid Thermalloy, LLC. February 2009. All icons, drawings, illustrations, and trademarks are the property of Aavid Thermalloy, LLC. and may not be reproduced without express written permission. (2/2009)

**FOR MORE INFORMATION, VISIT OUR WEB SITE: WWW.AAVIDTHERMALLOY.COM
TEL: (603) 224-9988**