

Data plug - FOC-V14-C1S-S/SJFG:10 - 1408069

<https://www.phoenixcontact.com/in/products/1408069>

Please be informed that the data shown in this PDF document is generated from our Online Catalog. Please find the complete data in the user documentation. Our General Terms of Use for Downloads are valid.



SC-RJ connectors, degree of protection: IP65/IP67, number of positions: 2, 100 Mbps, material: Stainless steel 1.4404, connection method: Push-pull, cable outlet: straight

Your advantages

- Push-pull ADVANCE connector
- Stainless steel design
- Locking system to prevent inadvertent removal
- Protected data transmission, thanks to 360° shielding concept
- High resistance to ESD and EMC for reliable transmission

Data plug - FOC-V14-C1S-S/SJFG:10 - 1408069



<https://www.phoenixcontact.com/in/products/1408069>

Commercial Data

Order Key	1408069
Packing unit	10 pc
Minimum order quantity	1 pc
Sales Key	ABN
GTIN	4046356788809
Weight per Piece (including packing)	22.2 GRM
Weight per Piece (excluding packing)	22.2 GRM
Customs tariff number	85367000

Data plug - FOC-V14-C1S-S/SJFG:10 - 1408069

<https://www.phoenixcontact.com/in/products/1408069>

Technical Data

Cable / line

Cable structure

Cable type	Plastic fiber
External cable diameter	≤ 10 mm (of 5 mm)
Individual wire diameter	2.2 mm

Ambient conditions

Resistance to oil	yes
Flame resistance	yes

FO cable

Number of fibers	2
Fiber	980/1000 μm
Fiber type	POF

Connector

Connection profile	SCRJ
--------------------	------

Environmental and real-life conditions

Degree of protection	IP65/IP67
Ambient temperature (operation)	-40 °C ... 80 °C
Ambient temperature (storage/transport)	-40 °C ... 80 °C
Ambient temperature (assembly)	0 °C ... 50 °C
Resistance to oil	yes

Notes

General	This product corresponds to the PROFINET Cabling and Interconnection Technology Guideline for PROFINET regulations, version 3.01, Order No. 2252
---------	--

Environmental Product Compliance

REACH SVHC	Lead 7439-92-1
------------	----------------

Electrical properties

Attenuation	≤ 1.5 dB (according to ISO/IEC 24702)
-------------	---------------------------------------

Mechanical properties

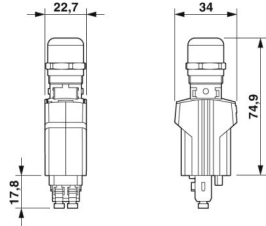
Interlock

Locking type	Push Pull
--------------	-----------

Dimensions

Data plug - FOC-V14-C1S-S/SJFG:10 - 1408069

<https://www.phoenixcontact.com/in/products/1408069>

Dimensional drawing	
Width	22 mm
Height	34 mm
Length	80 mm

Mechanical characteristics

Ferrule diameter	2.50 mm
------------------	---------

Material specifications

Flammability rating according to UL 94	V0
Seal material	NBR
Housing material	Stainless steel 1.4404

Characteristics

Shielded	no
No. of cable outlets	1
Cable outlet	straight
Attenuation	≤ 1.5 dB (according to ISO/IEC 24702)

Standards and regulations

Standards/specifications	IEC 61076
Flame resistance	yes
Resistance to oil	yes

Product properties

Type	Version 14
Number of positions	2
Locking type	Push Pull

Insulation characteristics

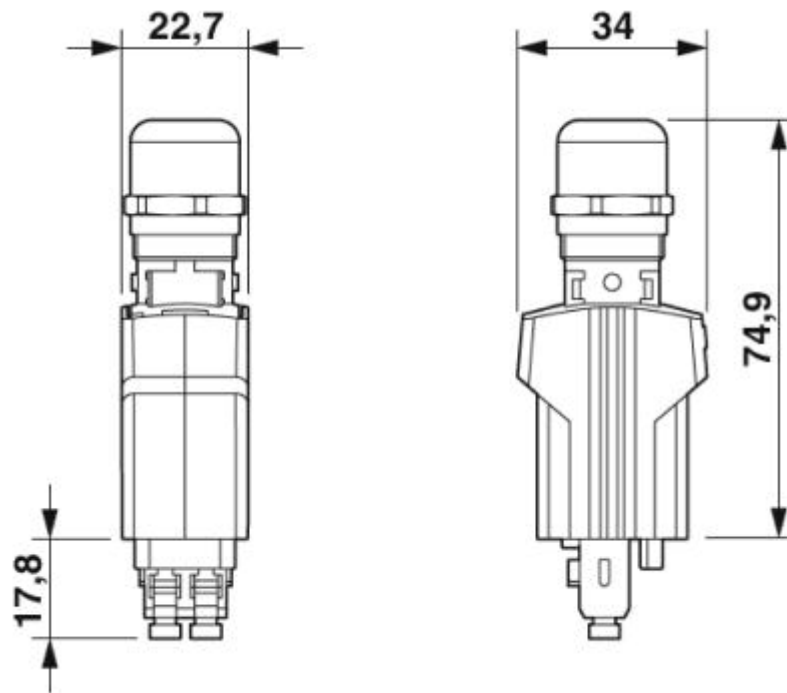
Overvoltage category	I
Degree of pollution	2

Data plug - FOC-V14-C1S-S/SJFG:10 - 1408069

<https://www.phoenixcontact.com/in/products/1408069>

Drawings

Dimensional drawing




Data plug - FOC-V14-C1S-S/SJFG:10 - 1408069



<https://www.phoenixcontact.com/in/products/1408069>

Approvals

UL Listed 

EAC 

Data plug - FOC-V14-C1S-S/SJFG:10 - 1408069

<https://www.phoenixcontact.com/in/products/1408069>

Accessories

Panel mounting frame

Panel mounting frame - FOC-V14-F1S-EM/SJB - 1413969



Panel mounting frames, degree of protection: IP65/IP67, 10 Gbps, material: Stainless steel 1.4016, connection method: Push-pull, cable outlet: straight

Phoenix Contact 2020 © - all rights reserved
<https://www.phoenixcontact.com>

PHOENIX CONTACT (I) Pvt. Ltd.
A-58/2, Okhla Industrial Area, Phase - II, New Delhi-110 020

+91.11.30262800
info@phoenixcontact.co.in