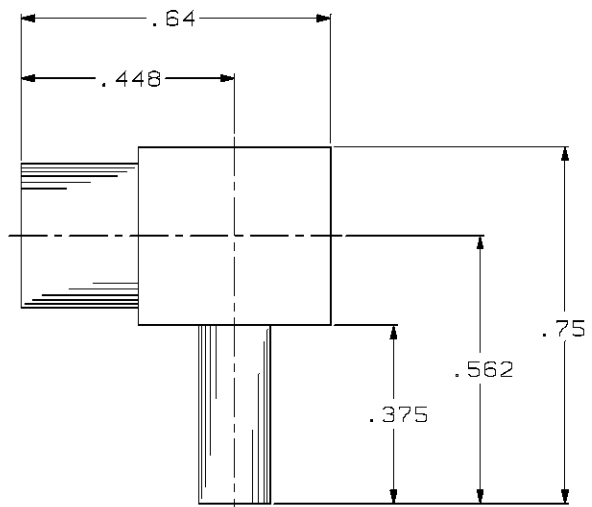
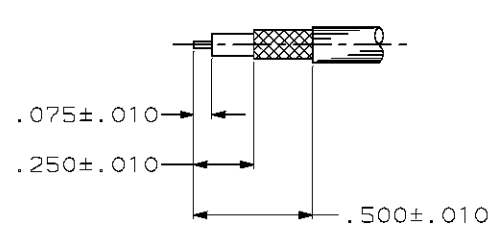


LOC	DIST	P	F	ZONE	LTR	DESCRIPTION	DATE	APPD
AJ	16					E REV & REDRAWN PER ECN AJ-6143	3/9/92	KJH
						F REV PER 0220-0747-95	4-08-86	JC



- MATERIALS:
 BODY...BRASS PER QQ-B-626
 CENTER AND OUTER CONTACT...
 BERYLLIUM COPPER PER
 QQ-C-530
 DIELECTRIC...TFE PER
 ASTM-D-1710
- FINISH:
 BODY...NICKEL PER QQ-N-290
 CENTER AND OUTER CONTACT...
 GOLD PER MIL-G-45204
- MIL HAND TOOL: M22520/5-01
- FINISH:
 BODY AND OUTER CONTACT...
 NICKEL PER QQ-N-290
 CENTER CONTACT...GOLD PER
 MIL-G-45204
- FINISH:
 BODY, OUTER CONTACT AND
 CENTER CONTACT... GOLD PER
 MIL-G-45204
- SEE I.S. SHEET 2987-9



RECOMMENDED STRIP LENGTH
 SCALE: NTS

	C	58483-1	.151	HX4-1607	5	RG 180,195	1-414048-6
	B	58483-1	.128	HX4-1607	5	RG 179,187	1-414048-5
OBSOLETE	C	58483-1	.151	HX4-1607	4	RG 180,195	1-414048-4
	B	58483-1	.128	HX4-1607	4	RG 179,187	1-414048-3
OBSOLETE	C	58483-1	.151	HX4-1607	2	RG 180,195	414048-8
	B	58483-1	.128	HX4-1607	2	RG 179,187	414048-6
POSITION LETTER	AMP DIE SET	HEX SIZE	DANIELS DIE SET				
AMP PRO-CRIMPER FOR BRAID CRIMP		M 22520/5-01 FOR BRAID CRIMP		NOTES	CABLE	PART NO	
TOOLING INFORMATION							

			PART NO		
DO NOT SCALE PRINT. UNLESS SPECIFIED DIMENSION IN INCHES TOLERANCES ON : 2 PLC DEC ± - 3 PLC DEC ± - ANGLES ± -	DR <i>G. Heilig</i> 3/5/92		AMP AMP Incorporated Harrisburg, PA 17105-3608		
	CHK G. MICHAEL 3/6/92				
	APPD G. MICHAEL 3/6/92	NAME	PLUG, CRIMP CABLE, RTANG, 75 OHM, SMB		
MATERIAL SEE NOTES	APPD K. HEILIG 3/9/92				
	PRODUCT SPEC -		SIZE C	CAGE CODE 00779	DRAWING NO 414048
FINISH SEE NOTES	APPLICATION SPEC -		SCALE NTS	SHEET 1 OF 1	
	WEIGHT -				