

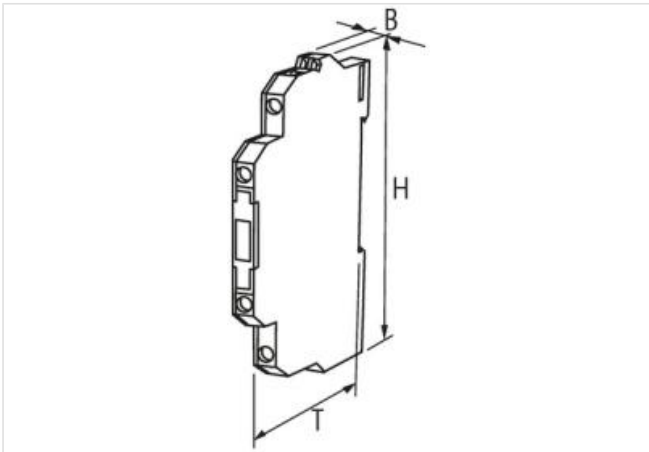
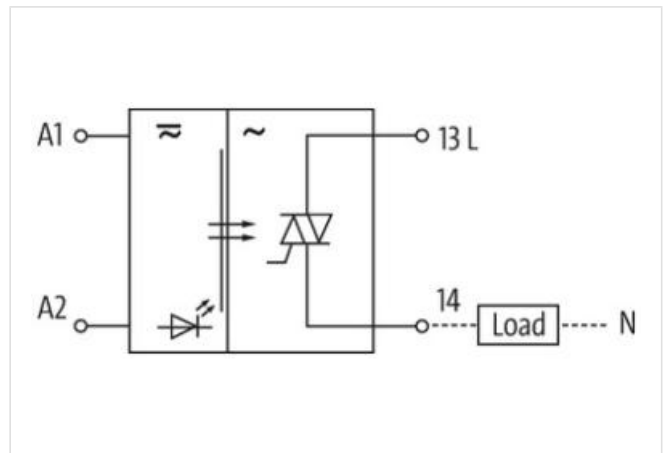
MIRO TH 230VAC SK OPTO-COUPLER MODULE

IN: 250 VAC - OUT: 250 VAC / 0,5A

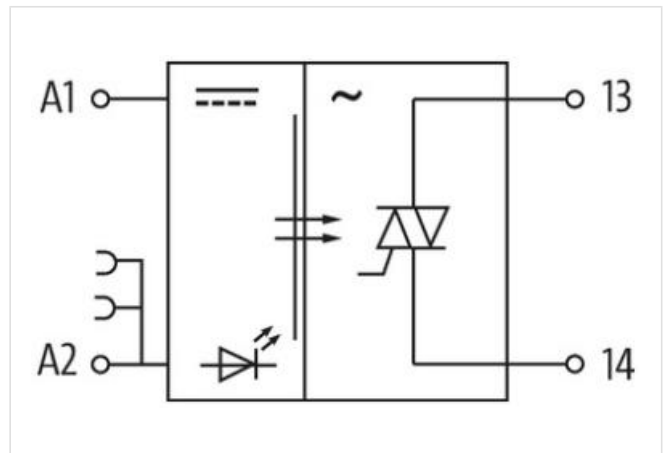
Triac 0.5 A
230 V AC
Screw terminals

[Link to Product](#)

Illustration



Product may differ from Image



Commercial data

ECLASS-6.0	27371604
ECLASS-6.1	27371604
ECLASS-7.0	27371604
ECLASS-8.0	27371604
ECLASS-9.0	27371604
ECLASS-10.1	27371604

ECLASS-11.1	27371604
ECLASS-12.0	27371604
ETIM-5.0	EC001504
customs tariff number	85414900
GTIN	4048879026758
Packaging unit	1

Electrical data | Input

Input voltage AC min.	140 V
Input voltage AC max.	250 V
Input voltage OFF AC min.	0 V
Input voltage OFF AC max.	80 V
Current input AC	7,2 mA

Electrical data | Output

Switch off delay max.	10 ms
Switch on delay max.	10 ms
Quiescent current OFF max.	0,3 mA
Additional condition switching frequency	depending on wiring
Switching frequency max.	20 Hz
Voltage switching AC min.	12 V
Switching voltage AC max.	250 V
Current switching min.	2 mA
Switching current max.	0,5 A
Voltage drop AC max.	1,5 V

Diagnostics

Status indication LED	yellow
-----------------------	--------

Device protection | Electrical

Rated surge voltage	2,5 kV
---------------------	--------

Device protection | Media

Flame resistance	flame retardant
------------------	-----------------

Mechanical data | Material data

Color housing	black
Material housing	Plastic

Mechanical data | Mounting data

Mounting method	geschnappt
Suitable for mounting type	mounting rail, (EN 60715)
Height	78 mm
Width	6,2 mm
Depth	70 mm

Environmental characteristics | Climatic

Operating temperature min.	-20 °C
Operating temperature max.	60 °C

Connection type 4

Connection	Screw terminals SK
Family construction form	terminal
Gender	female
Color contact carrier	black
No. of poles	1
PIN 1	13
Connection	Screw terminals SK
Family construction form	terminal
Gender	female

Color contact carrier	black
No. of poles	1
PIN 1	14
Connection	Screw terminals SK
Family construction form	terminal
Gender	female
Color contact carrier	black
No. of poles	1
PIN 1	A 1
Connection	Screw terminals SK
Family construction form	terminal
Gender	female
Color contact carrier	black
No. of poles	1
PIN 1	A 2