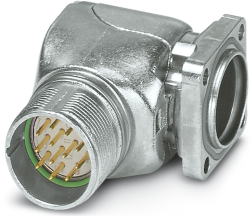


Device connector, front mounting - RC-19P1NRAAD00 - 1613885

Please be informed that the data shown in this PDF Document is generated from our Online Catalog. Please find the complete data in the user's documentation. Our General Terms of Use for Downloads are valid (<http://phoenixcontact.com/download>)




Device connector, front mounting, RC, angled rotatable, shielded: yes, Screw locking, M23, Axial O-ring, 4x Ø 3.2

The figure shows the 12-pos. product version



Key Commercial Data

Packing unit	16 pc
GTIN	 4 046356 402910
GTIN	4046356402910

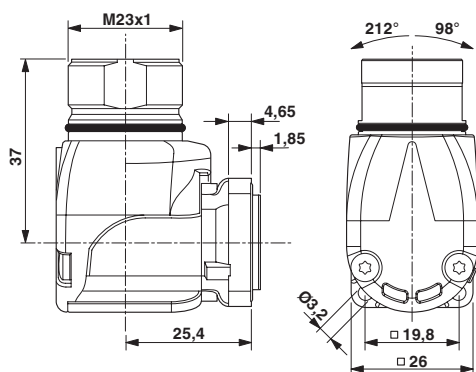
Technical data

Product type	Circular connectors (device side)
Type	Device connector for front wall
Mounting type	4x Ø 3.2
Thread	M23
Shielding	yes

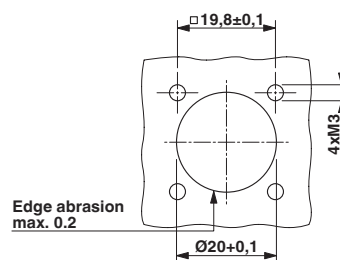
Drawings

Device connector, front mounting - RC-19P1NRAAD00 - 1613885

Dimensional drawing



Dimensional drawing



Classifications

eCl@ss

eCl@ss 4.0	272607xx
eCl@ss 4.1	27260701
eCl@ss 5.0	27260701
eCl@ss 5.1	27260700
eCl@ss 6.0	27279200
eCl@ss 7.0	27440103
eCl@ss 9.0	27440102

ETIM

ETIM 3.0	EC001121
ETIM 4.0	EC001121
ETIM 6.0	EC001121

UNSPSC

UNSPSC 6.01	43172015
UNSPSC 7.0901	43201404
UNSPSC 11	43172015
UNSPSC 12.01	43201404
UNSPSC 13.2	39121413
UNSPSC 19.0	39121413