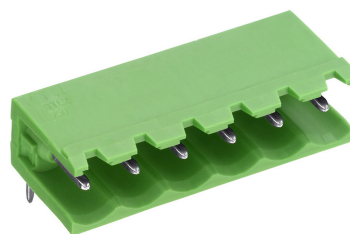


# STLZ950/..-5.08-H-GREEN



### Technical Data

Wire Sizes	Insulating Material
Solid min -	Material PA 6.6
solid max -	Flammability Class UL 94 V-0
Stranded (flexible) -	<b>Temperatures</b>
min -	Operating Temperature -30 °C - 105 °C
Stranded (flexible) -	<b>Wave Soldering Process</b>
max -	Soldering Temperature, recommended 265 °C
Stranded with Ferrule -	Peak Soldering Time, recommended 3-4 s
min -	<b>Reflow Process</b>
Stranded with Ferrule -	Soldering Temperature, recommended -
max -	Peak Soldering Time, recommended -
<b>Dimensions</b>	
Stripped Length	
PCB Hole Diameter 1.4 mm	
<b>Materials</b>	
Contact Pin Copper Alloy	

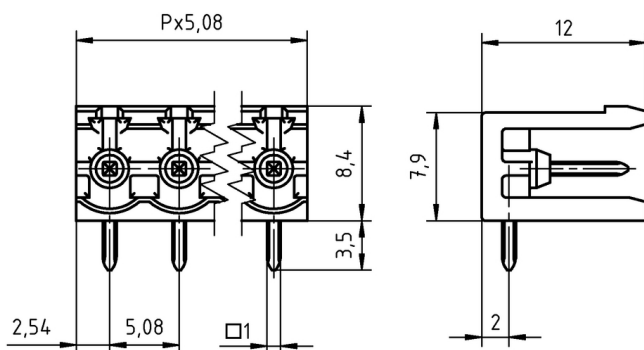
### Colours

GREEN	RAL6018	
BLACK	RAL9011	
BASALT GREY	RAL7012	
PEBBLE GREY	RAL7032	
LIGHT GREY	RAL7035	
LIGHT GREEN	similar RAL 6018	

Colours according to RAL, there may be variations on colour due to production conditions. Special colours on request.

### Counterparts (Spacing 5.08 mm)

Pin Strip/Terminal Blocks
AKZ950 STLZ950-INV AKZ4951 AKZ1200 AKZ1100



### Order Data (Spacing mm)

Poles	Width (mm)	Article Designation	Article Number	PU
2	10.16	STLZ950/2-5.08-H-GREEN	50950025031F	200
3	15.24	STLZ950/3-5.08-H-GREEN	50950035031F	200
4	20.32	STLZ950/4-5.08-H-GREEN	50950045031F	200
5	25.40	STLZ950/5-5.08-H-GREEN	50950055031E	100
6	30.48	STLZ950/6-5.08-H-GREEN	50950065031E	100
7	35.56	STLZ950/7-5.08-H-GREEN	50950075031E	100
8	40.64	STLZ950/8-5.08-H-GREEN	50950085031D	50
9	45.72	STLZ950/9-5.08-H-GREEN	50950095031D	50
10	50.80	STLZ950/10-5.08-H-GREEN	50950105031D	50
11	55.88	STLZ950/11-5.08-H-GREEN	50950115031D	50
12	60.96	STLZ950/12-5.08-H-GREEN	50950125031D	50
13	66.04	STLZ950/13-5.08-H-GREEN	50950135031D	50
14	71.12	STLZ950/14-5.08-H-GREEN	50950145031D	50
15	76.20	STLZ950/15-5.08-H-GREEN	50950155031D	50
16	81.28	STLZ950/16-5.08-H-GREEN	50950165031D	50
17	86.36	STLZ950/17-5.08-H-GREEN	50950175031D	50
18	91.44	STLZ950/18-5.08-H-GREEN	50950185031D	50
19	96.52	STLZ950/19-5.08-H-GREEN	50950195031D	50
20	101.60	STLZ950/20-5.08-H-GREEN	50950205031D	50
21	106.68	STLZ950/21-5.08-H-GREEN	50950215031D	50
22	111.76	STLZ950/22-5.08-H-GREEN	50950225031D	50
23	116.84	STLZ950/23-5.08-H-GREEN	50950235031D	50
24	121.92	STLZ950/24-5.08-H-GREEN	50950245031D	50

### Accessories

Figure	Designation	Article Number
	Coding star CS2-5.0/5.08-RED	50000000024
	Dividing element SE-STL950-GREEN	50950000002

### Ratings



Usegroup	B	C	D	
Rated Voltage	300 V	150 V	300 V	250 V
Rated Current	15 A	15 A	10 A	12 A
Overtoltage Category				III
Test Voltage	1.6 kV	1.6 kV	1.6 kV	4.0 kV
Pollution Degree				3