

# EXTERNAL DESKTOP POWER SUPPLY 5VDC 16WATT

## STONTRONICS: T5793ST



### Features:

- Universal Input
- IEC-320-C8 Input Connector
- 3 Year Warranty
- Efficiency Level VI
- Safety approved to: UL,CUL,FCC,GS,CE,RCM

### Description:

The Stontronics Range of 16 Watt AC/DC switch mode power supplies provide 16 Watts of continuous output power in a high quality compact enclosure suitable for many general power applications.

Specification	
Part Number	T5793ST
Input Voltage Range	90 → 264 Vac
Input Frequency Range	50 → 60Hz
Input Connector	IEC-320-C8
Input Current Rated	500mA Rms Max
Inrush Current	50A Max. at 115VAC cold start
	100A Max. at 230VAC cold start
Leakage Current	<0.25mA
Efficiency	81.78% Min
Input Power (Output: No Load)	<0.1W (CEC & DOE LEVEL VI Compliant)
Output Voltage Rating	5 V dc
Output Current Range	3.2A
Output Min Current	0A
Output Connection Type	2.1 x 5.5 x 12 mm Centre Positive - Right Angle
Line and Load Regulation	+/-5%
Over Voltage Protection	The output voltage shall be clamped by internal protection Zener
Over Load Protection	5A output load
Short Circuit Protection	Output shut down auto recover
Ripple Voltage	150 mV (p-p) (100V-240V AC Input )
Hi-Pot	3000Vac or 4242VDC 10mA 1 min
Safety Approved	UL,CUL,FCC,GS,CE,RCM,LVD
EMI Standard	Meet FCC Class B, CE
Operating Temperature Range	0°C → +40°C
Storage Temperature	-10°C to +70°C
Operating Humidity	20% to 80%
Storage Humidity	10% to 90%
Dimensions	80.6(L) x 50(W) x 31(H) mm
Product Weight	130 g
Regulator Type	Switched Mode Power Supply

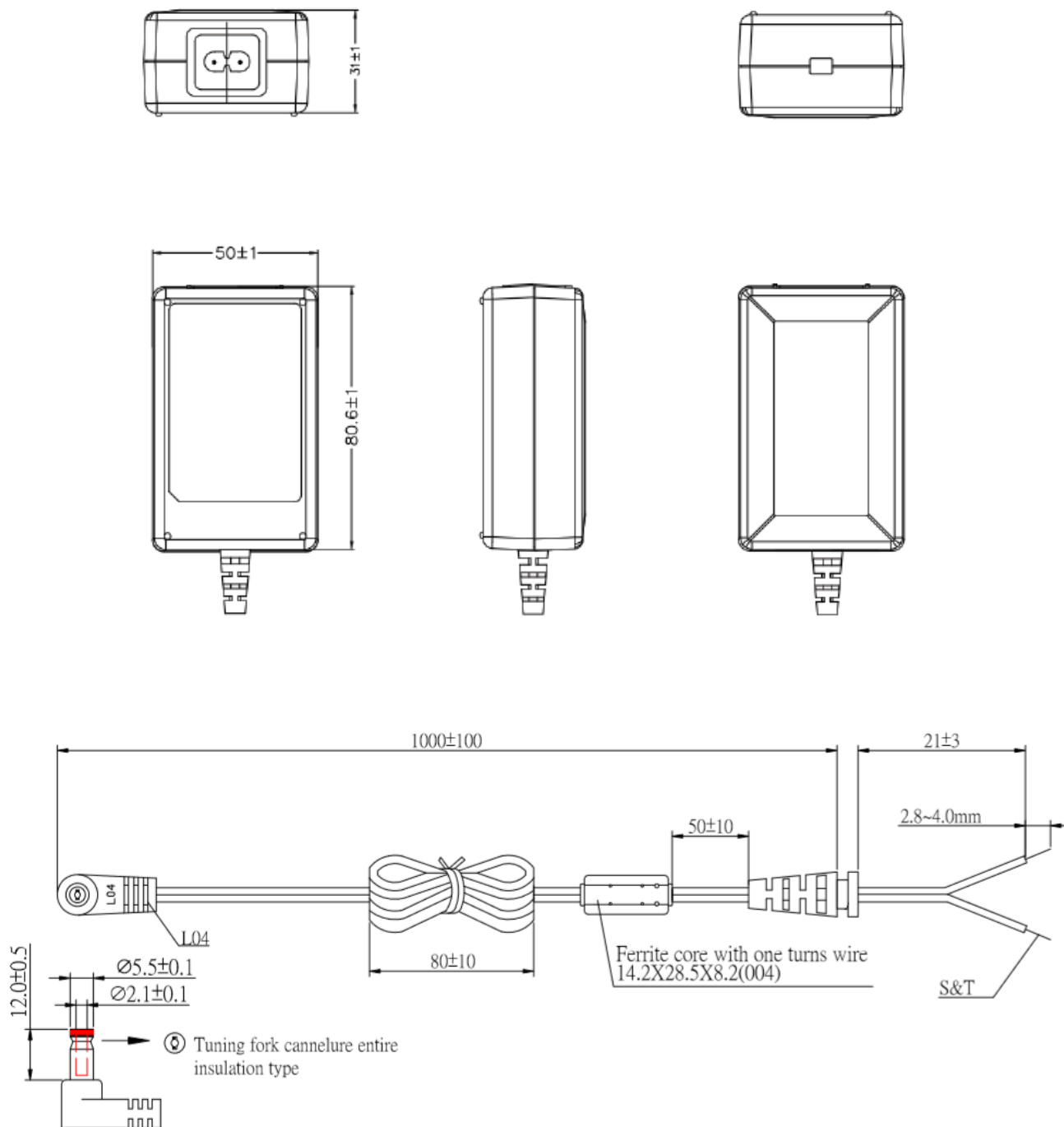
### General Note

TT Electronics reserves the right to make changes in product specification without notice or liability. All information is subject to TT Electronics' own data and is considered accurate at time of going to print.

# EXTERNAL DESKTOP POWER SUPPLY 5VDC 16WATT

## STONTRONICS: T5793ST

### Diagrams



#### General Note

TT Electronics reserves the right to make changes in product specification without notice or liability. All information is subject to TT Electronics' own data and is considered accurate at time of going to print.

### STONTRONICS

TT Electronics IoT Solutions Ltd  
Tofts Farm East, Brenda Road, Hartlepool, TS25 2BQ, UK  
t: +44 (0) 1429 852 500