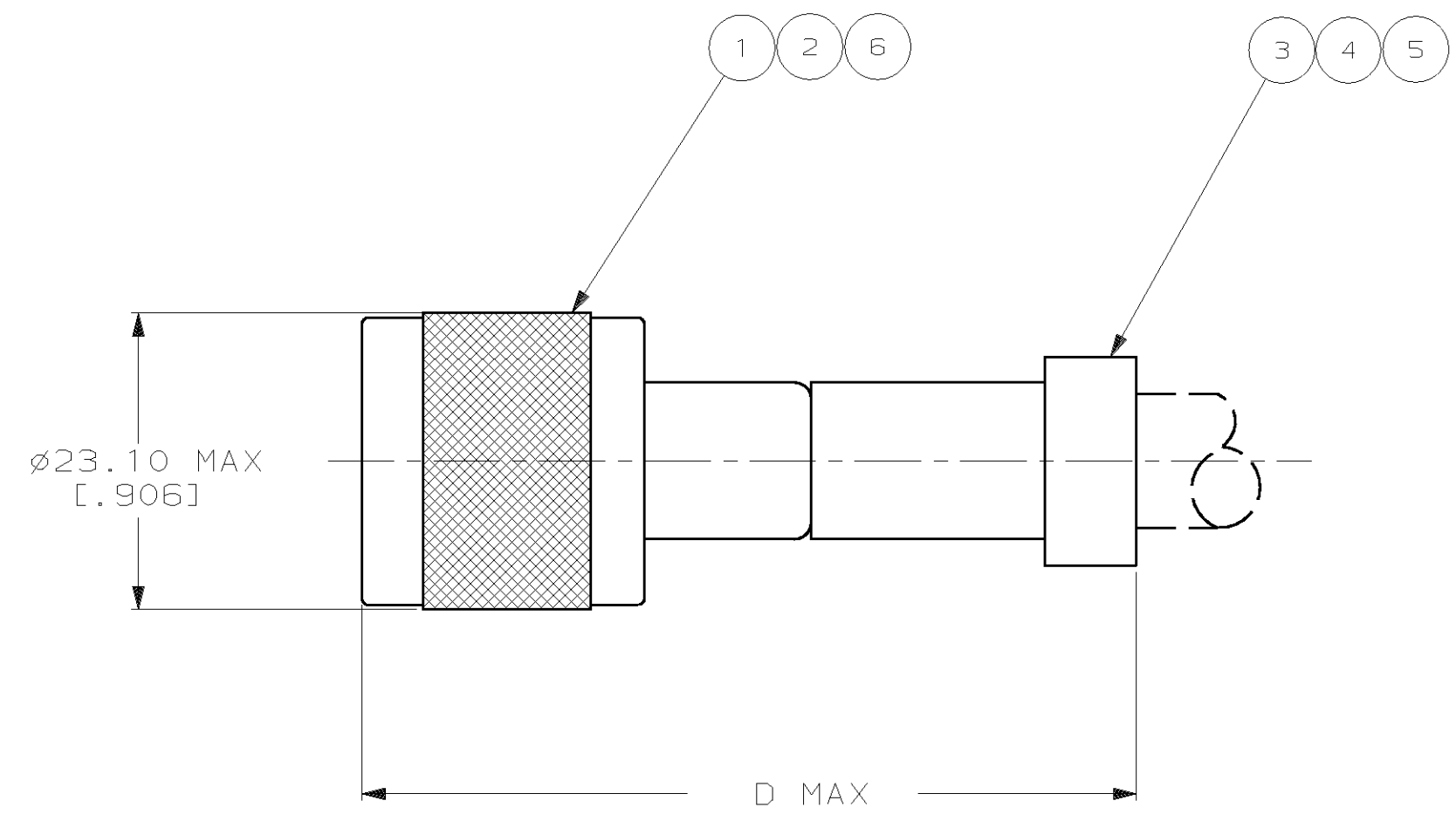
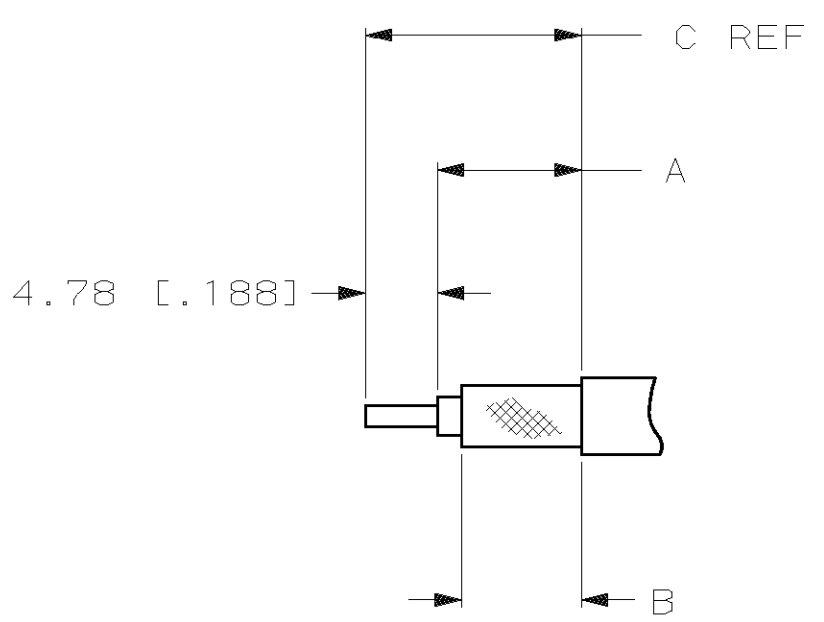


THIS DRAWING IS UNPUBLISHED. RELEASED FOR PUBLICATION  
 © COPYRIGHT 19 BY AMP INCORPORATED. ALL INTERNATIONAL RIGHTS RESERVED.

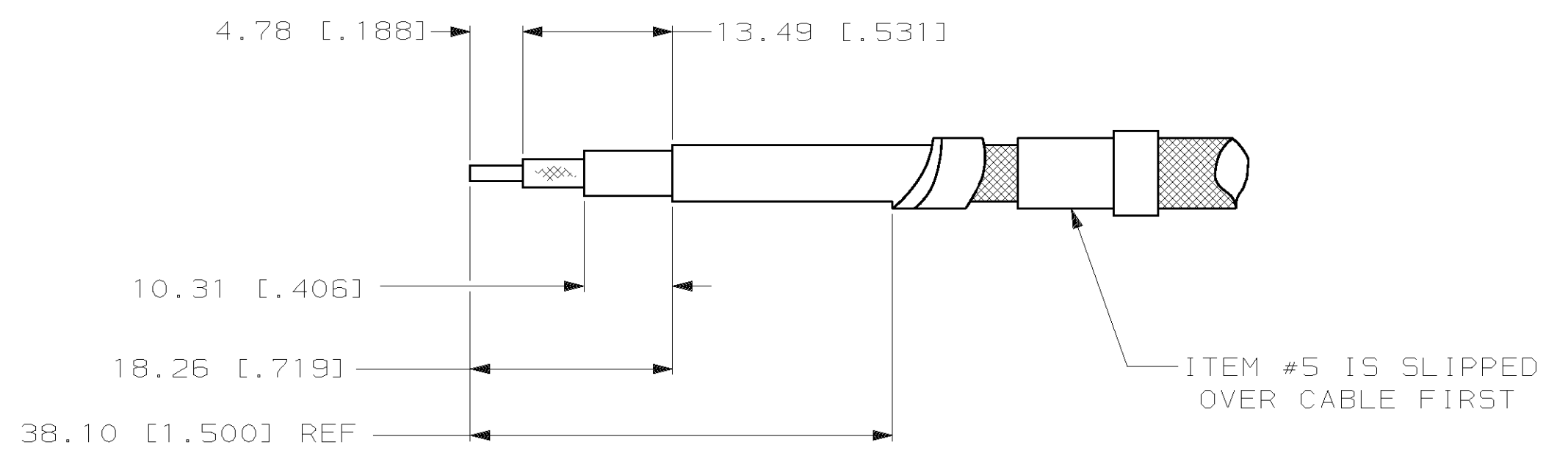
LOC		DIST		P		F		ZONE		LTR		REVISIONS		
AJ	16									G		REV PER 0U20-0357-00	DATE	APP
													18JUL00	MO



- △1 FOR USE WITH: RG-149/U, & 391/U STANDARD CABLE.
- △2 FOR USE WITH: RG-150/U, & 392/U ARMOR CABLE.
- △3 USE CRIMPING TOOL: 220015-1 FOR STANDARD CABLE.
- △4 USE CRIMPING TOOLS: 220015-1, & 220042-1 FOR ARMOR CABLE.
- △5 USE CRIMPING TOOL: 220045-3
- △6 USE CRIMPING TOOL: 220045-2
- 7. SEE I.S.: 2338
- △8 P/N 225744-4 IS RATED AT 2300 VAC.



RECOMMENDED STRIP LENGTH FOR STANDARD COAX CABLE



RECOMMENDED STRIP LENGTH FOR ARMOR CABLE

OBSOLETE	RG-142 B/U CABLE △6	225592-2	-	-	225560-2	1-225343-2	227560-1	1-225744-5
OBSOLETE	RG-302/U CABLE △5	225592-3	-	-	1-225560-5	1-225343-0	227560-2	225744-6
△8	RG-59/U CABLE △5	225592-3	-	-	225560-3	1-225343-0	227560-2	225744-4
	△1 △2 △3 △4	-	225326-2	225325-2	1-331987-9	226719-2	225745-2	225744-3
OBSOLETE	RG-9/U, 9A/U, 9B/U, & 214/U CABLE △3	332022	-	-	331987	225753-2	225745-1	225744-2
	FOR USE WITH	△6 SEAL QTY=1	△5 FERRULE ARMOR QTY=1	△4 FERRULE BRAID QTY=1	△3 FERRULE QTY=1	△2 CONTACT QTY=1	△1 PLUG ASSY QTY=1	PART NUMBER

53.59 [2.110]	17.48 [}.688]	9.53 [}.375]	12.70 [}.500]	1-225744-5
53.59 [2.110]	14.30 [}.563]	6.35 [}.250]	9.53 [}.375]	225744-6
53.59 [2.110]	14.30 [}.563]	7.92 [}.312]	9.53 [}.375]	225744-4
57.94 [2.281]	22.25 [}.876]	12.70 [}.500]	17.48 [}.688]	225744-3
57.94 [2.281]	22.25 [}.876]	12.70 [}.500]	17.48 [}.688]	225744-2
D	C	B	A	PART NUMBER

DO NOT SCALE PRINT. UNLESS SPECIFIED DIMENSIONS IN mm [INCHES] TOLERANCES ON : 2 PLC DEC ± 0.41 [}.016] 3 PLC DEC ± - ANGLES ± -		DR 06-05-91 S.D.KOHL		AMP Incorporated Harrisburg, PA 17105-3608	
MATERIAL -		CHK 10-1-91 M. SNEED			
FINISH -		APPD 10-1-91 R. HENRY		NAME PLUG, WEATHERPROOF, SERIES HN	
		APPD 10-1-91 M. SNEED		PRODUCT SPEC 108-12066	
		APPLICATION SPEC -		SIZE C	CAGE CODE 00779
		WEIGHT -		SCALE 2:1	DRAWING NO 225744
					SHEET 1 OF 1