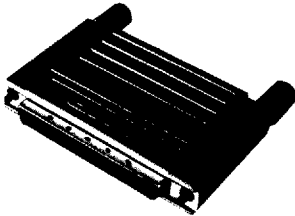


AMPLIMITE .050 Series, SCSI-2, -3, High Density Wide Terminators, Internal Shield, All-Plastic Cover, Standard Profile, With Jackscrews

Plug, 68-Position



Material and Finish:

Shell—Steel, plated .000200 [0.00508] min. tin or tin-lead over .000050 [0.00127] min. copper

Shield—Copper

Jackscrews—Stainless steel

Cover—UL 94V-0 rated ABS, beige

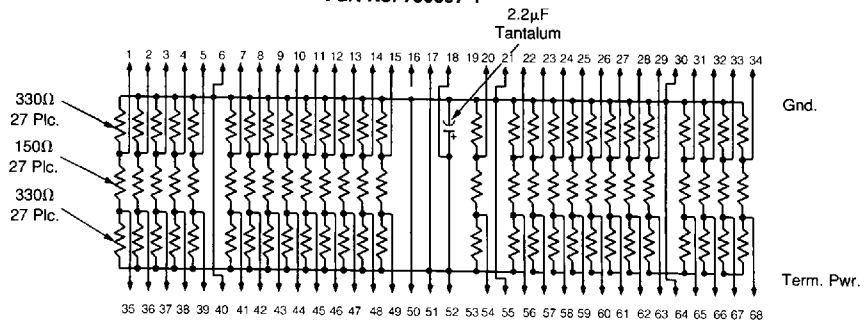
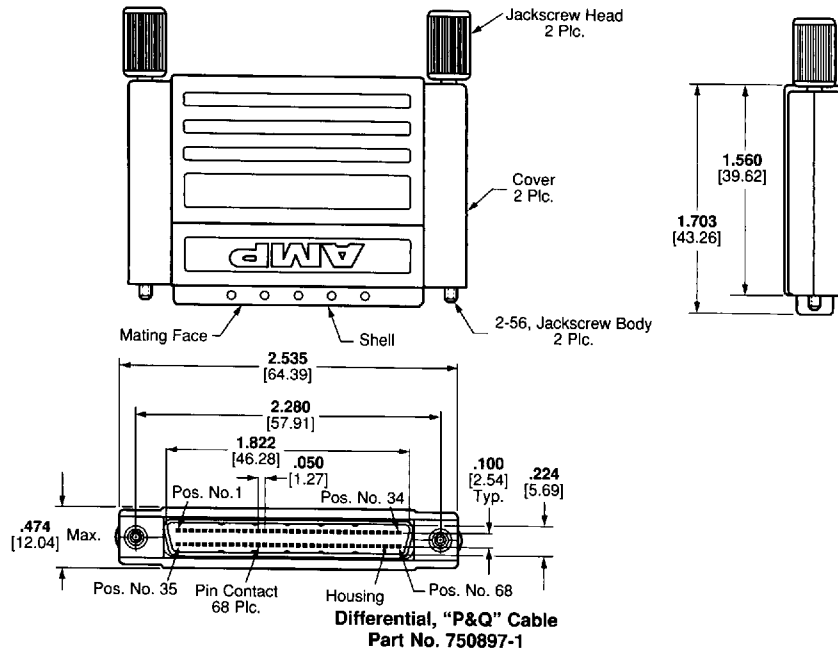
Housing—UL 94V-0 rated thermo-plastic, black

Contacts—Phosphor bronze, duplex plated .000030 [0.00076] min. gold on the mating end over .000050 [0.00127] min. nickel

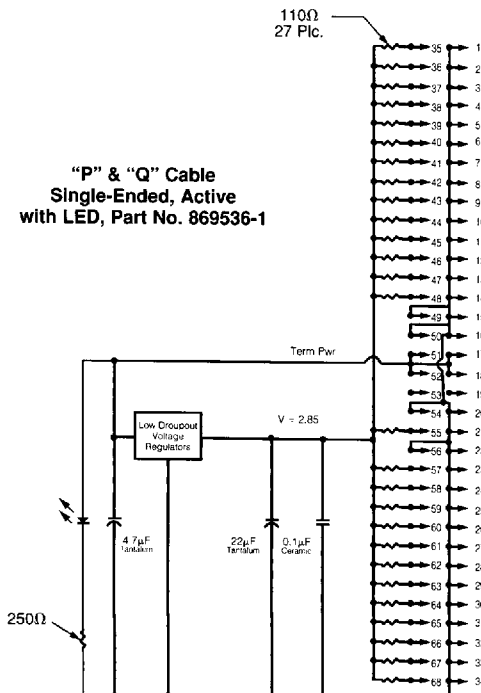
Circuitry—Thick film resistors and/or discrete components on alumina substrate or plastic laminate

Green LED Lens—Polycarbonate, clear (869536-1 only)

Jackscrew Head—PVC



"P" & "Q" Cable
Single-Ended, Active
with LED, Part No. 869536-1



"P" & "Q" Cable
Single-Ended, Active
Part No. 869535-1

