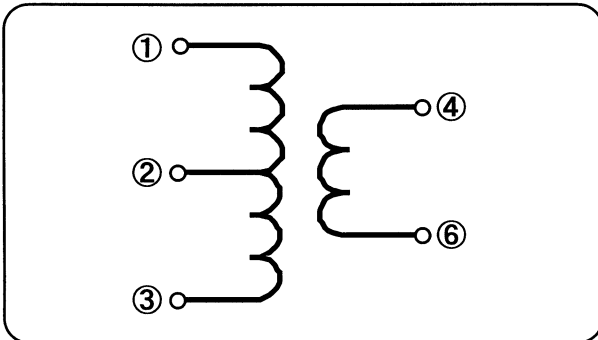


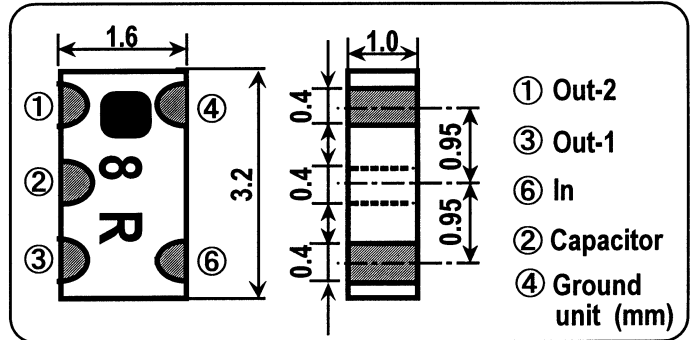
1.7 / 1.9 GHz Band Chip Multilayer RF Transformer

Model No. SLT-190R (50Ω : 200Ω)

Equivalent Circuits



Shape & Size



Specifications

Frequency Range(MHz)	Insertion Loss	Amp. Balance	Phase Balance	Handling Power	Impedance	Temperature Range
1700-1900	3.5dB Max (1dB Typ.)	3dB Max (1dB Typ.)	180±20deg. (180±10deg.Typ.)	200mW Max	50 Ω(unbalance) 200 Ω(balance)	-35 ~ +85 °C

Typical Data

