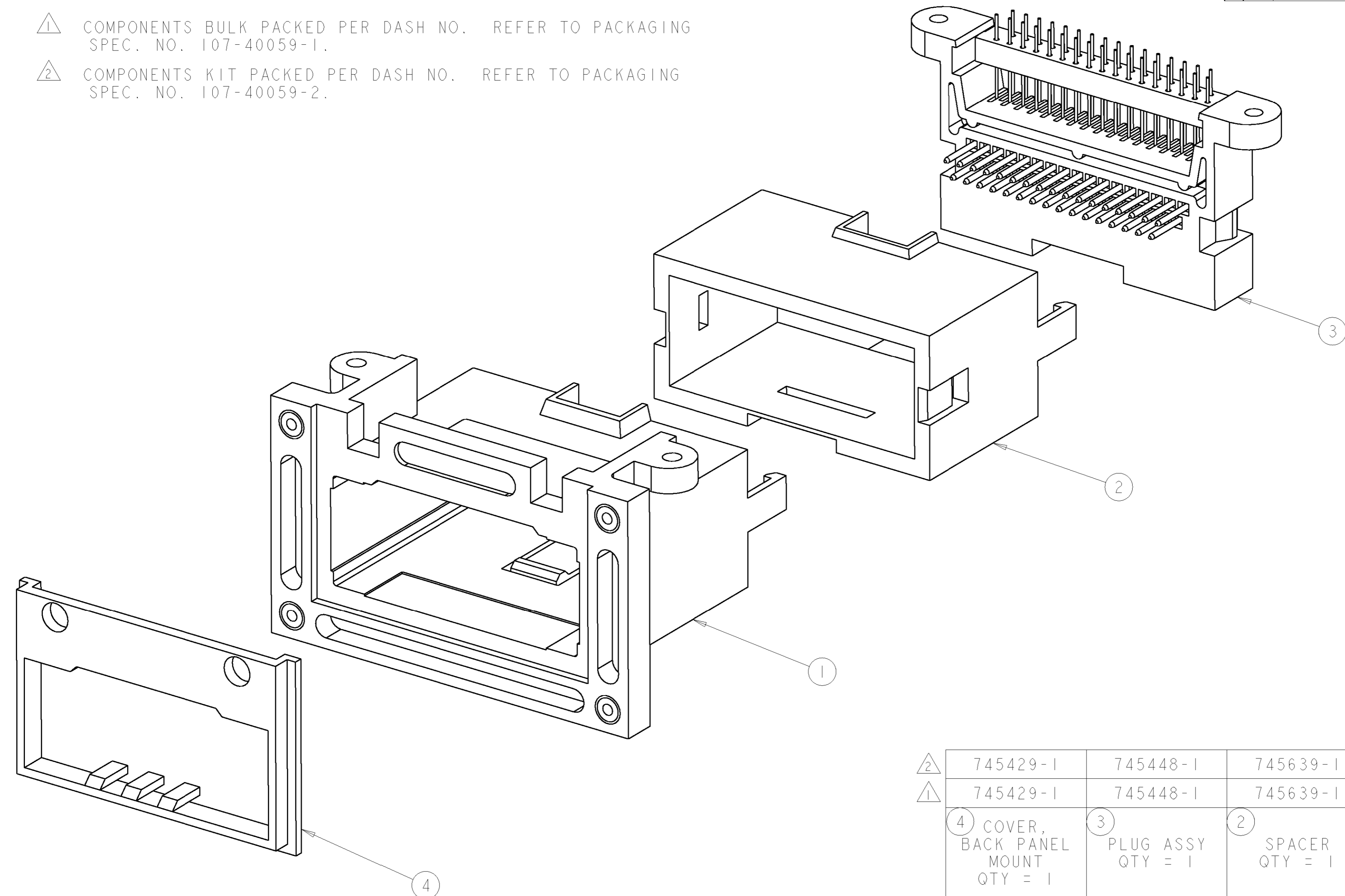


THIS DRAWING IS UNPUBLISHED. RELEASED FOR PUBLICATION 20
 © COPYRIGHT 20 BY TYCO ELECTRONICS CORPORATION. ALL RIGHTS RESERVED.

LOC		DIST		REVISIONS			
P	LTR	DESCRIPTION		DATE	DWN	APVD	
	B	REDRAWN PER OG3C-0050-01		04APR2001	RB	JO	

- ① COMPONENTS BULK PACKED PER DASH NO. REFER TO PACKAGING SPEC. NO. 107-40059-1.
- ② COMPONENTS KIT PACKED PER DASH NO. REFER TO PACKAGING SPEC. NO. 107-40059-2.



②	745429-1	745448-1	745639-1	745443-1	745641-2
①	745429-1	745448-1	745639-1	745443-1	745641-1
④	COVER, BACK PANEL MOUNT QTY = 1	③	PLUG ASSY QTY = 1	②	SPACER QTY = 1
				①	ASSY, HOLDER BODY QTY = 1
					PART NUMBER

THIS DRAWING IS A CONTROLLED DOCUMENT FOR TYCO ELECTRONICS CORPORATION. IT IS SUBJECT TO CHANGE AND THE CONTROLLING ENGINEERING ORGANIZATION SHOULD BE CONTACTED FOR THE LATEST REVISION.

DWN R BROWN	04APR2001	AMP Tyco Electronics Harrisburg, PA 17105-3608
CHK J OLSON	04APR2001	
APVD J OLSON	04APR2001	
DIMENSIONS: INCHES		NAME KIT, LONG HOLDER ASSY, AMPLIMITE CASSETTE CONN. SYSTEM
TOLERANCES UNLESS OTHERWISE SPECIFIED: 0 PLC ±- 1 PLC ±0.1 2 PLC ±0.02 3 PLC ±0.005 4 PLC ±0.0005 ANGLES ±- FINISH -		PRODUCT SPEC - APPLICATION SPEC - WEIGHT -
MATERIAL -	FINISH -	SIZE A2
CUSTOMER DRAWING		CAGE CODE 00779
SCALE 2:1		DRAWING NO. C=745641
SHEET 1		RESTRICTED TO -
OF 1		REV B

Current Brand View

AMP

[View All Tyco Electronics Brands](#)

Click to activate links to all other products

Subminiature and Microminiature D Connectors

 Adapters and Cassette Connectors

AMP

745641-2 -- 8 of 9 products

Active

[Active](#)

(Tyco Electronics P/N: 745641-2)

Previous	Next	Sales Information	AMP ACES	Step Search Screen
			Related Documents	General Information
			Pricing	Product Availability

Please use the customer drawing for all design activity.

- Customer Drawing: 745641, Rev. B**
 Document Title: KIT, LONG HOLDER ASSY, AMPLIMITE CASSETTE CONN. SYSTEM
[216752.pdf](#) [216752.pdf](#) (67K)

The photographs and/or line drawings below are representative images of a product for viewing purposes only.

[Recommended Panel Cutout](#)
[PCB Layout](#)

Searchable Features:

Brand:	AMP
Product Type:	Cassette Connector
Gender:	Plug
Shell Type:	All Plastic
Mating Connector Lock:	With
Mating Connector Lock Type:	Threaded Inserts
Product Series:	HD-20 (Solder Cup)

Other Properties:

Size:	Long
No. of Positions:	33
Keying Slot Location:	1, 2, 3
Packaging Method:	Individual Kit
Contact Material:	Brass
Contact Mating Area Plating:	Palladium
Insert Material:	Brass
Solder Tail Plating:	Tin-Lead

- [Home](#)
- [Part Number Search](#)
- [Text Search](#)
- [Alternate Part Search](#)
- [Multiple Part Comparison](#)
- [Alphabetical Search](#)
- [Brand Search](#)
- [Industry Product Search](#)
- [Product Type Search](#)
- [Product Family Search](#)
- [Competitor Cross Reference](#)
- [Document Number Search](#)
- [Lead Free Solutions](#)
- [Help/Glossary](#)

Comment:

Each kit is comprised of a holder body, rear panel mount cover, pin connector and spacer (long cartridge holder only).

[Copyright](#) and [Privacy Statement](#)

Visit [Tyco International, Ltd.](#)

[Products](#) | [eCatalog](#) | [Brands](#) | [Industries](#) | [eCommerce](#) | [Customer Service](#) | [About](#) | [Home](#)