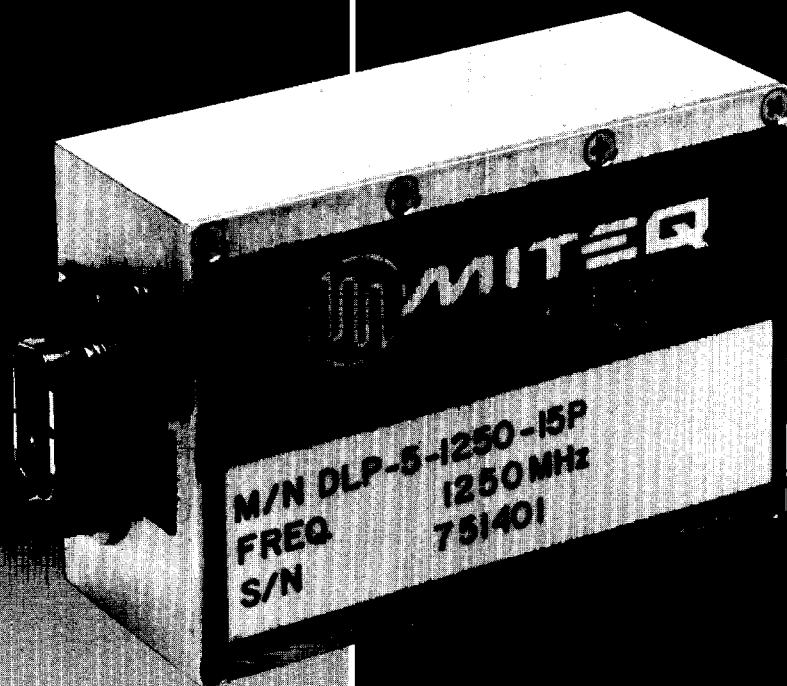


LOW PHASE NOISE 800 MHz-2.2 GHz PHASE-LOCKED COAXIAL RESONATOR OSCILLATORS, 1-20 MHz INPUT REFERENCE

• DLP Series



FEATURES

- Quality backed with standard 3-year warranty
- 100% phase noise and temperature tested
- Compact size and low cost
- Standard temperature range: -20° to +70° C
- Very low spurious outputs

OPTIONS

- Higher output power
- Dual output version with 50 dB isolation between outputs
- DC and status filtercons

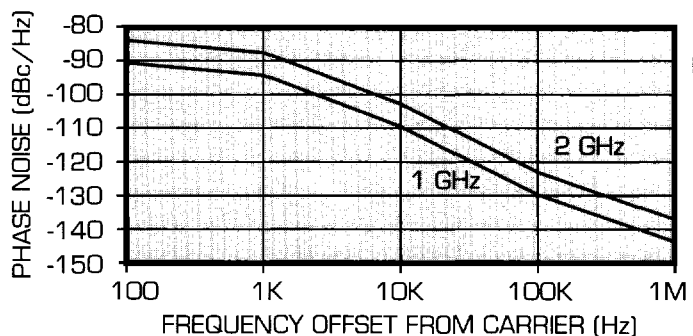
MITEQ's DLP series of phase-locked oscillators uses a low phase noise coaxial resonator design and covers the frequency range of 800 MHz to 2.2 GHz, locking to a reference input from 1 to 20 MHz. The high Q resonator allows these oscillators to offer excellent phase noise performance in a compact package. Additionally, the coaxial resonator design offers excellent stability with very low susceptibility to vibration. The DLP series offers exceptionally low spurious output levels for a digital design. A dual output version is available, and the standard DC and status interface is a 9 pin D connector, with filter feedthroughs optionally available.

ELECTRICAL SPECIFICATIONS

Output frequency range	.8-2.2 GHz
Output power	+13 dBm minimum
DC supply*	+15-28 V @ 250 mA +5 V @ 200 mA
Spurious outputs	-100 dBc maximum
Harmonics	-20 dBc maximum
Reference input	1-20 MHz
Input level	0 ±3 dBm
Input impedance	50 ohms
Output power variation	±1.5 dB maximum
Load VSWR	1.5:1 nominal

*Note: Add 100 mA @ +V for dual output

TYPICAL PHASE NOISE



MECHANICAL SPECIFICATIONS

Size	Refer to outline drawing
Weight	.5 pounds nominal
RF connectors	SMA female
DC/status connectors	9 pin filtered D (filtercons optional)

ENVIRONMENTAL SPECIFICATIONS

Temperature	Operating..... -20°C to +70°C Storage..... -45°C to +85°C
Humidity	95% at +40°C noncondensing
Shock	30 G, 10 ms
Vibration	20-2000 Hz random to 4 G

OPTIONS

Dual RF outputs
Higher output power
DC and status filtercons

ORDERING INFORMATION

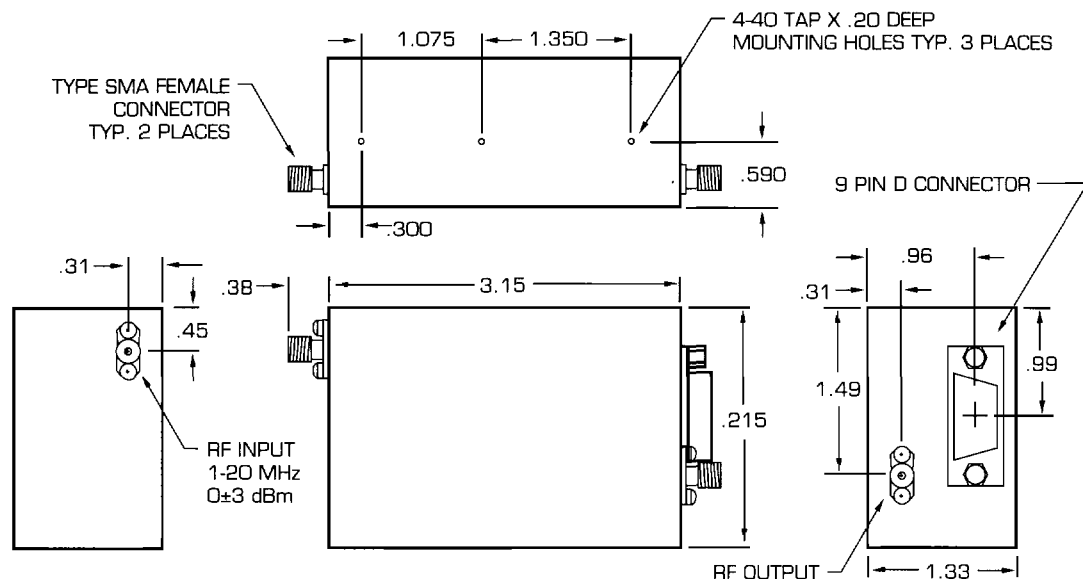
Input reference 1-20 MHz

Reference Output Frequency (MHz) Supply Voltage

DLP— — — P

For special requirements, please contact factory.

OUTLINE DRAWING



PIN	FUNCTION
1	+ V
2	VCO Ø
3	VOLTAGE ALARM
4	+5 V
5	GND
6	+ V
7	N/C
8	+5 V
9	GND