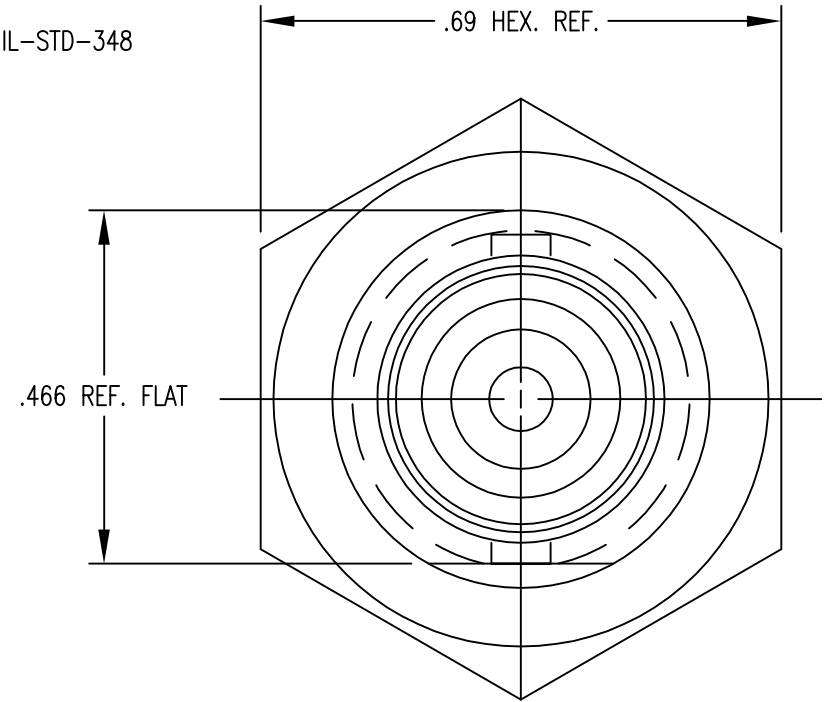
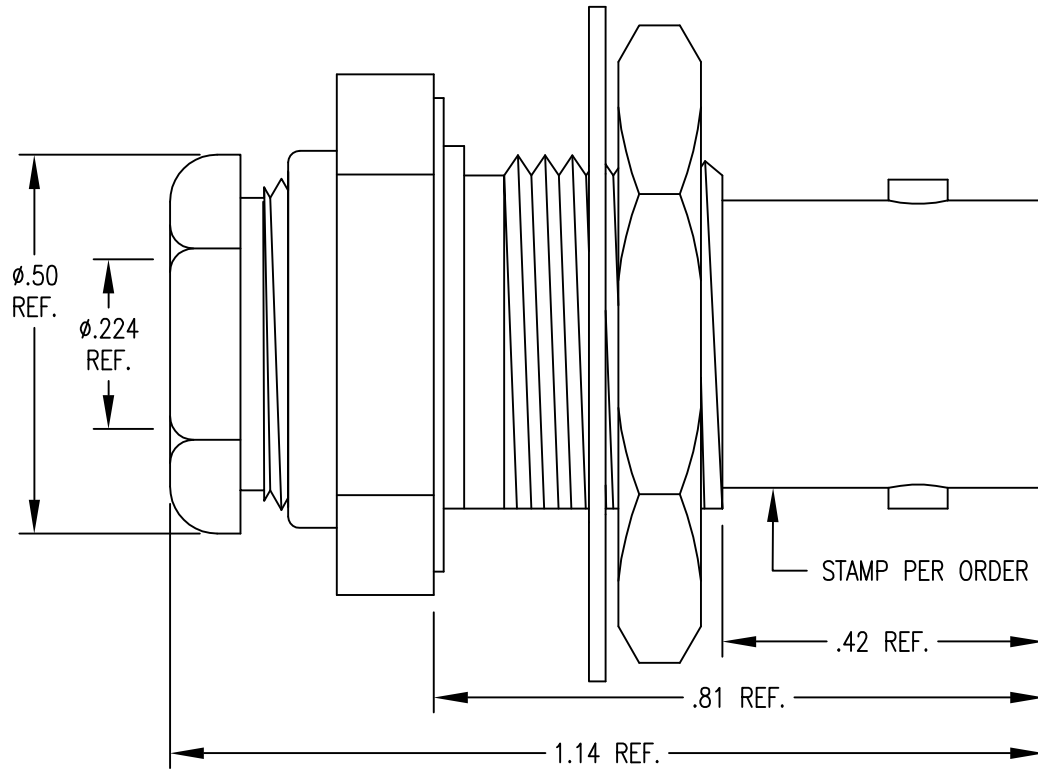


- 1.0 PERFORMANCE
- 1.1 FREQUENCY RANGE: DC-4 GHz
- 1.2 VOLTAGE RANGE: 500V RMS (sea level)
- 1.3 NOMINAL IMPEDANCE: 50 OHMS
- 1.4 DWV: 1500V RMS @ 60Hz (sea level)
- 1.5 TEMPERATURE RANGE: -65°C TO +165°C
- 2.0 MATERIALS

- 2.1 DIELECTRIC: TEFLON, ASTM-D-1710
- 2.2 CENTER CONTACT: BERYLLIUM COPPER ASTM-B-196
- 2.3 LOCKWASHER: PHOSPHOR BRONZE
- 2.4 GASKETS: SILICONE RUBBER, ZZ-R-365, GR. 50, RED
- 2.5 OTHER METAL PARTS: BRASS, ASTM-B-16
- 3.0 FINISHES
- 3.1 CENTER CONTACT: SEE TABLE
- 3.2 ALL OTHER METAL PARTS: SEE TABLE
- 4.0 MECHANICAL
- 4.1 INTERFACE IN ACCORDANCE WITH MIL-STD-348

DWG NO. OL-909B-1		REV. B
PLATING VARIATIONS		
PART NUMBER	BODY	CONTACT
UG-909B/U	NICKEL	SILVER

DO NOT SCALE DRAWING



B	FIXED DRAWING PICTORIALY		06/09/04	DT	LAP
A	ORIGINAL	NEW	05/05/00		
Rev.	Revisions	Disp.	Date	Dwn.	Appd.

THIS DRAWING CONTAINS CONFIDENTIAL INFORMATION PROPRIETARY TO SAN-TRON INC. IT MUST NOT BE REPRODUCED OR DISCLOSED TO OTHERS OR USED IN ANY OTHER WAY, IN WHOLE OR PART EXCEPT AS AUTHORIZED IN WRITING BY SAN-TRON INCORPORATED.

UNLESS OTHERWISE SPECIFIED:
ALL DIMENSIONS ARE IN INCHES.
ALL DIMENSIONS ARE AFTER PLATING.
.XXX = ±.005 ALL MACHINED SURFACES $\sqrt{63}$ MAX.
.XX = ±.01 ANG. ±1/2° FRACTIONAL = ±1/64
©.004 MAX. TIR. ⊥ AXIS .001

THIRD ANGLE PROJECTION

DWN	JMB	05/05/00
CHKD	SJS	11/27/00
APPR		

SAN-TRON, INC.
4 NEWBURYPORT TPK. IPSWICH MA USA 01938
TEL: 978 - 356 -1585 FAX: 978 - 356 -1573
WWW.santron.com E MAIL: santron@santron.com

TITLE	BNC BULKHEAD JACK FOR RG-55 58/U CABLES	
MATERIAL:	SEE NOTE 2.0	FINISH: SEE NOTE 3.0
CAGE CODE:	50896	DWG NO. OL-909B-1
SCALE	X:X	REV. B