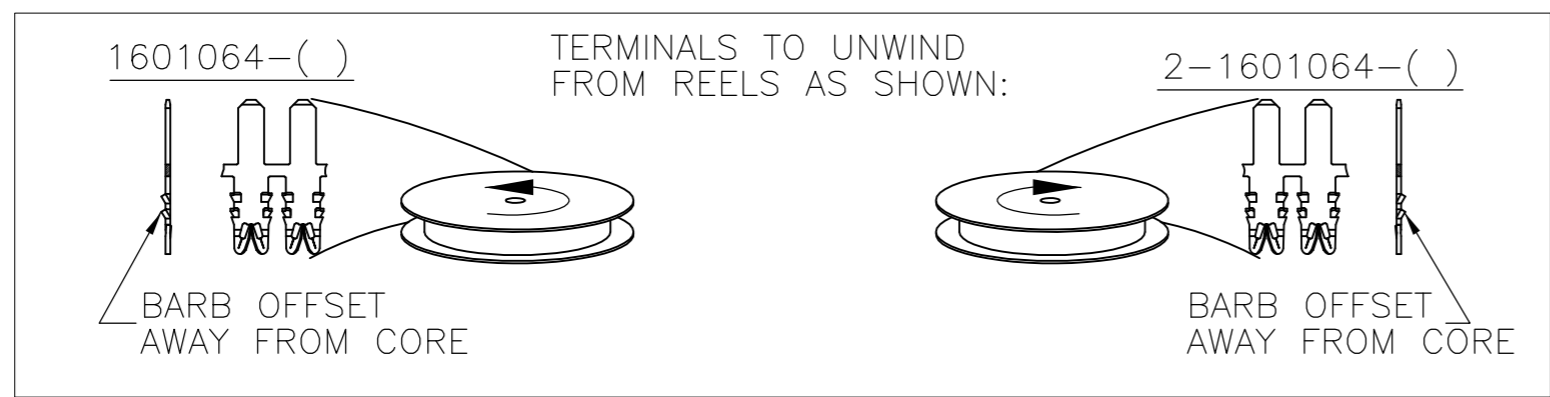
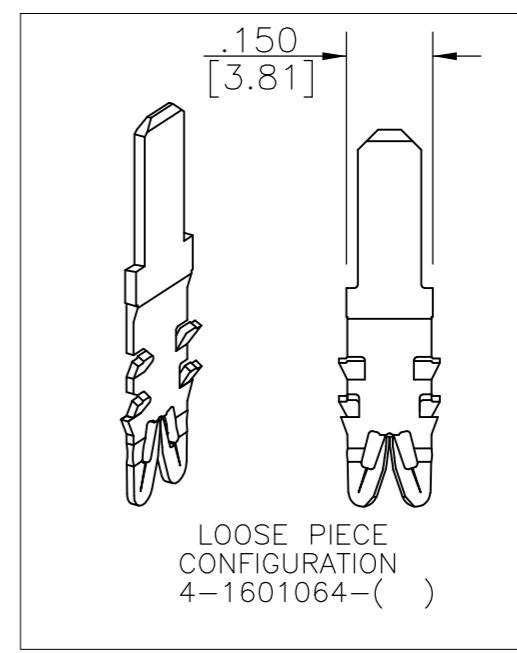
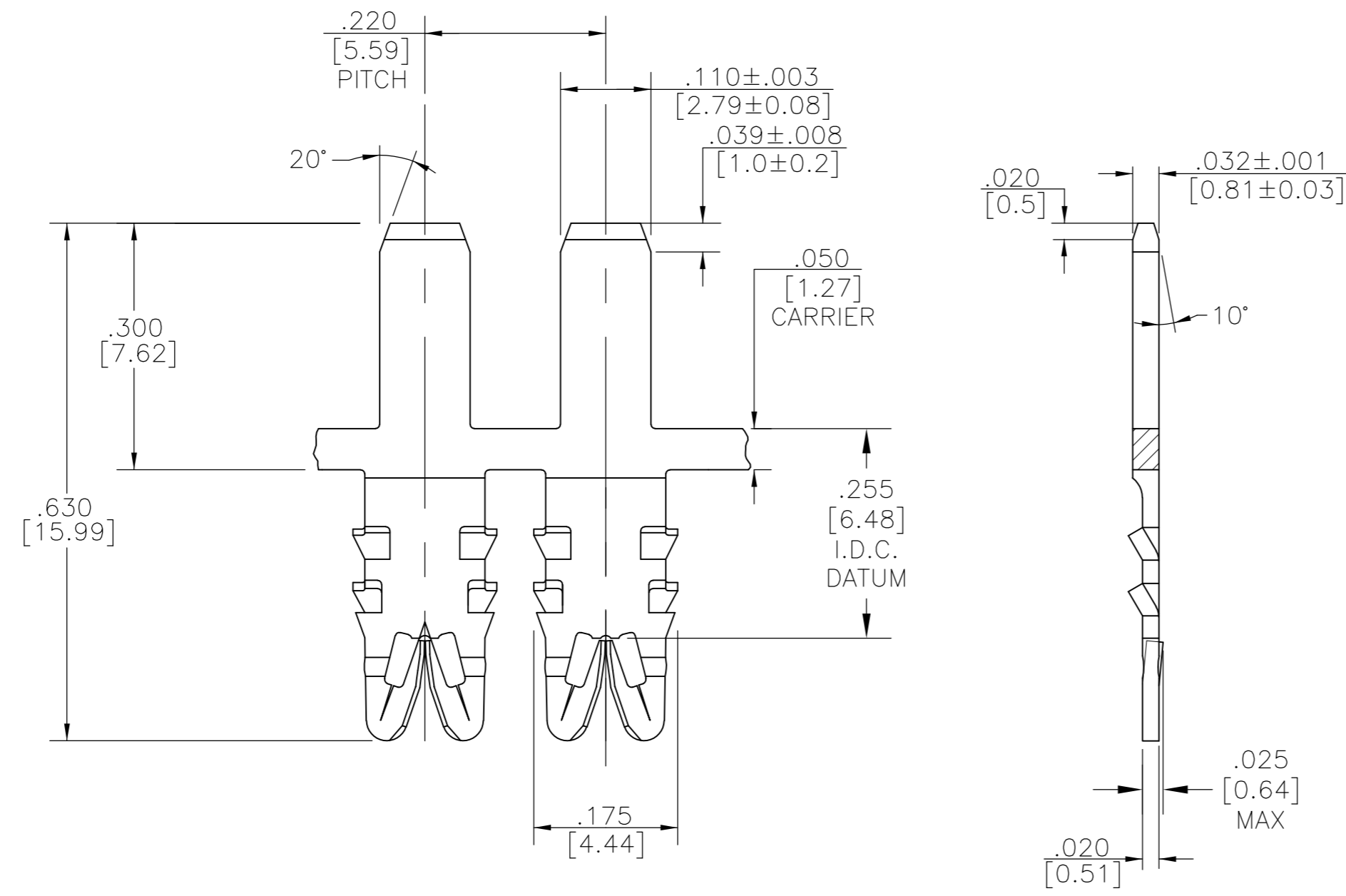


THIS DRAWING IS UNPUBLISHED. RELEASED FOR PUBLICATION
 © COPYRIGHT BY TYCO ELECTRONICS CORPORATION. ALL RIGHTS RESERVED.

LOC	DIST	REVISIONS			
P	LTR	DESCRIPTION	DATE	DWN	APVD
AF	50	D1	REVISED PER ECR-07-024005	15OCT07	HMR GJ

- SPECIFICATIONS:
MAGNET WIRE #18 - #34 AWG,
.040" (1.02MM) - .006" (0.16MM) DIA. COPPER.
OTHER SIZES MAY BE ACCOMMODATED,
CONSULT TYCO ELECTRONICS FOR APPROVAL.
- POCKET RECOMMENDATION: #1601425
- TERMINAL APPLICATION TO COMPLY WITH TYCO ELECTRONICS SPECIFICATION 114-13166 FIGURE 9.
- TERMINALS SUPPLIED ON REELS, CAN BE SUPPLIED LOOSE PIECE.



-	-	-
-	-	-
-	-	-
-	-	-
UNPLATED	-	2-1601064-1
UNPLATED	-	1601064-1
FINISH	REFERENCE PART NUMBER	TYCO PART NUMBER
THIS DRAWING IS A CONTROLLED DOCUMENT.		
DWN R FLAIG 25FEB2002	Tyco Electronics Corporation Harrisburg, PA 17105-3608	
CHK G JACONO 25FEB2002	NAME	
APVD K.RANDOLPH 25FEB2002	STD. RANGE WIRE TO .110 X .032 MULTI-BARB TAB SIAMEZE TERMINAL	
DIMENSIONS: INCHES	TOLERANCES UNLESS OTHERWISE SPECIFIED:	PRODUCT SPEC
0 PLC ± -	1 PLC ± -	108-2085
2 PLC ± .010 [0.25]	3 PLC ± .005 [0.13]	APPLICATION SPEC
4 PLC ± -	ANGLES ± 2°	3
MATERIAL BRASS, 1/2 HARD	FINISH SEE TABLE	WEIGHT -
CUSTOMER DRAWING		SCALE 6:1
SIZE A2	CAGE CODE 00779	DRAWING NO. C=1601064
RESTRICTED TO -		SHEET 1 of 1
REV D1		