

Terminal blocks

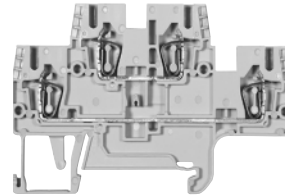
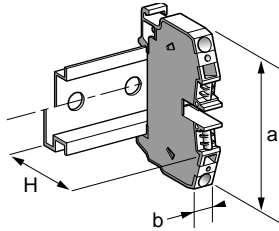
Spring technology

Double deck

Clip-on mounting on 35 mm 25 rail

Nominal c.s.a.

2.5 mm²



AB1 RRNET235U4

Dimensions in mm

Length (a)	82.2
Width (b)	5
Height (H) 25 rail	55.9
with rail	48.4

Cabling c.s.a. in mm²

Flexible cable without cable end	0.13 to 2.5
Flexible cable with cable end	0.5 to 2.5
Solid cable	0.13 to 4

Nominal electrical values

IEC/EN 60947-7-1	500 V / 6 kV / 24 A
UL	22 - 12 AWG, 300 V, 20 A
CSA	22 - 12 AWG, 300 V, 24 A
UTE, category C	-
VDE, group C	500 V / 24 A

Certifications

See pages 13606/4 and 13606/5

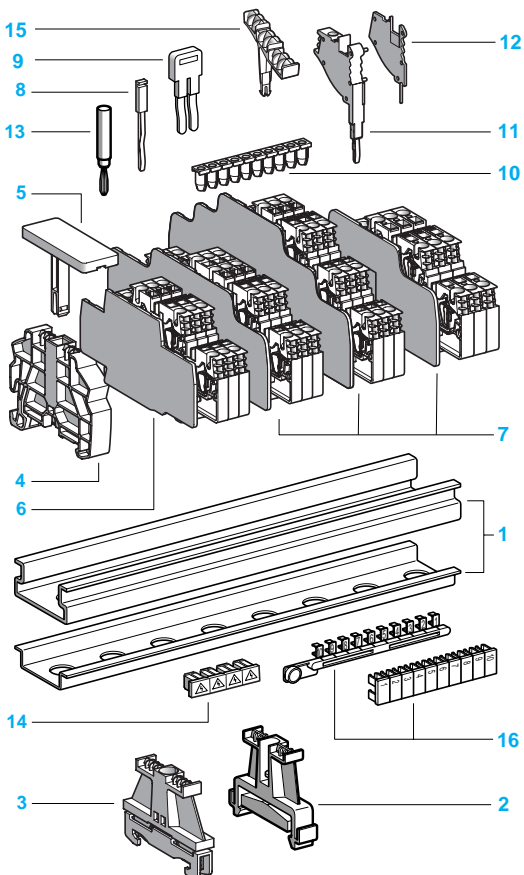
Terminal blocks

	No. points	Sold in lots of	Unit reference	Weight g
Grey	2/2	100	AB1 RRNET235U4	11.4

Accessories (Dimensions in mm)

2	Plastic end stop with screw	Width 8 on 25 or rail	-	100	AB1 AB8P35	5.9
3	Metal end stop with screw	Width 8 on 25 or rail	-	100	AB1 AB8M35	14.8
4	Clip-on plastic end stop	Width 8 on 25 or rail	-	100	AB1 AB8R35	5.9
5	Marker tag holder for clip-on plastic end stop		-	10	AB1 SB4	3.1
6	End plate	Grey (thickness 1.5)	-	10	AB1 RRNACE244	4.6
7	Partition plate	Grey (thickness 1.5)	-	10	AB1 RRNASE244	5.5
8	Vertical	1-pole	-	20	AB1 RRAL1	0.7
9	Insulated	2-pole	-	10	AB1 RRAL22	1.1
		3-pole	-	10	AB1 RRAL23	1.7
		4-pole	-	10	AB1 RRAL24	2.2
		5-pole	-	10	AB1 RRAL25	2.8
		10-pole	-	20	AB1 RRAL210	5.6
10	Wire guide entry strip	0.13 - 0.2 mm ² White	-	100	AB1 RRNGF01	0.9
		0.25 - 0.5 mm ² Grey	-	100	AB1 RRNGF02	0.9
		0.75 - 1 mm ² Black	-	100	AB1 RRNGF03	0.9
11	Modular test connector		-	10	AB1 AT3	2.4
12	Modular test connector end plate		-	10	AB1 AC3	0.4
13	Test plug (red)		-	10	AB1 AT1	1.9
14	"Danger" live terminals cover		4	10	AB1 RRNCS2	0.3
15	Marker tag holder		-	100	AB1 SB5	0.4
16	Marking accessories		See pages 13511/2 and 13511/3			

524045

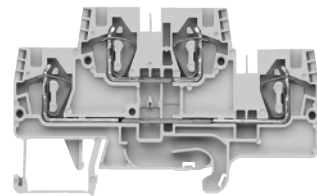
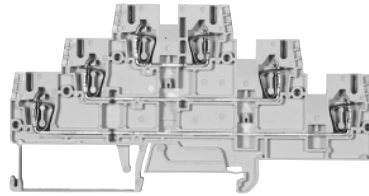
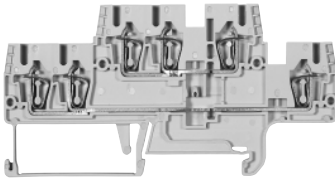


Clip-on mounting on 35 mm 𐀀𐀀 rails

2.5 mm²

2.5 mm²

4 mm²



AB1 RRNET235U6

AB1 RRNET235T6

AB1 RRNET435U4

107.5
5
55.9
48.4
0.13 to 2.5
0.5 to 2.5
0.13 to 4
500 V / 6 kV / 22 A
22 - 12 AWG, 300 V, 20 A
22 - 12 AWG, 300 V, 24 A
-
500 V / 22 A
See pages 13606/4 and 13606/5

123.1
5
66.2
58.7
0.13 to 2.5
0.5 to 2.5
0.13 to 4
500 V / 6 kV / 20 A
22 - 12 AWG, 300 V, 20 A
22 - 12 AWG, 300 V, 24 A
-
500 V / 20 A
See pages 13606/4 and 13606/5

90.1
6
55.95
48.45
0.13 to 4
0.5 to 4
0.13 to 6
500 V / 6 kV / 32 A
24 - 10 AWG, 300 V, 30 A
24 - 12 AWG, 300 V, 32 A
-
500 V / 32 A
See pages 13606/4 and 13606/5

Terminal blocks

No. points	Sold in lots of	Unit reference	Weight g	No. points	Sold in lots of	Unit reference	Weight g	No. points	Sold in lots of	Unit reference	Weight g
3/3	50	AB1 RRNET235U6	19.7	2/2/2	50	AB1 RRNET235T6	14.0	2/2	100	AB1 RRNET435U4	16.1

Accessories (Dimensions in mm)

-	100	AB1 AB8P35	5.9	-	100	AB1 AB8P35	5.9	-	100	AB1 AB8P35	5.9
-	100	AB1 AB8M35	14.8	-	100	AB1 AB8M35	14.8	-	100	AB1 AB8M35	14.8
-	100	AB1 AB8R35	5.9	-	100	AB1 AB8R35	5.9	-	100	AB1 AB8R35	5.9
-	10	AB1 SB4	3.1	-	10	AB1 SB4	3.1	-	10	AB1 SB4	3.1
-	10	AB1 RRNACE246	5.7	-	10	AB1 RRNACTE246	7.6	-	10	AB1 RRNACE444	5.2
-	10	AB1 RRNASE246	9.8	-	10	AB1 RRNASTE246	8.6	-	10	AB1 RRNASE444	6.2
-	20	AB1 RRAL1	0.7	-	20	AB1 RRAL1	0.7	-	20	AB1 RRAL1	0.7
-	10	AB1 RRAL22	1.1	-	10	AB1 RRAL22	1.1	-	10	AB1 RRAL42	1.7
-	10	AB1 RRAL23	1.7	-	10	AB1 RRAL23	1.7	-	10	AB1 RRAL43	2.5
-	10	AB1 RRAL24	2.2	-	10	AB1 RRAL24	2.2	-	10	AB1 RRAL44	3.3
-	10	AB1 RRAL25	2.8	-	10	AB1 RRAL25	2.8	-	10	AB1 RRAL45	4.1
-	20	AB1 RRAL210	5.6	-	20	AB1 RRAL210	5.6	-	20	AB1 RRAL410	8.3
-	100	AB1 RRNGF01	0.9	-	100	AB1 RRNGF01	0.9	-	100	AB1 RRNGF11	0.8
-	100	AB1 RRNGF02	0.9	-	100	AB1 RRNGF02	0.9	-	100	AB1 RRNGF22	0.8
-	100	AB1 RRNGF03	0.9	-	100	AB1 RRNGF03	0.9	-	100	AB1 RRNGF33	0.8
-	10	AB1 AT3	2.4	-	10	AB1 AT3	2.4	-	10	AB1 AT3	2.4
-	10	AB1 AC3	0.4	-	10	AB1 AC3	0.4	-	10	AB1 AC3	0.4
-	10	AB1 AT1	1.9	-	10	AB1 AT1	1.9	-	10	AB1 AT1	1.9
4	10	AB1 RRNCS2	0.3	4	10	AB1 RRNCS2	0.3	4	100	AB1 RRCS4	0.4
-	100	AB1 SB5	0.4	-	100	AB1 SB6	0.3	-	100	AB1 SB5	0.4

See pages 13511/2 and 13511/3

See pages 13511/2 and 13511/3

See pages 13511/2 and 13511/3

Terminal blocks

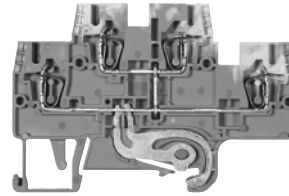
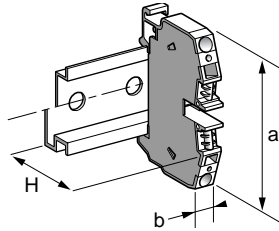
Spring technology

Double deck, for protective earth

Clip-on mounting on 35 mm $\Sigma 5$ rails

Nominal c.s.a.

2.5 mm²



AB1 RRNETP235U4

Dimensions in mm

Length (a)	82.2
Width (b)	5
Height (H) 1 rail	55.9
with rail	48.4

Cabling c.s.a. in mm²

Flexible cable without cable end	0.13 to 2.5
Flexible cable with cable end	0.5 to 2.5
Solid cable	0.13 to 4

Nominal electrical values

IEC/EN 60947-7-1	500 V / 6 kV / 24 A
UL	22 - 12 AWG, 300 V, 20 A
CSA	22 - 12 AWG, 300 V, 24 A
UTE, category C	-
VDE, group C	500 V / 24 A

Certifications

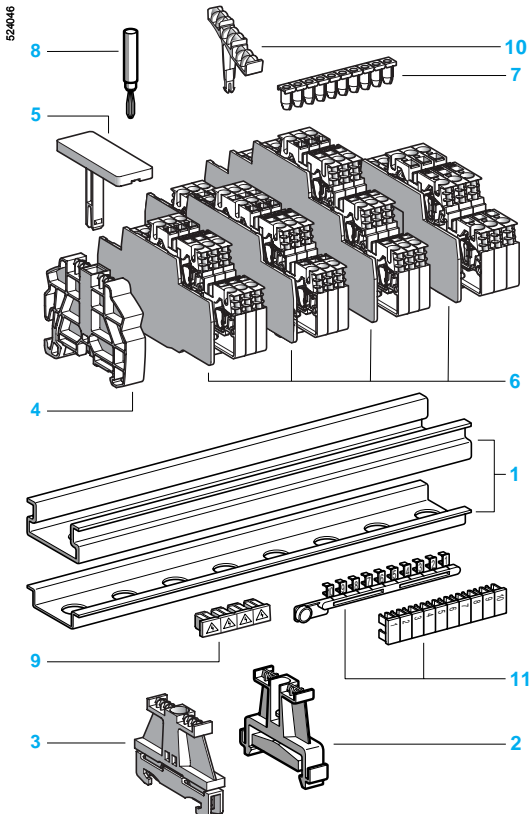
See pages 13606/4 and 13606/5

Terminal blocks

	No. points	Sold in lots of	Unit reference	Weight g
Grey	4	100	AB1 RRNETP235U4	14.0

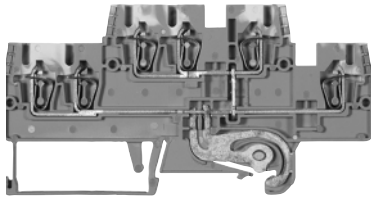
Accessories (Dimensions in mm)

2	Plastic end stop with screw	Width 8 on $\Sigma 5$ or $\Sigma 7$	-	100	AB1 AB8P35	5.9
3	Metal end stop with screw	Width 8 on $\Sigma 5$ or $\Sigma 7$	-	100	AB1 AB8M35	14.8
4	Clip-on plastic end stop	Width 8 on $\Sigma 5$ or $\Sigma 7$	-	100	AB1 AB8R35	5.9
5	Marker tag holder for clip-on plastic end stop		-	10	AB1 SB4	3.1
6	End plate	Grey (thickness 1.5)	-	10	AB1 RRACETP244	4.6
7	Wire guide entry strip	0.13 - 0.2 mm ² White 0.25 - 0.5 mm ² Grey 0.75 - 1 mm ² Black	-	100	AB1 RRNGF01 AB1 RRNGF02 AB1 RRNGF03	0.9 0.9 0.9
8	Test plug (red)		-	10	AB1 AT1	1.9
9	"Danger" live terminals cover		4	10	AB1 RRNCS2	0.3
10	Marker tag holder		-	100	AB1 SB5	0.4
11	Marking accessories		See pages 13511/2 and 13511/3			



Clip-on mounting on 35 mm 5 rails

2.5 mm²



AB1 RRNETP235U6

107.5

5

55.9

48.4

0.13 to 2.5

0.5 to 2.5

0.13 to 4

500 V / 6 kV / 22 A

22 - 12 AWG, 300 V, 20 A

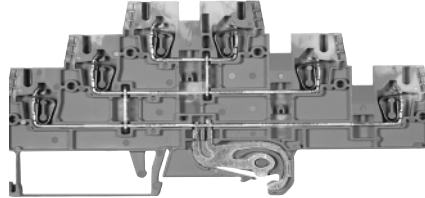
22 - 12 AWG, 300 V, 24 A

-

500 V / 22 A

See pages 13606/4 and 13606/5

2.5 mm²



AB1 RRNETP235T6

123.1

5

66.2

58.7

0.13 to 2.5

0.5 to 2.5

0.13 to 4

500 V / 6 kV / 20 A

22 - 12 AWG, 300 V, 20 A

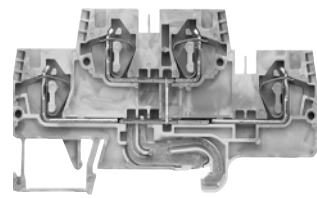
22 - 12 AWG, 300 V, 24 A

-

500 V / 20 A

See pages 13606/4 and 13606/5

4 mm²



AB1 RRNETP435U4

90.1

6

55.95

48.45

0.13 to 4

0.5 to 4

0.13 to 6

500 V / 6 kV / 32 A

24 - 10 AWG, 300 V, 30 A

24 - 10 AWG, 300 V, 32 A

-

500 V / 32 A

See pages 13606/4 and 13606/5

Terminal blocks

No. points	Sold in lots of	Unit reference	Weight g	No. points	Sold in lots of	Unit reference	Weight g	No. points	Sold in lots of	Unit reference	Weight g
6	50	AB1 RRNETP235U6	19.7	6	50	AB1 RRNETP235T6	22.2	4	100	AB1 RRNETP435U4	18.7

Accessories (Dimensions in mm)

-	100	AB1 AB8P35	5.9	-	100	AB1 AB8P35	5.9	-	100	AB1 AB8P35	5.9
-	100	AB1 AB8M35	14.8	-	100	AB1 AB8M35	14.8	-	100	AB1 AB8M35	14.8
-	100	AB1 AB8R35	5.9	-	100	AB1 AB8R35	5.9	-	100	AB1 AB8R35	5.9
-	10	AB1 SB4	3.1	-	10	AB1 SB4	3.1	-	10	AB1 SB4	3.1
-	10	AB1 RRNACTETP246	5.7	-	10	AB1 RRNACTETP246	7.6	-	10	AB1 RRNACTETP444	5.2
-	100	AB1 RRNGF01	0.9	-	100	AB1 RRNGF01	0.9	-	100	AB1 RRNGF11	0.8
-	100	AB1 RRNGF02	0.9	-	100	AB1 RRNGF02	0.9	-	100	AB1 RRNGF22	0.8
-	100	AB1 RRNGF03	0.9	-	100	AB1 RRNGF03	0.9	-	100	AB1 RRNGF33	0.8
-	10	AB1 AT1	1.9	-	10	AB1 AT1	1.9	-	10	AB1 AT1	1.9
4	10	AB1 RRNCS2	0.3	4	10	AB1 RRNCS2	0.3	4	100	AB1 RRCS4	0.4
-	100	AB1 SB5	0.4	-	100	AB1 SB6	0.3	-	100	AB1 SB5	0.4
See pages 13511/2 and 13511/3				See pages 13511/2 and 13511/3				See pages 13511/2 and 13511/3			

Terminal blocks

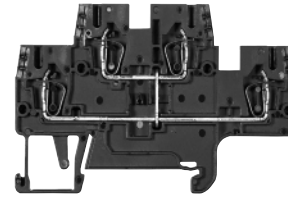
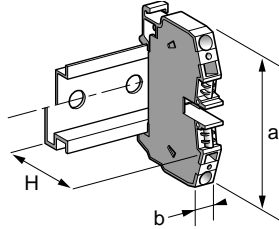
Spring technology

Double deck, with vertical connection

Clip-on mounting on 35 mm \mathcal{E} rails

Nominal c.s.a.

2.5 mm²



AB1 RRNETV235U4

Dimensions in mm

Length (a)	82.2
Width (b)	5
Height (H)	55.9
with \mathcal{E} rail	48.4

Cabling c.s.a. in mm²

Flexible cable without cable end	0.13 to 2.5
Flexible cable with cable end	0.5 to 2.5
Solid cable	0.13 to 4

Nominal electrical values

IEC/EN 60947-7-1	500 V / 6 kV / 24 A
UL	22 - 12 AWG, 300 V, 20 A
CSA	22 - 12 AWG, 300 V, 24 A
UTE, category C	-
VDE, group C	500 V / 24 A

Certifications

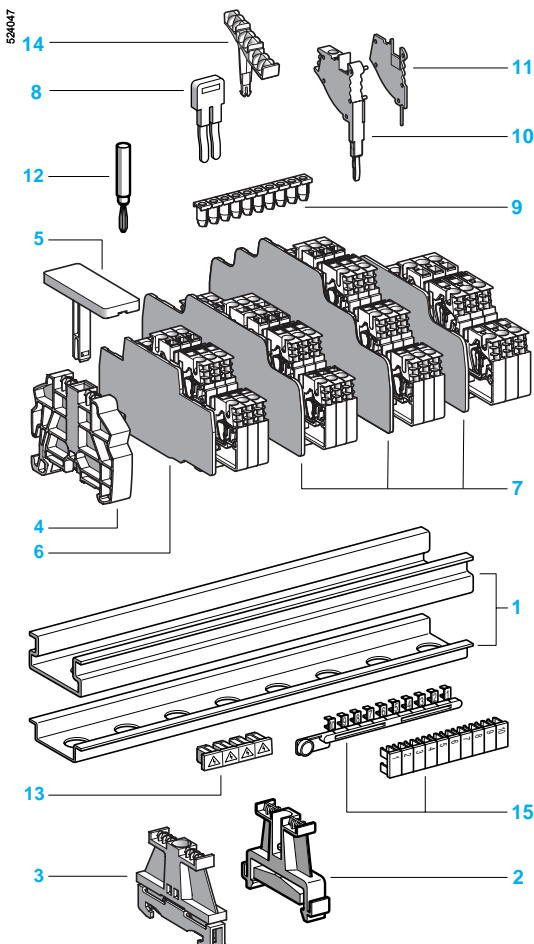
See pages 13606/4 and 13606/5

Terminal blocks

No. points	Sold in lots of	Unit reference	Weight g
4	100	AB1 RRNETV235U4	11.7

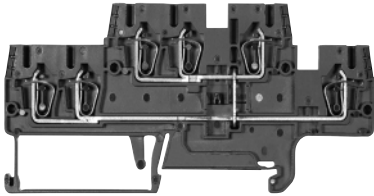
Accessories (Dimensions in mm)

2	Plastic end stop with screw	Width 8 on \mathcal{E} or \mathcal{E}	-	100	AB1 AB8P35	5.9
3	Metal end stop with screw	Width 8 on \mathcal{E} or \mathcal{E}	-	100	AB1 AB8M35	14.8
4	Clip-on plastic end stop	Width 8 on \mathcal{E} or \mathcal{E}	-	100	AB1 AB8R35	5.9
5	Marker tag holder for clip-on plastic end stop		-	10	AB1 SB4	3.1
6	End plate	Grey (thickness 1.5)	-	10	AB1 RRNACE244	4.6
7	Partition plate	Grey	-	10	AB1 RRNASE244	5.5
8	Insulated commoning link	2-pole	-	10	AB1 RRAL22	1.1
		3-pole	-	10	AB1 RRAL23	1.7
		4-pole	-	10	AB1 RRAL24	2.2
		5-pole	-	10	AB1 RRAL25	2.8
		10-pole	-	20	AB1 RRAL210	5.6
9	Wire guide entry strip	0.13 - 0.2 mm ² White	-	100	AB1 RRNGF01	0.9
		0.25 - 0.5 mm ² Grey	-	100	AB1 RRNGF02	0.9
		0.75 - 1 mm ² Black	-	100	AB1 RRNGF03	0.9
10	Modular test connector		-	10	AB1 AT3	2.4
11	Modular test connector end plate		-	10	AB1 AC3	0.4
12	Test plug (red)		-	10	AB1 AT1	1.9
13	"Danger" live terminals cover		4	10	AB1 RRNCS2	0.3
14	Marker tag holder		-	100	AB1 SB5	0.4
15	Marking accessories		See pages 13511/2 and 13511/3			



Clip-on mounting on 35 mm 𐀀𐀀𐀀 rails

2.5 mm²



AB1 RRNETV235U6

107.5

5

55.9

48.4

0.13 to 2.5

0.5 to 2.5

0.13 to 4

500 V / 6 kV / 22 A

22 - 12 AWG, 300 V, 20 A

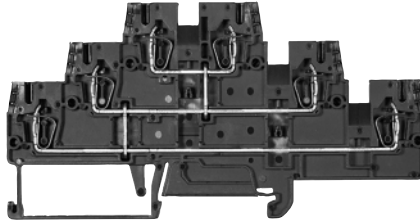
22 - 12 AWG, 300 V, 24 A

–

500 V / 22 A

See pages 13606/4 and 13606/5

2.5 mm²



AB1 RRNETV235T6

123.1

5

66.2

58.7

0.13 to 2.5

0.5 to 2.5

0.13 to 4

500 V / 6 kV / 20 A

22 - 12 AWG, 300 V, 20 A

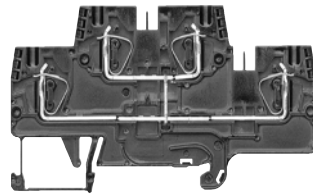
22 - 12 AWG, 300 V, 24 A

–

500 V / 20 A

See pages 13606/4 and 13606/5

4 mm²



AB1 RRNETV435U4

90.1

6

55.95

48.45

0.13 to 4

0.5 to 4

0.13 to 6

500 V / 6 kV / 32 A

24 - 10 AWG, 300 V, 30 A

24 - 10 AWG, 300 V, 32 A

–

500 V / 32 A

See pages 13606/4 and 13606/5

Terminal blocks

No. points	Sold in lots of	Unit reference	Weight g	No. points	Sold in lots of	Unit reference	Weight g	No. points	Sold in lots of	Unit reference	Weight g
6	50	AB1 RRNETV235U6	17.2	6	50	AB1 RRNETV235T6	20.3	4	100	AB1 RRNETV435U4	16.6

Accessories (Dimensions in mm)

–	100	AB1 AB8P35	5.9	–	100	AB1 AB8P35	5.9	–	100	AB1 AB8P35	5.9
–	100	AB1 AB8M35	14.8	–	100	AB1 AB8M35	14.8	–	100	AB1 AB8M35	14.8
–	100	AB1 AB8R35	5.9	–	100	AB1 AB8R35	5.9	–	100	AB1 AB8R35	5.9
–	10	AB1 SB4	3.1	–	10	AB1 SB4	3.1	–	10	AB1 SB4	3.1
–	10	AB1 RRNACE246	5.7	–	10	AB1 RRNACE246	7.6	–	10	AB1 RRNACE444	5.2
–	10	AB1 RRNASE246	9.8	–	10	AB1 RRNASE246	8.6	–	10	AB1 RRNASE444	6.2
–	10	AB1 RRAL22	1.1	–	10	AB1 RRAL22	1.1	–	10	AB1 RRAL42	1.7
–	10	AB1 RRAL23	1.7	–	10	AB1 RRAL23	1.7	–	10	AB1 RRAL43	2.5
–	10	AB1 RRAL24	2.2	–	10	AB1 RRAL24	2.2	–	10	AB1 RRAL44	3.3
–	10	AB1 RRAL25	2.8	–	10	AB1 RRAL25	2.8	–	10	AB1 RRAL45	4.1
–	20	AB1 RRAL210	5.6	–	20	AB1 RRAL210	5.6	–	20	AB1 RRAL410	8.3
–	100	AB1 RRNGF01	0.9	–	100	AB1 RRNGF01	0.9	–	100	AB1 RRNGF11	0.8
–	100	AB1 RRNGF02	0.9	–	100	AB1 RRNGF02	0.9	–	100	AB1 RRNGF22	0.8
–	100	AB1 RRNGF03	0.9	–	100	AB1 RRNGF03	0.9	–	100	AB1 RRNGF33	0.8
–	10	AB1 AT3	2.4	–	10	AB1 AT3	2.4	–	10	AB1 AT3	2.4
–	10	AB1 AC3	0.4	–	10	AB1 AC3	0.4	–	10	AB1 AC3	0.4
–	10	AB1 AT1	1.9	–	10	AB1 AT1	1.9	–	10	AB1 AT1	1.9
4	10	AB1 RRNCS2	0.3	4	100	AB1 RRNCS2	0.3	4	100	AB1 RRCS4	0.4
–	100	AB1 SB5	0.4	–	100	AB1 SB6	0.3	–	100	AB1 SB5	0.4

See pages 13511/2 and 13511/3

See pages 13511/2 and 13511/3

See pages 13511/2 and 13511/3