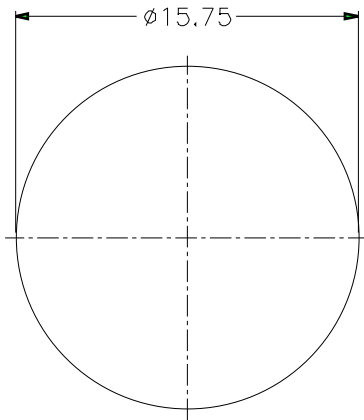
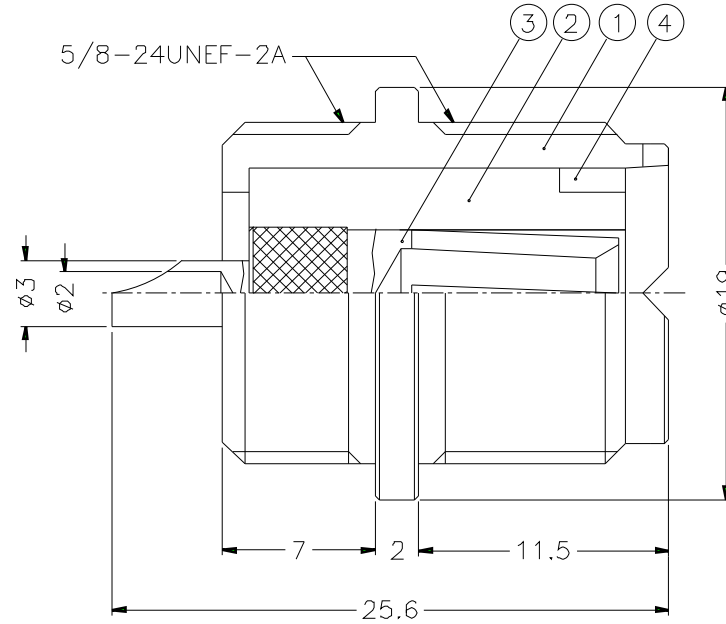


		1		2		3		4		5		6		7		8	
REVISIONS																	
ISS	ZONE	DESCRIPTION\PER REQUEST\DATE															

REMARK: CONTACT PIN TO WITHSTAND 4 INCH-OUNCE RADIAL FORCE.



RECOMMENDED MOUNTING HOLE



NOTES: FINISH (PLATING THICKNESS IN MICRO-INCHES)
 1. BRASS PER QQ-B-626
 2. NICKEL PL. 100 MIN. THICK OVER COPPER STRIKE
 3. TEFLON MIL-P-19468

DIMENSIONS ARE IN MILLIMETERS				PART NO. U6451A1-002-NTN	
UNLESS OTHERWISE SPECIFIED TOLERANCES 0.5-6 = ±0.2 6-30 = ±0.4 30-120 = ±0.6 120-315 = ±1 315-1000 = ±1.6 1000-2000 = ±2.4				APPROVED	DATE 10-11-01'
				CHECKED	DATE 10-11-01'
				DRAWN	DATE 10-11-01'
				FILE NO.	

Amphenol	
TITLE UHF BULKHEAD RECEPT. JACK	
DRAWING NO.	
ITEM NO.	

4	RING	NOTE 1	NOTE 2	1	U7900-4
3	CONTACT PIN	NOTE 1	NOTE 2	1	U6451A1-002-3
2	INSULATOR	NOTE 3	NATURAL	1	U6451A1-002-2
1	BODY	NOTE 1	NOTE 2	1	U6451A1-002-1
NO.	DESCRIPTION	MATERIAL	FINISH	Q'TY	DRAWING NO.

1	2	3	4	5	6	7	8
---	---	---	---	---	---	---	---