

### Features

- For use with Analog Device's AD20msp930 ADSL chipsets
- Excellent Total Harmonic Distortion (THD) performance
- Thru-hole package and small size
- Designed to meet UL1950 and EN60950 supplementary insulation requirements for operating voltages up to 250 Vrms

- Operating temperature -40 °C to +85 °C
- Lead free version available (see How to Order)
- Lead free versions are RoHS compliant\*

### Applications

- ADSL - Analog AD20msp930

## PT563-1 & PT564-1 ADSL Line Transformers

### Electrical Specifications @ 25 °C

Turns Ratio (1-4):(10-7)  
 PT563-1 .....1:1.1 ±2 %  
 PT564-1 .....1:1.2 ±2 %

OCL @ 10 kHz, 0.1 V  
 (1-4) with (2-3) shorted  
 PT563-1 .....1.75 mH min.  
 PT564-1 .....1.75 mH min.  
 (10-7) with (8-9) shorted  
 PT563-1 .....2.03 mH min.  
 PT564-1 .....2.42 mH min.

Leakage Inductance @ 100 kHz 0.1 V  
 (1-4) with (2-3), (8-9), (10-7) shorted  
 .....7.5 µH max.

Longitudinal Balance  
 10 kHz to 1.1 MHz .....50 dB min.

Insertion Loss @ 300 kHz  
 .....< 0.5 dB

Isolation Voltage .....1500 Vrms max.

DC Resistance  
 (1-4) .....1.5 Ω max.  
 (10-7) .....1.3 Ω max.

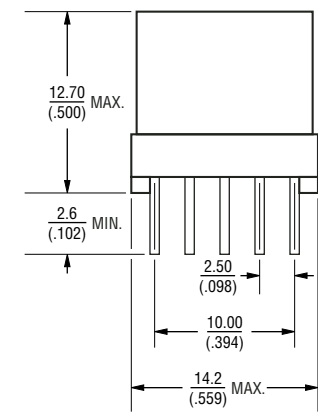
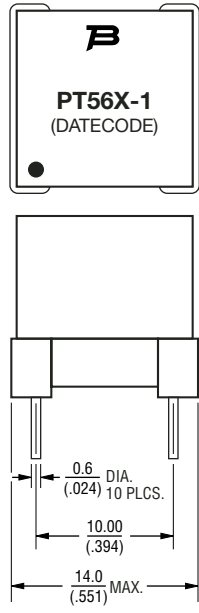
THD Linearity @ 30 kHz  
 .....-80 dB typ.

Application  
 PT563-1 .....CO  
 PT564-1 .....CPE

### Packaging Specifications

Tray .....60 pcs./tray

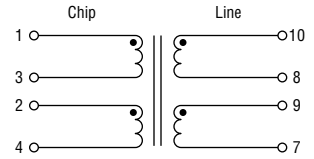
### Product Dimensions



DIMENSIONS ARE:  $\frac{\text{MM}}{\text{(INCHES)}}$

TOLERANCE:  $\pm \frac{0.25}{(.010)}$

### Electrical Schematic



### How to Order

Model: \_\_\_\_\_ **PT56x-1**

Termination: \_\_\_\_\_  
 Blank = Tin-lead  
 L = Tin only (lead free)