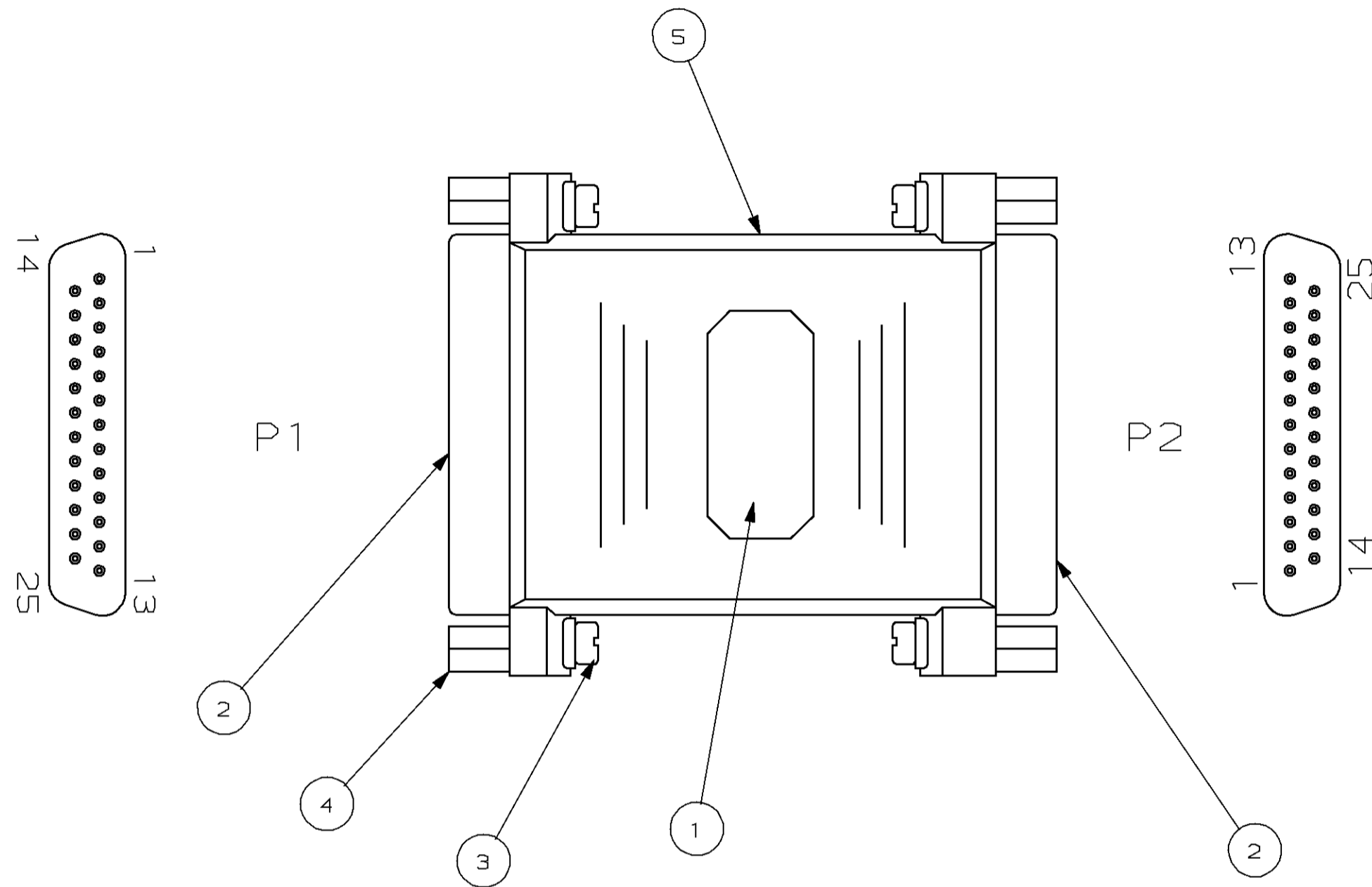


THIS DRAWING IS UNPUBLISHED. RELEASED FOR PUBLICATION
 © COPYRIGHT 19 BY AMP INCORPORATED. ALL RIGHTS RESERVED.

LOC	DIST	REVISIONS			
P	LTR	DESCRIPTION	DATE	DWN	APVD
CF	39	0	REL PER NPR	12-3-96	VEC RC



P1 POSN		P2 POSN
1		1
2		2
3		3
4		4
5		5
6		6
7		7
8		8
9		9
10		10
11		11
12		12
13		13
14		14

P1 POSN		P2 POSN
15		15
16		16
17		17
18		18
19		19
20		20
21		21
22		22
23		23
24		24
25		25
SHELL		SHELL VIA DRAIN

1. 28 AWG, STRANDED TINNED COPPER, 25 CONDUCTOR WITH DRAIN, 100% ALUMINUM MYLAR FOIL PLUS 10% NOMINAL OVERLAP. DRAIN WIRE NOT INSULATED. DRAIN WIRE TO BE SHELL TO SHELL ON INSIDE OF FOIL BETWEEN FOIL AND PREMOLD.
2. WRAP FOIL OVER PREMOLD 360 DEGREES FROM CONNECTOR SHELL TO SHELL. IF USING ALUMINUM MYLAR FOIL, ALUMINUM MUST BE FACING INWARD SO THAT IT MAKES CONTACT WITH THE DRAIN WIRE.
3. PACKAGED IN PRINTED ZIPLOCK POLYBAG.
4. LABEL ON ZIPLOCK POLYBAG TO READ AS FOLLOWS:

621818-1
 DB25 M/M GENDER CHANGER
5. THIS PRODUCT IS PRODUCED IN COMPLIANCE WITH ANSI/ASQC Z1.4-1993, TO AN INSPECTION LEVEL III, WITH A NORMAL SAMPLING PLAN.

621818-1

OVERMOLD, PVC, BEIGE	5
HEX NUTS	4
SCREWS, #4-40	3
CONNECTORS, DB25, MALE	2
CABLE	1
DESCRIPTION	ITEM NO.

THIS DRAWING IS A CONTROLLED DOCUMENT.		DWN V. COLLER 12-3-96	AMP AMP Incorporated Harrisburg, PA 17105-3608	
DIMENSIONS: INCHES		CHK D. WILSON 12-3-96		
TOLERANCES UNLESS OTHERWISE SPECIFIED:		APVD R. CAPP 12-4-96	NAME	
0 PLC ±-		PRODUCT SPEC	GENDER CHANGER, DB25, MALE TO MALE	
1 PLC ±-		APPLICATION SPEC	SIZE	CAGE CODE
2 PLC ±-			A2	00779
3 PLC ±-			DRAWING NO	RESTRICTED TO
4 PLC ±-			C-621818	
ANGLES ±-		WEIGHT	SCALE	SHEET
FINISH -			NTS	1 OF 1
		CUSTOMER DRAWING	REV	0

621818

B

A

- [Home](#)
- [Part Number Search](#)
- [Text Search](#)
- [Alternate Part Search](#)
- [Multiple Part Comparison](#)
- [Alphabetical Search](#)
- [Brand Search](#)
- [Industry Product Search](#)
- [Product Type Search](#)
- [Product Family Search](#)
- [Competitor Cross Reference](#)
- [Document Number Search](#)
- [Lead Free Solutions](#)
- [Help/Glossary](#)

Current Brand View	View All Tyco Electronics Brands Click to activate links to all other products
AMP	

Cable Assemblies and Interface Devices

Gender Changers, Adapters, and Power Cords

AMP 621818-1 -- 1 of 3 products Active [Active](#)

(Tyco Electronics P/N: 621818-1)

Next	Sales Information	Step Search Screen
	Related Documents	General Information
	Pricing	Product Availability

Please use the customer drawing for all design activity.

- **Customer Drawing: 621818, Rev. O**
 Document Title: GENDER CHANGER, DB25, MALE TO MALE
[182922.pdf](#) [182922.pdf](#) (38K)

The photographs and/or line drawings below are representative images of a product for viewing purposes only.

[Product Photo](#)

Searchable Features:	
Brand:	AMP
Product Type:	Gender Changers
Gender Changer/Adapter Type:	DB25 Male to Male

Other Properties:	
Wire Size (mm² [AWG]):	28
Wire Material:	Stranded Tinned Copper
No. of Conductors:	25
Color:	Beige
Packaging Method:	Poly Bag

[Copyright](#) and [Privacy Statement](#)

Visit [Tyco International, Ltd.](#)