

## Data Sheet | Item Number: 222-415

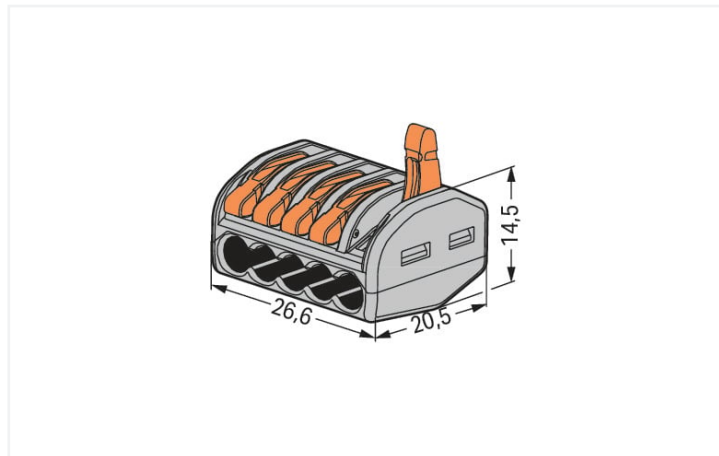
CLASSIC Splicing Connector; for all conductor types; max. 4 mm<sup>2</sup>; 5-conductor;  
with levers; gray housing; Surrounding air temperature: max 40°C; 2,50 mm<sup>2</sup>; gray



<https://www.wago.com/222-415>



Color: ■ gray



Dimensions in mm

### Notes

Safety information

in grounded power lines

### Electrical data

| Ratings per          | EN 60664 |     |       |
|----------------------|----------|-----|-------|
| Overvoltage category | III      | III | II    |
| Pollution degree     | 3        | 2   | 2     |
| Nominal voltage      | -        | -   | 400 V |
| Rated surge voltage  | -        | -   | 4 kV  |
| Rated current        | -        | -   | 32 A  |

### Connection data

|                            |   |
|----------------------------|---|
| Connection points          | 5 |
| Total number of potentials | 1 |

### Connection 1

|                                 |  |
|---------------------------------|--|
| Connection technology           | CAGE CLAMP®                                  |
| Actuation type                  | Lever  |
| Connectable conductor materials | Copper                                       |
| Solid conductor                 | 0.08 ... 2.5 mm <sup>2</sup> / 28 ... 12 AWG |
| Stranded conductor              | 0.08 ... 2.5 mm <sup>2</sup> / 28 ... 12 AWG |
| Fine-stranded conductor         | 0.08 ... 4 mm <sup>2</sup> / 28 ... 12 AWG   |
| Strip length                    | 9 ... 10 mm / 0.35 ... 0.39 inches           |
| Wiring direction                | Side-entry wiring                            |

### Physical data

|        |                        |
|--------|------------------------|
| Width  | 26.6 mm / 1.047 inches |
| Height | 14.5 mm / 0.571 inches |
| Depth  | 20.5 mm / 0.807 inches |

### Material data

|                             |  |
|-----------------------------|--|
| Note (material data)        | <a href="https://www.wago.com/us/material-specifications" href="_blank">Information on material specifications can be found here</a> |
| Color                       | gray   |
| Flammability class per UL94 | V0   |
| Fire load                   | 0.129 MJ   |
| Actuator color              | orange   |
| Weight                      | 6.6 g  |

### Environmental requirements

|                                  |        |
|----------------------------------|--------|
| Ambient temperature (operation)  | +40 °C |
| Continuous operating temperature | 85 °C  |

### Commercial data

|                       |                     |
|-----------------------|---------------------|
| Product Group         | 7 (Push Wire Conn.) |
| eCl@ss 10.0           | 27-14-11-04         |
| eCl@ss 9.0            | 27-14-11-04         |
| ETIM 8.0              | EC000446            |
| ETIM 7.0              | EC000446            |
| PU (SPU)              | 400 (40) pcs        |
| Packaging type        | Box                 |
| Country of origin     | DE                  |
| GTIN                  | 4044918464956       |
| Customs tariff number | 85369010000         |

### Environmental Product Compliance

|                        |                         |
|------------------------|-------------------------|
| RoHS Compliance Status | Compliant, No Exemption |
|------------------------|-------------------------|

### Approvals / Certificates

#### General approvals



| Approval   | Standard | Certificate Name |
|--|----------|------------------|
| ENEC 15<br>UL International Demko A/<br>S          | EN 60998 | ENEC-01360       |
| UL_Listed_64KA<br>UL International Germany<br>GmbH | UL 467   | E201573          |
| UL<br>UL International Germany<br>GmbH             | UL 486C  | E69654           |

#### Declarations of conformity and manufacturer's declarations

| Approval  | Standard | Certificate Name |
|---|----------|------------------|
| EU-Declaration of Confor-<br>mity<br>WAGO GmbH & Co. KG | -        | -                |
| UK-Declaration of Confor-<br>mity<br>WAGO GmbH & Co. KG | -        | -                |

Approvals for marine applications



| Approval  | Standard | Certificate Name |
|---|----------|------------------|
| ABS<br>American Bureau of Ship-<br>ping               | -        | 18-HG1755093-PDA |
| DNV GL<br>Det Norske Veritas, Ger-<br>manischer Lloyd | EN 60998 | TAE000015T       |
| LR<br>Lloyds Register                                 | EN 60998 | LR22207029TA     |

Downloads

Environmental Product Compliance

| Compliance Search   |
|---|
| Environmental Product<br>Compliance 222-415 <a href="#">↓</a> |

Documentation

| Bid Text |            |                  |                   |
|----------|------------|------------------|-------------------|
| 222-415  | 19.02.2019 | xml<br>3.38 KB   | <a href="#">↓</a> |
| 222-415  | 23.01.2019 | docx<br>15.39 KB | <a href="#">↓</a> |

CAD/CAE-Data

| CAD data                               |
|--|
| 2D/3D Models 222-415 <a href="#">↓</a> |

| CAE data                                       |
|--|
| EPLAN Data Portal<br>222-415 <a href="#">↓</a> |
| WSCAD Universe<br>222-415 <a href="#">↓</a>    |
| ZUKEN Portal 222-415 <a href="#">↓</a>         |

1 Compatible Products

1.1 Optional Accessories

1.1.1 Mounting adapter

### 1.1.1.1 Mounting accessories

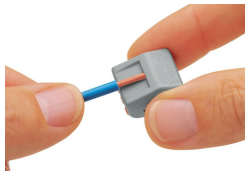


**Item No.: 222-500**

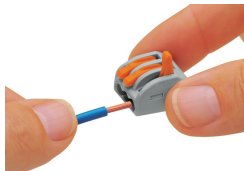
Mounting carrier; 222 Series; for DIN-35 rail mounting/screw mounting; orange

## Installation Notes

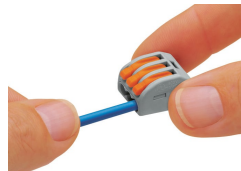
### Conductor termination



Strip conductor to 9 ... 10 mm (0.35 ... 0.39 inch).



Termination: Lift the lever to open the clamping unit and insert a stripped conductor.



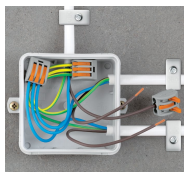
Then, lower the lever to close the clamp.

## Testing



Testing via Profi-LED+ voltage tester (206-806).

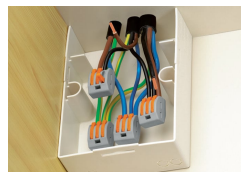
## Application



Wiring fine-stranded conductors in junction boxes.



Custom low-voltage lighting system



Connecting pre-wired and pre-fabricated components (e.g., in mobile homes).



Lighting fixture connection with fine-stranded wires and power feed



Subject to changes. Please also observe the further product documentation!

Current addresses can be found at: [www.wago.com](http://www.wago.com)