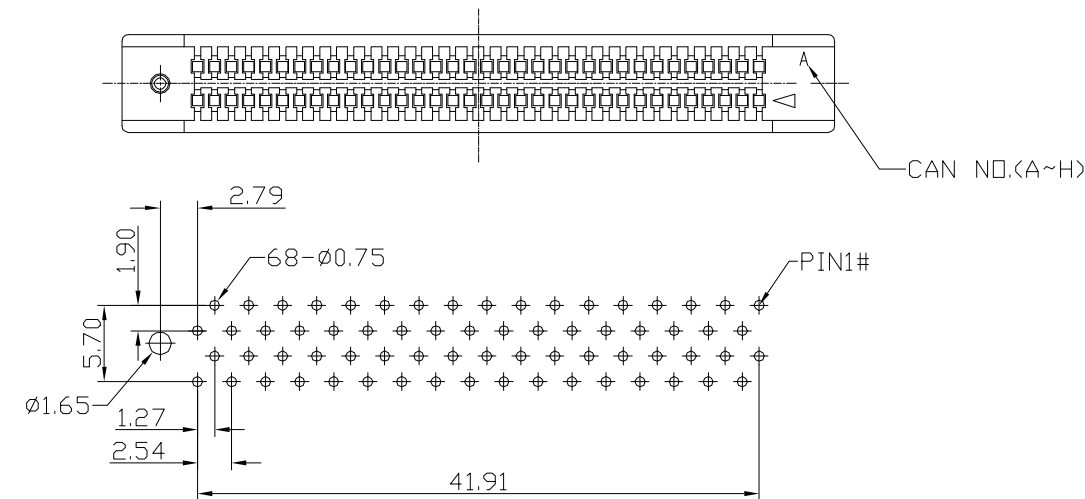
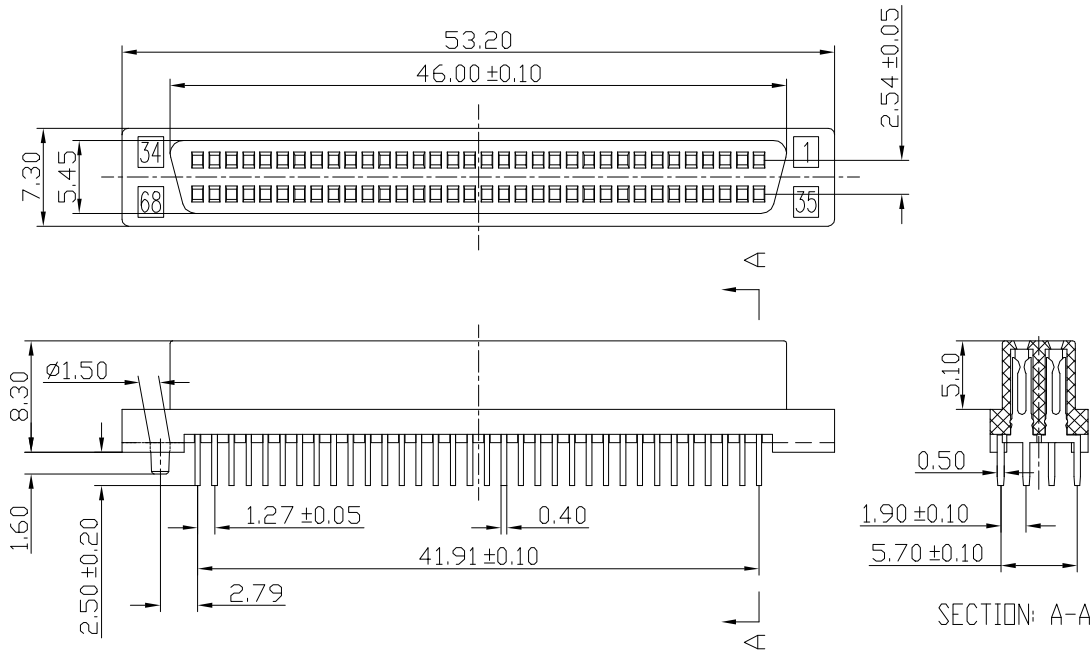


| REV. | DESCRIPTION | DATE |
|------|--------------|-----------|
| A | RELEASED | 07/25-'02 |
| B | 更改料號 | 01/16-'03 |
| C | 正反腳位相反, 更正腳位 | 02/25-'03 |



P.C.B LAYOUT

Notes:

*Material:

Housing: PBT with glass-fiber reinforced (UL 94V-0);
 Contacts: Brass;
 Contact Plating: Gold plating over Nickel on contact area;
 Tin/Lead plating on terminal.

*Electrical Specification:

Contact Current Rating: 1 Ampere;
 Dielectric Withstanding Voltage: AC 250V Min (For 1 minute);
 Insulation Resistance: 500 Megohms Min (At 500V DC);
 Contact Resistance: 35 Milliohms Max.

*Environmental:

Operating Temperature: -55°C to +105°C.

*Part Number:

WSS2-068-B B B 2 1

- 空白: No Mark
- W: Winning Mark
- 1: With Post
- 2: Reverse Position
- B: PBT
- B: Brass
- Gold A: Flash B: 3u"
- NO. of Contacts
- Series NO.

| | | | | | | | | | | | | | |
|---------------|--|-----|-----------|---|----------------|---------------|----------------|----------------|-------------------|--------------------------|--------------|---------------------------|--|
| 檔名 F/Name | C:\DWG\SCSI\AP\W068-R.DWG | TEL | 2299-4155 | 未註入公差 Tolerance Unless Otherwise Specified | 設計 Designed | 製圖 Drawing | 檢圖 Reviewed | 承認 Approved | 單位 Unit | mm | 比例尺 Scale | Third Angle Projection | |
| 品名 P/Name | SCSI 068 Pins Connectors (Reverse) | FAX | 2299-4157 | .X ~ ±0.38 | | | | | 日期 Date | 02/25/03 | Sheet | 1 Of 1 | |
| 公司 CO/Name | 承豐精密工業股份有限公司 WIN WIN PRECISION INDUSTRIAL CO., LTD. | | | .XX ~ ±0.25 | | | | | 圖名 Name | SCSI 068-R Pin (反腳位) 承認圖 | REV | | |
| | | | | .XXX ~ ±0.20 | | | | | 圖號 Drawing No. | SCSI-068PN-AN-N002 | C | | |
| | | | | ANGLE ~ ±3° | | | | | | | | | |