

FEATURES

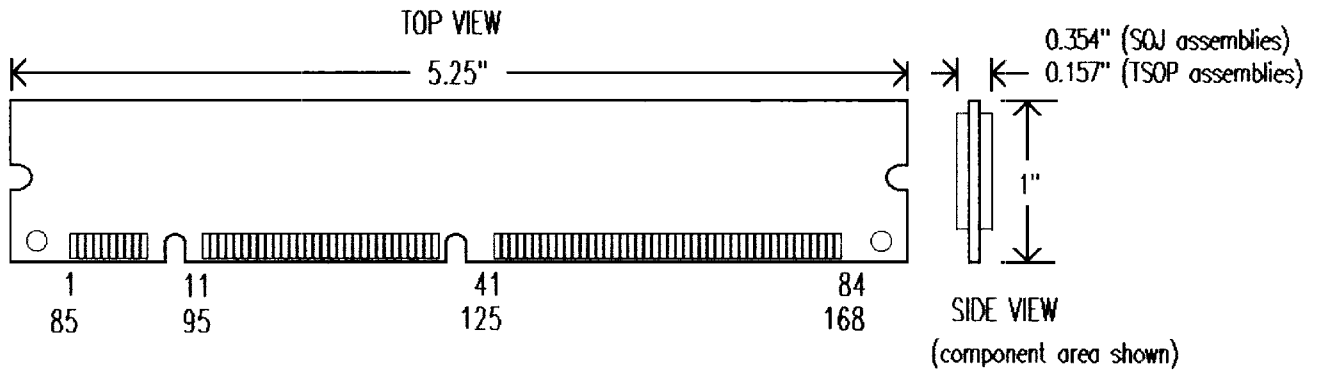
- 168-pin industry standard 8-byte dual-in-line memory module
- JEDEC compliant: 21-C, Fig. 4-13A, B, C, D, E (Release 5)
No. 95 MO-161
- $\overline{\text{CAS}}$, $\overline{\text{WE}}$, $\overline{\text{OE}}$ and Address lines are buffered
- High performance, CMOS
- Single 5.0V \pm 10% power supply
- TTL-compatible inputs and outputs
- Fast Page Mode access cycle
- Refresh modes: $\overline{\text{RAS}}$ -ONLY, $\overline{\text{CAS}}$ -BEFORE- $\overline{\text{RAS}}$, HIDDEN
- Refresh: 4096 refresh cycles every 64 ms
- Dimensions: 5.25" (length) x 1.00" (height) x 0.354" (max thickness)

PERFORMANCE RANGE

SYMBOL	PARAMETER	Rating	
		60 ns	70 ns
t_{RAC}	RAS Access Time	60 ns (max)	70 ns (max)
t_{CAC}	CAS Access Time	20 ns (max)	25 ns (max)
t_{AA}	Access Time from Column Address	35 ns (max)	40 ns (max)
t_{RC}	Random Read or Write Cycle Time	110 ns (min)	130 ns (min)
t_{PC}	Fast Page Mode Cycle Time	40 ns (min)	45 ns (min)

ORDERING INFORMATION

DESCRIPTION	PART NUMBER	ENGINEERING DESCRIPTOR
4M x 64, 60 ns, Gold Tabs, SOJ	21319C	CL001M04640F00J-60
4M x 64, 70 ns, Gold Tabs, SOJ	8032C	CL001M04640F00J-70
4M x 64, 60 ns, Gold Tabs, TSOP	21320C	CL001M04640F00T-60
4M x 64, 70 ns, Gold Tabs, TSOP	11446C	CL001M04640F00T-70
4M x 64, 60 ns, Gold Tabs, SOJ	13784C	CL001M04640F0AJ-60
4M x 64, 70 ns, Gold Tabs, SOJ	20005C	CL001M04640F0AJ-70
4M x 64, 60 ns, Gold Tabs, TSOP	21317C	CL001M04640F0AT-60
4M x 64, 70 ns, Gold Tabs, TSOP	21318C	CL001M04640F0AT-70

CARD OUTLINE

GENERAL DESCRIPTION

The 4M x 64 DIMM uses dynamic RAM devices and is designed for use as a general-purpose 8-byte wide memory assembly with 8 data bits per byte. The DIMM is populated with sixteen 4M x 4 DRAMs and two buffers.

All inputs are buffered except for \overline{RAS} and data. Buffering serves to improve the signal quality of the inputs. The timings specified herein include buffer delays. \overline{RAS} are not buffered in order to preserve the DRAM access specification.

Presence Detect (PD) and Identification (ID) bits provide information about DIMM density, addressing, performance and features. PD bits can be activated using the PD enable (PDE) input signal. PD bits are also buffered.

During Read or Write Cycles, each byte may be uniquely addressed via 22 address bits, with the first twelve bits (A0-A11) latched on \overline{RAS} and the latter ten bits (A0-A9) latched on \overline{CAS} . READ or WRITE cycles are selected with the \overline{WE} input, with a logic low indicating a WRITE cycle and a logic HIGH indicating a READ cycle. During a WRITE cycle, data-in is latched by the falling edge of \overline{WE} or \overline{CAS} , whichever occurs last.

FAST PAGE MODE operation allows for faster READs or WRITEs within a row-address-defined page boundary. A FAST PAGE MODE cycle is initiated with \overline{RAS} followed by \overline{CAS} , then strobing \overline{CAS} to latch different column addresses while holding \overline{RAS} LOW.

Returning \overline{RAS} and \overline{CAS} high terminates a memory cycle and returns the DRAMs to a reduced-current STANDBY state.

Memory cell data is retained in its correct state by maintaining power and executing any \overline{RAS} cycle (READ, WRITE) or \overline{RAS} refresh cycle (\overline{RAS} -ONLY, CBR, or HIDDEN) so that all 4096 combinations of \overline{RAS} addresses (A0-A11) are executed at least every 64 ms. The CBR refresh and HIDDEN refresh cycles will invoke the on-chip refresh address counters for automatic \overline{RAS} addressing.

PIN DESCRIPTION

RAS0, RAS2	Row Address Strobe
CAS0~CAS7	Column Address Strobe(Buffered)
WE0, WE2	Write Enable (Buffered)
OE0, OE2	Output Enable (Buffered)
A0, B0, A1 ~ A11	Address Input (Buffered)
DQx	Data Input/Output
VCC	Power (+5.0 V)
VSS	Ground
NC	No Connect
PD1 ~ PD8	Presence Detects (Buffered)
PDE	Presence Detect Enable
ID0 ~ ID1	ID Bits

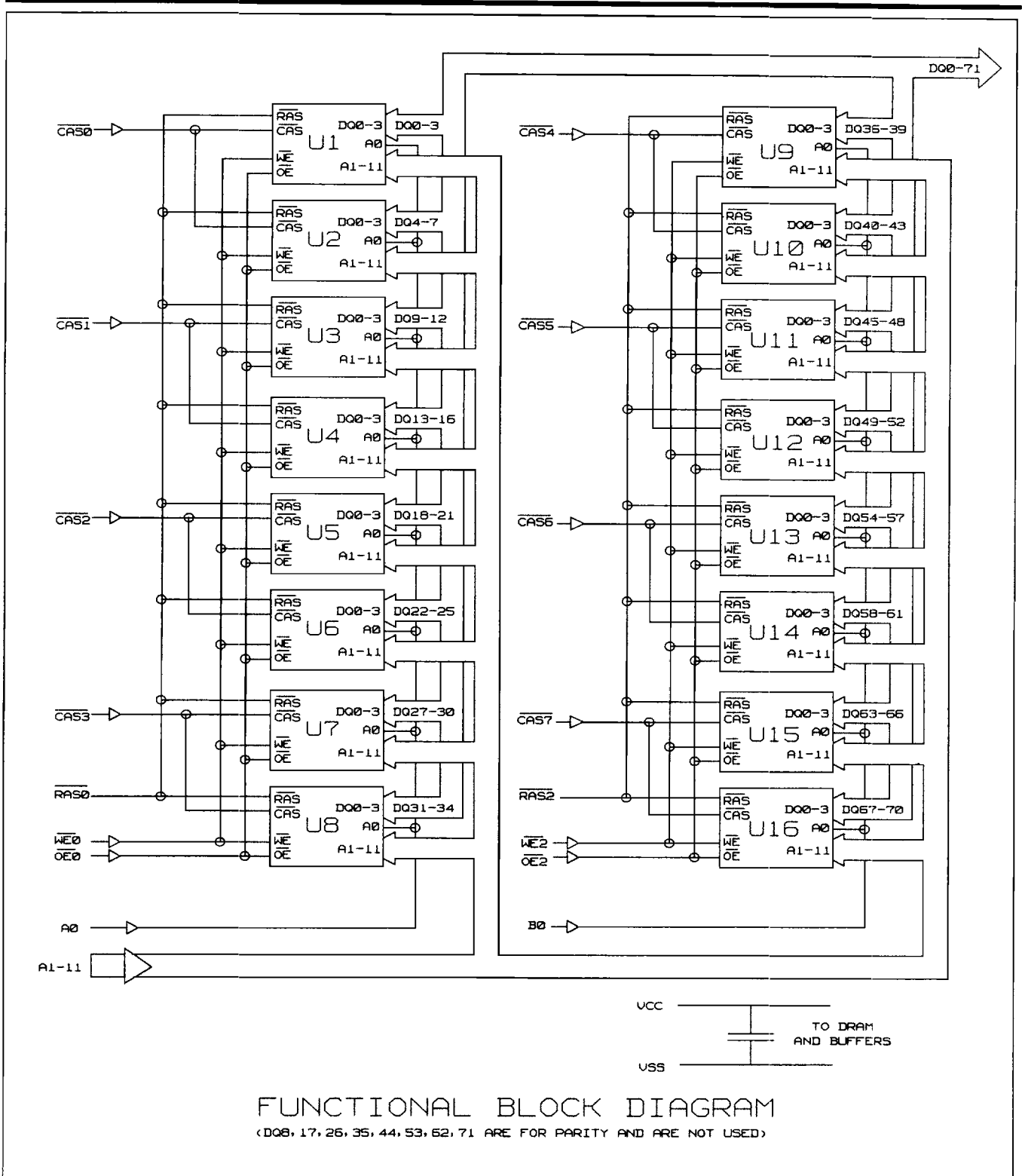
PRESENCE DETECT

PIN SYMBOL	CONFIGURATION	
	60 ns	70 ns
PD1 (PD1~PD4: Addressing/Density)	1	1
PD2	1	1
PD3	0	0
PD4	1	1
PD5 (Data Access Mode)	0	0
PD6 (PD6~PD7: Speed)	1	0
PD7	1	1
PD8 (Parity/ECC Configuration)	1	1
ID0 (DIMM Type/Width)	0	0
ID1 (Refresh Mode)	0	0

Note: PD1-8 are buffered outputs (0 = driven to V_{OL} , 1 = open);
 ID0-1 are unbuffered outputs (0 = V_{SS} , 1 = open)

PIN CONFIGURATION

Pin #	Front Side	Pin #	Front Side	Pin #	Back Side	Pin #	Back Side
1	VSS	43	VSS	85	VSS	127	VSS
2	DQ0	44	OE2	86	DQ36	128	NC
3	DQ1	45	RAS2	87	DQ37	129	NC
4	DQ2	46	CAS4	88	DQ38	130	CAS5
5	DQ3	47	CAS6	89	DQ39	131	CAS7
6	VCC	48	WE2	90	VCC	132	PDE
7	DQ4	49	VCC	91	DQ40	133	VCC
8	DQ5	50	NC	92	DQ41	134	NC
9	DQ6	51	NC	93	DQ42	135	NC
10	DQ7	52	DQ18	94	DQ43	136	DQ54
11	NC	53	DQ19	95	NC	137	DQ55
12	VSS	54	VSS	96	VSS	138	VSS
13	DQ9	55	DQ20	97	DQ45	139	DQ56
14	DQ10	56	DQ21	98	DQ46	140	DQ57
15	DQ11	57	DQ22	99	DQ47	141	DQ58
16	DQ12	58	DQ23	100	DQ48	142	DQ59
17	DQ13	59	VCC	101	DQ49	143	VCC
18	VCC	60	DQ24	102	VCC	144	DQ60
19	DQ14	61	NC	103	DQ50	145	NC
20	DQ15	62	NC	104	DQ51	146	NC
21	DQ16	63	NC	105	DQ52	147	NC
22	NC	64	NC	106	NC	148	NC
23	VSS	65	DQ25	107	VSS	149	DQ61
24	NC	66	NC	108	NC	150	NC
25	NC	67	DQ27	109	NC	151	DQ63
26	VCC	68	VSS	110	VCC	152	VSS
27	WE0	69	DQ28	111	NC	153	DQ64
28	CAS0	70	DQ29	112	CAS1	154	DQ65
29	CAS2	71	DQ30	113	CAS3	155	DQ66
30	RAS0	72	DQ31	114	NC	156	DQ67
31	OE0	73	VCC	115	NC	157	VCC
32	VSS	74	DQ32	116	VSS	158	DQ68
33	A0	75	DQ33	117	A1	159	DQ69
34	A2	76	DQ34	118	A3	160	DQ70
35	A4	77	NC	119	A5	161	NC
36	A6	78	VSS	120	A7	162	VSS
37	A8	79	PD1	121	A9	163	PD2
38	A10	80	PD3	122	A11	164	PD4
39	NC	81	PD5	123	NC	165	PD6
40	VCC	82	PD7	124	VCC	166	PD8
41	NC	83	ID0	125	NC	167	ID1
42	NC	84	VCC	126	B0	168	VCC



TRUTH TABLE

FUNCTION	RAS	CAS	WE	OE	ROW ADDR	COL ADDR	PDE	DQx
Standby	H	X	X	X	X	X	X	Hi-Z
Read	L	L	H	L	ROW	COL	X	Valid D _{OUT}
Early-Write	L	L	L	X	ROW	COL	X	Valid D _{IN}
RMW	L	L	H-L	L-H	ROW	COL	X	Valid D _{OUT}
Fast Page Mode-Read 1st Cycle	L	H-L	H	L	ROW	COL	X	Valid D _{OUT}
Subsequent Cycles	L	H-L	H	L	N/A	COL	X	Valid D _{OUT}
Fast Page Mode-Write 1st Cycle	L	H-L	L	X	ROW	COL	X	Valid D _{IN}
Subsequent Cycles	L	H-L	L	X	N/A	COL	X	Valid D _{OUT}
Fast Page Mode-RMW 1st Cycle	L	H-L	H-L	L-H	ROW	COL	X	Valid D _{OUT}
Subsequent Cycles	L	H-L	H-L	L-H	N/A	COL	X	Valid D _{OUT}
RAS-Only Refresh	L	H	X	X	ROW	N/A	X	Hi-Z
CAS-Before-RAS Refresh	H-L	L	H	X	X	X	X	Hi-Z
Read Presence Detects	X	X	X	X	X	X	L	Not Affected (PD Bits Valid)

X:"H" or "L" D_{IN}:Data In D_{OUT}:Data Out Hi-Z:High Impedance N/A:NotApplicable

ABSOLUTE MAXIMUM RATINGS (Note 1,22)

SYMBOL	PARAMETER	RATING	UNITS	NOTES
V _{CC}	Power Supply Voltage	-1.0 to 7.0	V	2
V _{IN}	Voltage on any Pin Relative to V _{SS}	-1.0 to 7.0	V	2
V _{OUT}		-1.0 to 7.0	V	2
T _{opr}	Operating Temperature	0 to 70	°C	
T _{stg}	Storage Temperature	-55 to 125	°C	
P _D	Power Dissipation	18.0	W	17,31
I _{OS}	Short Circuit Output Current	50	mA	17

RECOMMENDED OPERATING CONDITIONS ($T_A = 0$ to 70°C) (Note 2)

SYMBOL	PARAMETER	MIN.	TYP.	MAX.	UNITS	NOTES
V_{CC}	Supply Voltage	4.5	5.0	5.5	V	
V_{SS}	Ground	0	0	0	V	
V_{IH}	Input High Voltage	2.4		$V_{CC}+1.0$	V	22
V_{IL}	Input Low Voltage	-1		0.8	V	22

T_A : Ambient temperature

CAPACITANCE ($f = 1$ MHz; $T_A = 25^\circ\text{C}$) (Note 22)

SYMBOL	PARAMETER	MAX.	UNITS	NOTES
C_{I1}	Input Capacitance (All except RAS)	6	pF	
C_{I2}	Input Capacitance (RAS0, RAS2)	56	pF	
C_{O1}	Output Capacitance (Data In/Out)	7	pF	

T_A : Ambient temperature

DC CHARACTERISTICS

(Recommended operating conditions unless otherwise noted.) (Note 18,22)

SYMBOL	PARAMETER	SPEED	MIN.	MAX.	NOTES	
I _{CC1}	OPERATING CURRENT: Average Power Supply Operating Current ($\overline{RAS}, \overline{CAS}$, Address Cycling @ $t_{RC} = t_{RC(min)}, V_{CC} = V_{CC(max)}$) (mA)	60 ns	-	1697	3,4,5, 6, 16	
		70 ns	-	1537		
I _{CC2}	STANDBY CURRENT (TTL): Power Supply Standby Current ($\overline{RAS} = \overline{CAS} = V_{CC}$, Data out is disabled (Hi-Z), all other inputs = V_{CC} , $V_{CC} = V_{CC(max)}$) (mA)	Don't Care	-	33		
I _{CC3}	RAS-ONLY REFRESH CURRENT: Average Power Supply Current, RAS-Only Mode (\overline{RAS} , Address Cycling, $\overline{CAS} = V_{IH}$ @ $t_{RC} = t_{RC(min)}, V_{CC} = V_{CC(max)}$) (mA)	60 ns	-	1697	3,4,5, 6,16,31	
		70 ns	-	1537		
I _{CC4}	FAST PAGE MODE CURRENT: Average Power Supply Current, FPM ($\overline{RAS} = V_{IL}, \overline{CAS}$, Address Cycling @ $t_{PC} = t_{PC(min)}, V_{CC} = V_{CC(max)}$) (mA)	60 ns	-	1377	3,4,5,7,16	
		70 ns	-	1217		
I _{CC5}	STANDBY CURRENT (CMOS): Power Supply Standby Current ($\overline{RAS} = \overline{CAS} = V_{CC} - 0.2V$, Data Out is disabled (Hi-Z), $V_{CC} = V_{CC(max)}$) (mA)	Don't Care	-	17		
I _{CC6}	CAS-BEFORE-RAS, REFRESH CURRENT: Average Power Supply Current, \overline{CAS} -Before- \overline{RAS} Mode ($\overline{RAS}, \overline{CAS}$ Cycling @ $t_{RC} = t_{RC(min)}, V_{CC} = V_{CC(max)}$) (mA)	60 ns	-	1697	3,4,5, 6,16,31	
		70 ns	-	1537		
I _{LI}	INPUT LEAKAGE CURRENT: Input Leakage Current, any input ($0 \leq V_{IN} \leq V_{CC}$, all other pins not under test = 0V, $V_{CC} = V_{CC(max)}$) (μA)	All except RAS		-1	1	
		RAS0, RAS2		-80	80	
I _{LO}	OUTPUT LEAKAGE CURRENT: (Data Out is disabled (Hi-Z), $0 \leq V_{OUT} \leq V_{CC}$) (μA)		-10	10		
V _{OH}	OUTPUT HIGH LEVEL: Output "H" Level Voltage ($I_{OUT} = -5mA$) (V)		2.4	-	2	
V _{OL}	OUTPUT LOW LEVEL: Output "L" Level Voltage ($I_{OUT} = +4.2mA$) (V)		-	0.4	2	

AC CHARACTERISTICS
READ, WRITE, READ-MODIFY-WRITE AND REFRESH CYCLES (COMMON PARAMETERS)

(Recommended operating conditions unless otherwise noted.) (Note 8,18)

SYMBOL	PARAMETER	60 ns		70 ns		NOTES
		MIN.	MAX.	MIN.	MAX.	
t_{RC}	Random READ or WRITE Cycle Time (ns)	110	-	130	-	
t_{RP}	RAS Precharge Time (ns)	40	-	50	-	
t_{CP}	CAS Precharge Time (ns)	10	-	10	-	
t_{RAS}	RAS Pulse Width (ns)	60	10000	70	10000	23
t_{CAS}	CAS Pulse Width (ns)	15	10000	20	10000	23
t_{ASR}	Row Address Setup Time (ns)	5	-	5	-	22
t_{RAH}	Row Address Hold Time (ns)	9	-	9	-	
t_{ASC}	Column Address Setup Time (ns)	4	-	4	-	22
t_{CAH}	Column Address Hold Time (ns)	14	-	19	-	22
t_{RCD}	RAS to CAS Delay Time (ns)	19	40	19	45	10
t_{RAD}	RAS to Col. Address Delay Time (ns)	14	25	14	30	15
t_{RSH}	RAS Hold Time (ns)	20	-	25	-	22
t_{CSH}	CAS Hold Time (ns)	59	-	69	-	
t_{CRP}	CAS to RAS Precharge Time (ns)	10	-	10	-	22
t_{ODD}	OE to D_{IN} Delay Time (ns)	20	-	25	-	22,27
t_{DZO}	OE Delay Time from D_{IN} (ns)	-	-	-	-	22,28
t_{RPC}	RAS Precharge to CAS hold Time (ns)	4	-	4	-	22
t_T	Transition Time (Rise and Fall) (ns)	3	30	3	30	22
t_{AR}	Column Address Hold Time Referenced to RAS (ns)	-	-	-	-	

READ CYCLES (Note 8,18)

SYMBOL	PARAMETER	60 ns		70 ns		NOTES
		MIN.	MAX.	MIN.	MAX.	
t _{RAC}	Access Time from RAS (ns)	-	60	-	70	9,10,15,30
t _{CAC}	Access Time from CAS (ns)	-	20	-	25	9,10,30
t _{AA}	Access Time from Address (ns)	-	35	-	40	9,15,30
t _{OEa}	Access Time from OE (ns)	-	20	-	25	9
t _{RCS}	Read Command Setup Time (ns)	4	-	4	-	22
t _{RCH}	Read Command Hold Time to CAS (ns)	4	-	4	-	14,22
t _{RRH}	Read Command Hold Time to RAS (ns)	-1	-	-1	-	14,22
t _{RAL}	Column Address to RAS Lead Time(ns)	35	-	40	-	22
t _{CLZ}	CAS to Output in Low-Z (ns)	1	-	1	-	9,22
t _{OEZ}	Output Buffer Turn-off Delay from OE (ns)	1	20	1	25	12,24
t _{DZC}	Data to CAS Low Delay Time (ns)	-	-	-	-	
t _{CDD}	CAS High to Data Delay Time (ns)	-	-	-	-	
t _{OFF}	Output Buffer Turn-Off Delay (ns)	1	20	1	25	12,24

WRITE CYCLES (Note 8,18)

SYMBOL	PARAMETER	60 ns		70 ns		NOTES
		MIN.	MAX.	MIN.	MAX.	
t _{WCS}	Write Command Set Up Time (ns)	4	-	4	-	13
t _{WCH}	Write Command Hold Time (ns)	14	-	19	-	
t _{WP}	Write Command Pulse Width (ns)	10	-	15	-	
t _{RWL}	Write Command to RAS Lead Time (ns)	20	-	25	-	22
t _{CWL}	Write Command to CAS Lead Time (ns)	19	-	24	-	
t _{DS}	D _{IN} Setup Time (ns)	-1	-	-1	-	25
t _{DH}	D _{IN} Hold Time (ns)	15	-	20	-	22,25
t _{WCR}	Write Command Hold Time Referenced to RAS (ns)	-	-	-	-	
t _{DHR}	Data in Hold Time Referenced to RAS (ns)	-	-	-	-	

PRESENCE DETECT READ CYCLE (Note 8,19,24)

SYMBOL	PARAMETER	MIN.	MAX.	NOTES
t _{PD}	PDE to Valid Presence Detect Data	2	7	
t _{PDOFF}	PDE Inactive to Presence Detects Inactive	2	6	12

FAST PAGE MODE CYCLES (Note 8,18)

SYMBOL	PARAMETER	60 ns		70 ns		NOTES
		MIN.	MAX.	MIN.	MAX.	
t _{PC}	Fast Page Mode Cycle Time (ns)	40	-	45	-	
t _{RASP}	Fast Page Mode RAS Pulse Width (ns)	60	100000	70	100000	22
t _{CPRH}	RAS Hold Time from CAS Precharge (ns)	40	-	45	-	22
t _{CPA}	Access Time from CAS Precharge (ns)	-	40	-	45	9,21,22,30
t _{PRWC}	Fast Page Mode Read-Modify-Write Cycle Time (ns)	85	-	100	-	
t _{CPW}	WE Delay Time From CAS Precharge (ns)	64	-	74	-	13

REFRESH CYCLE (Note 8,18)

SYMBOL	PARAMETER	60 ns		70 ns		NOTES
		MIN.	MAX.	MIN.	MAX.	
t _{CHR}	CAS Hold Time (CAS-before-RAS Refresh Cycle) (ns)	9	-	14	-	22
t _{CSR}	CAS Setup Time (CAS-before-RAS Refresh Cycle) (ns)	10	-	10	-	22
t _{WRP}	WE Setup Time (CAS-before-RAS Refresh Cycle) (ns)	15	-	15	-	22
t _{WRH}	WE Hold Time (CAS-before-RAS Refresh Cycle) (ns)	9	-	9	-	22
t _{REF}	Refresh Period (4096 cycles) (ms)	-	64	-	64	

READ-MODIFY-WRITE CYCLE (Note 8,18)

SYMBOL	PARAMETER	60 ns		70 ns		NOTES
		MIN.	MAX.	MIN.	MAX.	
t _{RWC}	Read-Modify-Write Cycle Time (ns)	155	-	185	-	22
t _{RWD}	RAS to WE Delay Time (ns)	84	-	99	-	13
t _{CWD}	CAS to WE Delay Time (ns)	44	-	54	-	13,22
t _{AWD}	Column Address to WE Delay Time (ns)	59	-	69	-	13,22
t _{OEH}	OE Hold Time After WE Low (ns)	19	-	24	-	

NOTES

1. Permanent damage to the device may occur if "ABSOLUTE MAXIMUM RATINGS" are exceeded. Functional operation should be restricted to the conditions as detailed in this data sheet. Exposure to absolute maximum rating conditions for extended periods may affect reliability.
2. All voltages referenced to V_{SS} .
3. I_{CC} is specified as an average current.
4. This parameter depends on output loading and/or cycle rates.
5. Specified values are obtained with the output open.
6. Address can be changed a maximum of once while $\overline{RAS}=V_{IL}$.
7. Address can be changed a maximum of once while $\overline{CAS}=V_{IH}$.
8. $V_{IH(min)}$ and $V_{IL(max)}$ are reference levels for measuring timing of input signals. Transition time (t_T) is measured between $V_{IH(min)}$ and $V_{IL(max)}$, and is assumed to be 5ns for all inputs. All input signals must transit between V_{IH} and V_{IL} (or V_{IL} and V_{IH}) without slope reversal.
9. Measured with a load equivalent to 2 TTL loads and 100pF.
10. Operation within the $t_{RCD(max)}$ limit ensures that $t_{RAC(max)}$ can be met. $t_{RCD(max)}$ is specified as a reference point only. If t_{RCD} is greater than the specified $t_{RCD(max)}$ limit, then access time is controlled exclusively by t_{CAC} .
11. Assumes that $t_{RAD} \leq t_{RAD(max)}$.
12. This parameter defines the time at which the output achieves the open circuit condition and is not referenced to V_{OH} or V_{OL} .
13. This is a non-restrictive operating parameter. It is included in the data sheet as an electrical characteristic only. If $t_{WCS} \geq t_{WCS(min)}$ the cycle is an early write cycle and the data out pins will remain high impedance (open circuit) for the duration of the cycle. If $t_{CWD(min)} \geq t_{CWD(min)}$, $t_{RWD} \geq t_{RWD(min)}$, $t_{AWD} \geq t_{AWD(min)}$, and $t_{CPW} \geq t_{CPW(min)}$ (for Fast Page Mode cycle only), then the cycle is a Read-Modify-Write cycle and the data output pins will hold the data read from the selected address. If neither of the above conditions are satisfied, the condition of the data out (at access time) is indeterminate.
14. Either t_{RCH} or t_{RRH} must be satisfied for a read cycle.
15. Operation within the $t_{RAD(max)}$ limit ensures that $t_{RAC(max)}$ can be met. $t_{RAD(max)}$ is specified as a reference point only. If t_{RAD} is greater than the specified $t_{RAD(max)}$ limit, then access time is controlled exclusively by t_{AA} .
16. Specified values are obtained with minimum cycle time.
17. Specified values are obtained with $T_A=25^\circ\text{C}$.

18. An initial pause of 200 μ s is required after power-up followed by a minimum of eight initialization cycles (any 8 $\overline{\text{CAS}}$ -before- $\overline{\text{RAS}}$ or $\overline{\text{RAS}}$ -only Refresh cycles with $\overline{\text{WE}}$ high) before proper device operation is assured. Also, any 8 $\overline{\text{CAS}}$ -before- $\overline{\text{RAS}}$ or $\overline{\text{RAS}}$ -only Refresh cycles with $\overline{\text{WE}}$ high are required after prolonged periods (greater than t_{REF}) of $\overline{\text{RAS}}$ inactivity before proper device operation is assured.
19. Measured with a load equivalent to 50pF and 500 ohms.
20. Write cycle is applicable instead of read cycle. Timing requirements for $\overline{\text{RAS}}$, $\overline{\text{CAS}}$ and Address are the same for Hidden Refresh Write Cycle as that shown for Hidden Refresh Read Cycle. $\overline{\text{WE}}$, D_{IN} and D_{OUT} for Hidden Refresh Write Cycle are the same as for Write Cycle.
21. t_{CPA} is access time from $\overline{\text{CAS}}$ precharge (that is caused by changing $\overline{\text{CAS}}$ from "L" to "H"). Therefore, if t_{CP} is long, then t_{CPA} is longer than $t_{\text{CPA}(\text{max})}$.
22. Calculated based on data supplied by the DRAM manufacturer(s).
23. Maximum value is calculated based on data supplied by the DRAM manufacturer(s).
24. Minimum value is calculated based on data supplied by the DRAM manufacturer(s).
25. This parameter is referenced to the $\overline{\text{CAS}}$ leading edge in Early Write cycles and to the $\overline{\text{WE}}$ leading edge in Read-Modify-Write cycles.
26. $V_{\text{IN}} = 0$ Volt.
27. Either t_{CDD} or t_{ODD} must be satisfied.
28. Either t_{DZC} or t_{DZO} must be satisfied.
29. $t_{\text{RASP}(\text{MIN})}$ is specified as two cycles of $\overline{\text{CAS}}$ input are performed.
30. The access time is limited by all four parameters t_{RAC} , t_{CAC} , t_{AA} , t_{CPA} .
31. This assumes all $\overline{\text{RAS}}$ (and all $\overline{\text{CAS}}$ for CBR refresh) are active.

For Timing Diagrams see “**FPM Timing Diagrams**” (Document No. **20432C**).

Available from fax-on-demand and Website: <http://www.celestica.com/memory/>

Celestica Inc. 1996
Contact Information
For further information on this product, please call:

Celestica 1-888-899-9998

The information provided is believed to be accurate and reliable. Celestica reserves the right to make changes to this document and to the product described without notice. No liability is assumed as a result of its use nor for any infringement on the rights of others.

TM Celestica is a trademark of Celestica, Inc.

July 3, 1996