

AN7379NSH

Dolby* B-type Noise Reduction Decoder for 1.5V Headphone Stereo

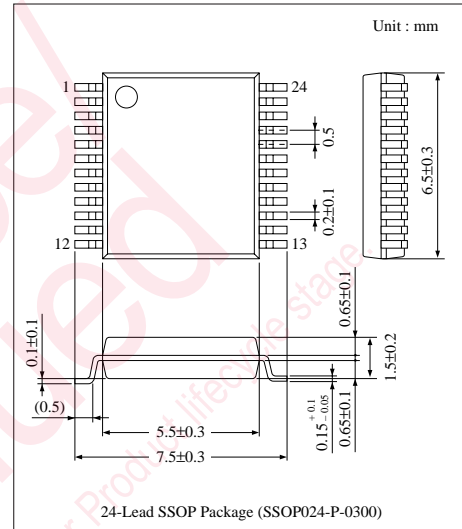
■ Overview

The AN7379NSH is an IC for Dolby B-type noise reduction playback suitable for 1.5V headphone stereo and incorporates multi-purpose buffer amp., GND switch and stand-by function in a single chip.

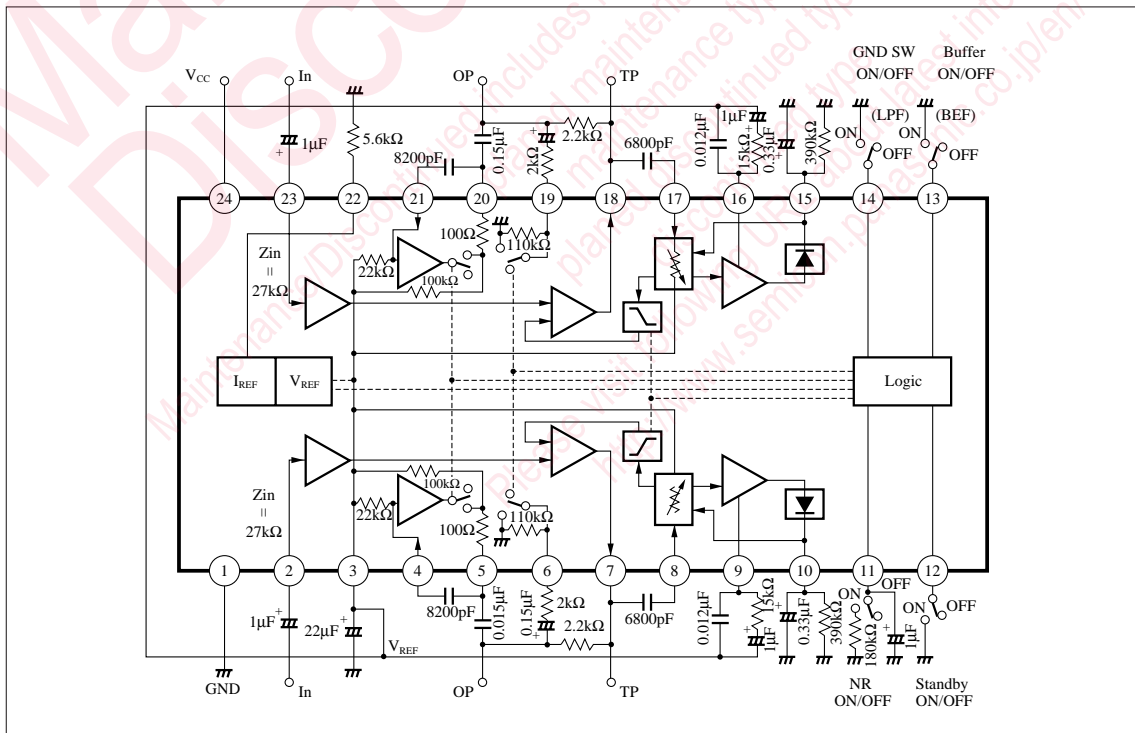
■ Features

- Operating voltage range : $V_{CC}=1.0$ to $3.6V$
Head room (Dolby Level +12dB) is guaranteed to 1.1V.
- Low consumption current : 1 total = 3.6mA
- Small number of parts
- Buffer amplifier with switches, GND switch pin
- Stand-by switches greatly saving the consumption current
- Small package : 0.5mm pitch 24-lead SOP type

*"Dolby" and double D symbols are trademarks of Dolby Laboratories Licensing Corporation. The use of this product requires the approval of Dolby Laboratories Licensing Corporation in advance.



■ Block Diagram



■ Pin Description

Pin No.	Pin Name	Pin No.	Pin Name
1	GND	13	Buffer Amp. ON/OFF
2	NR Decode Input	14	GND Switch ON/OFF
3	V _{REF}	15	Control Voltage
4	Buffer Amp. Input	16	Weighting Amp. Filter
5	Buffer Amp. Output	17	Side Chain Filter
6	GND Switch	18	NR Decode Output
7	NR Decode Output	19	GND Switch
8	Side Chain Filter	20	Buffer Amp. Output
9	Weighting Amp. Filter	21	Buffer Amp. Input
10	Control Voltage	22	I _{REF}
11	NR ON/OFF	23	NR Decode Input
12	Stand-by ON/OFF	24	V _{CC}

■ Absolute Maximum Ratings (Ta=25°C)

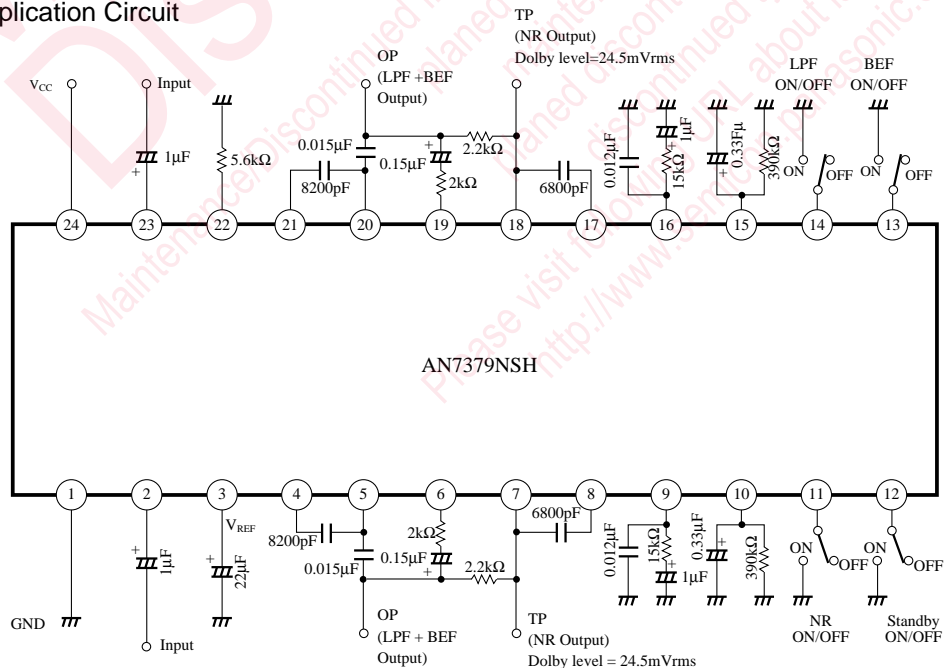
Parameter	Symbol	Rating	Unit
Supply Voltage	V _{CC}	4.5	V
Supply Current	I _{CC}	10	mA
Power Dissipation (Ta =75°C)	P _D	45	mW
Operating Ambient Temperature	T _{opr}	-25 ~ + 75	°C
Storage Temperature	T _{stg}	-55 ~ + 125	°C

■ Recommended Operating Range (Ta= 25°C)

Parameter	Symbol	Range
Operating Supply Voltage Range	V _{CC}	1V ~ 3.6V

Note) The minimum operating voltage to conform to the standards of Dolby B type NR is 1.1V.

■ Application Circuit



■ Electrical Characteristics (Ta=25°C, V_{CC} = 1.2V, Dolby Reference Level ; 24.5mVrms (-30dBm) at TP)

Parameter		Symbol	Condition					min.	typ.	max.	Unit	
			NR	LPF	BPF	f Hz	Others					
Total Circuit Current	Standby OFF	I _{CC1}	OFF	OFF	OFF	—	No signals	2.8	3.8	5.0	mA	
	Standby OFF	I _{CC2}	ON	OFF	OFF	—	No signals	2.8	3.9	5.1	mA	
	Standby ON	I _{CC3}	OFF	OFF	ON	—	No signals	—	0	0.5	mA	
Standard Input Level ^{Note 1)}		V _{in}	OFF	OFF	OFF	1k	V _O = 24.5mVrms	20	23	26	mVrms	
Channel Balance		CB	OFF	OFF	OFF	1k	Channel Ratio	-1	0	-1	dB	
NR-Decode Characteristics ^{Note 2)}	(1)	NRD1	ON	OFF	OFF	10k	V _{in} = -29.6dB Theoretical NRD = V _O +40dB	-2	0	2	dB	
	(2)	NRD2	ON	OFF	OFF	1k	V _{in} = -23.9dB Theoretical NRD = V _O +30dB	-2	0	2	dB	
	(3)	NRD3	ON	OFF	OFF	1k	V _{in} = -15.8dB Theoretical NRD = V _O +20dB	-2.5	0	2.5	dB	
	(4)	NRD4	ON	OFF	OFF	10k	V _{in} = -17.4dB Theoretical NRD = V _O +20dB	-2.5	0	2.5	dB	
	(5)	NRD5	ON	OFF	OFF	10k	V _{in} = 0.4dB Theoretical NRD = V _O dB	-2	0	2	dB	
Total Harmonics Distortion ^{Note 3)}	(1)	THD1	OFF	ON	ON	1k	V _{in} = +10dB	—	0.2	0.5	%	
	(2)	THD2	ON	OFF	OFF	1k	V _{in} = +10dB	—	0.3	0.8	%	
Signal Handling ^{Note 3)}		(3)	THD3	ON	OFF	OFF	1k	V _{in} = +12dB	—	0.3	1.0	%
S/N Ratio ^{Note 4)}		S/N	ON	OFF	OFF	—	R _g = 5.6kΩ CCIR/ARM – Filter	70	72	—	dB	
Filter Characteristics ^{Note 5)}	(1)	G _{V1}	OFF	OFF	OFF	1k	V _{in} = 0dB	-1.5	-0.5	0.5	dB	
	(2)	G _{V2}	OFF	ON	ON	1k	V _{in} = 0dB	-8	-6.5	-5	dB	
	(3)	G _{V3}	OFF	ON	ON	5.5k	V _{in} = 0dB	-20	-17	-12	dB	
Channel Crosstalk	NR : OFF	CT1	ON	OFF	OFF	1k	V _{in} = 0dB	—	50	—	dB	
	NR : ON	CT1	OFF	OFF	OFF	1k	V _{in} = 0dB	—	50	—	dB	

Note 1) Adjust input level for output level equal to 24.5mVrms, and set the reference input level to 0dB.

Note 2) Output level as compared with Standard 0dB = 24.5mVrms..Measurement point : TP

Note 3) Measurement point : OP

Note 4) Measurement point : TP

Note 5) Measurement point as compared with 24.5mVrms : Output level at OP

Request for your special attention and precautions in using the technical information and semiconductors described in this book

- (1) If any of the products or technical information described in this book is to be exported or provided to non-residents, the laws and regulations of the exporting country, especially, those with regard to security export control, must be observed.
- (2) The technical information described in this book is intended only to show the main characteristics and application circuit examples of the products, and no license is granted under any intellectual property right or other right owned by our company or any other company. Therefore, no responsibility is assumed by our company as to the infringement upon any such right owned by any other company which may arise as a result of the use of technical information described in this book.
- (3) The products described in this book are intended to be used for standard applications or general electronic equipment (such as office equipment, communications equipment, measuring instruments and household appliances).
Consult our sales staff in advance for information on the following applications:
 - Special applications (such as for airplanes, aerospace, automobiles, traffic control equipment, combustion equipment, life support systems and safety devices) in which exceptional quality and reliability are required, or if the failure or malfunction of the products may directly jeopardize life or harm the human body.
 - Any applications other than the standard applications intended.
- (4) The products and product specifications described in this book are subject to change without notice for modification and/or improvement. At the final stage of your design, purchasing, or use of the products, therefore, ask for the most up-to-date Product Standards in advance to make sure that the latest specifications satisfy your requirements.
- (5) When designing your equipment, comply with the range of absolute maximum rating and the guaranteed operating conditions (operating power supply voltage and operating environment etc.). Especially, please be careful not to exceed the range of absolute maximum rating on the transient state, such as power-on, power-off and mode-switching. Otherwise, we will not be liable for any defect which may arise later in your equipment.
 - Even when the products are used within the guaranteed values, take into the consideration of incidence of break down and failure mode, possible to occur to semiconductor products. Measures on the systems such as redundant design, arresting the spread of fire or preventing glitch are recommended in order to prevent physical injury, fire, social damages, for example, by using the products.
- (6) Comply with the instructions for use in order to prevent breakdown and characteristics change due to external factors (ESD, EOS, thermal stress and mechanical stress) at the time of handling, mounting or at customer's process. When using products for which damp-proof packing is required, satisfy the conditions, such as shelf life and the elapsed time since first opening the packages.
- (7) This book may be not reprinted or reproduced whether wholly or partially, without the prior written permission of Matsushita Electric Industrial Co., Ltd.