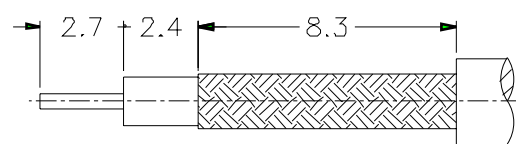
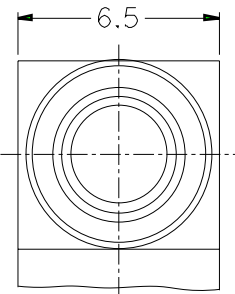


1 2 3 4 5 6 7 8

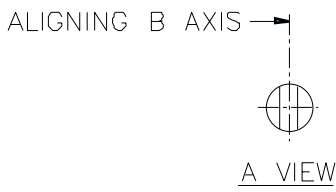
REVISIONS		
ISS	ZONE	DESCRIPTION \ PER REQUEST \ DATE



RECOMMENDED CABLE STRIPPING DIM'S

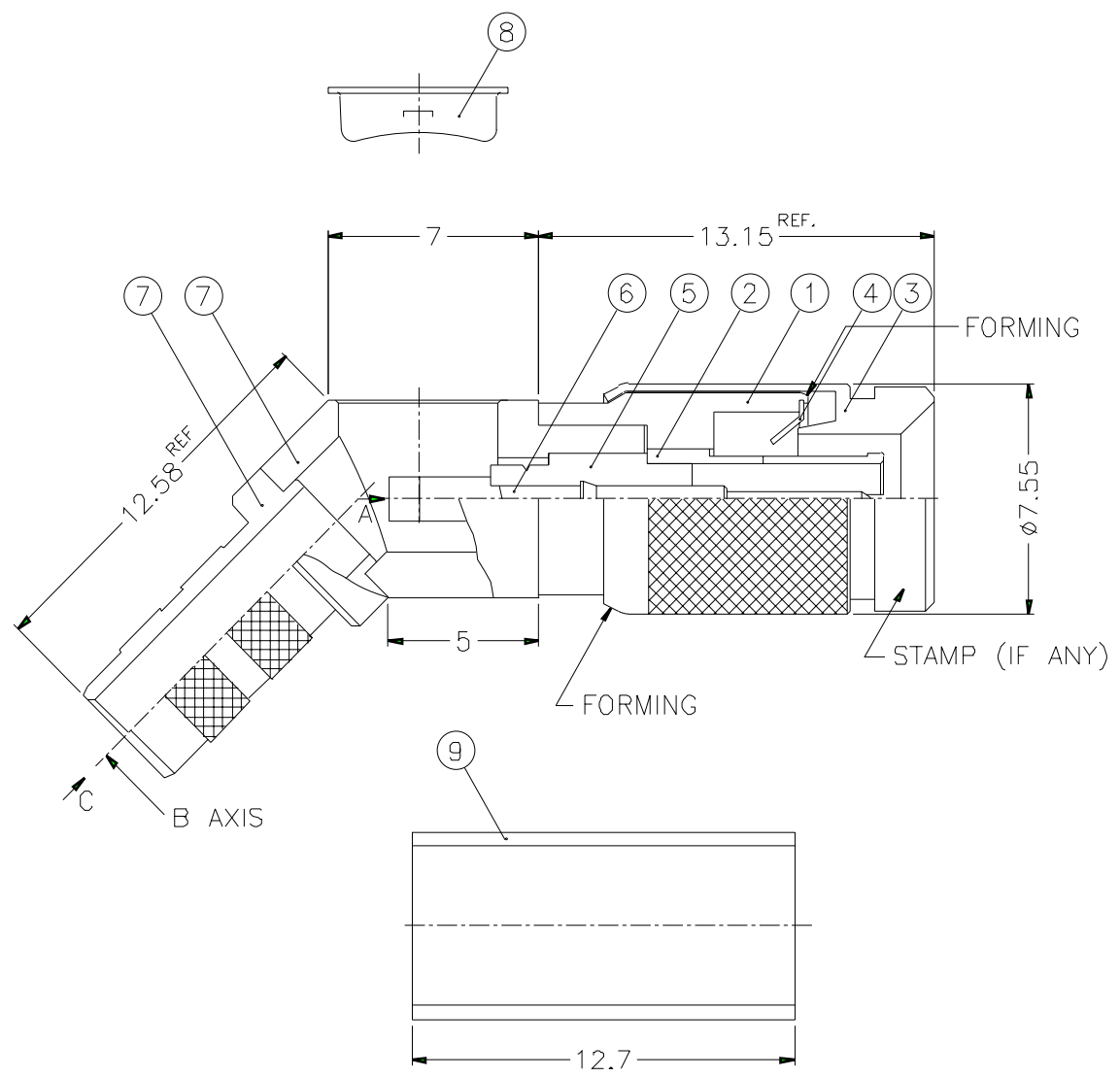


C VIEW



A VIEW

- 1. CRIMPED FERRULE
HEX CRIMP SIZE .204"
- 2. CONTACT PIN TO SOLDER



NO.	DESCRIPTION	MATERIAL	FINISH	Q'TY	DRAWING NO.
9	FERRULE	COPPER	NICKEL	1	FR-61/52X127
8	COVER	BRASS	NICKEL	1	4C-731-01
7	HOUSING WITH BARREL	BRASS	NICKEL	1	MBO0ABB01A
6	CONTACT PIN	BRASS	NOTE 8	1	CP10AAQ01A
5	INSULATOR	PTFE	NATURAL	1	4C-727-04-75
4	SPRING	BEUC	NATURAL	1	123-PLUG-SPR
3	SHELL	BRASS	NICKEL	1	SH10AAC01A
2	OUT CONTACT	BEUC	GOLD	1	4C-980-01-D
1	BODY	BRASS	NICKEL	1	BD00AGD01A

DIMENSIONS ARE IN MILLIMETERS				PART NO. 1231110L2-E23	
UNLESS OTHERWISE SPECIFIED TOLERANCES				APPROVED _____ DATE _____	
0.5-6 = ±0.2				CHECKED _____ DATE _____	
6-30 = ±0.4				DRAWN JOYCE DATE _____	
30-120 = ±0.6				FILE NO. F:\ND\10\1110\ERA\70\7F\MN	
120-315 = ±1					
315-1000 = ±1.6					
1000-2000 = ±2.4					

Amphenol RF	
TITLE 1.0/2.3 R/A 45° CRIMP PLUG (FOR RA-7000 ACBLE)	
DRAWING NO. 101110ERA70MN7F	
ITEM NO. 101110ERA70MN7F	

1 2 3 4 5 6 7 8

F
E
D
C
B
A

F
E
D
C
B
A