

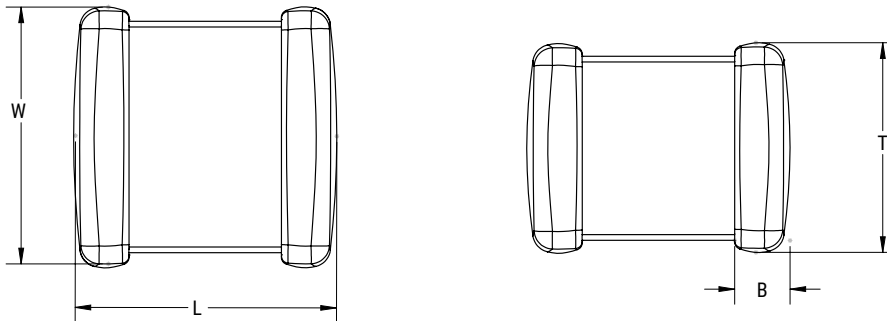
Ultra HiQ-CBR Squared Series, 0505 Case Size

High Power (10 – 100 pF)

Sample Kit Contents

KEMET Part Number	Case Size	Capacitance	Capacitance Tolerance	Rated Voltage	Dielectric	Quantity
	EIA/Metric	pF	%	VDC		
CBR05C100JAGAC	0505/1414	10	±5	250	COG	50
CBR05C110JAGAC	0505/1414	11	±5	250	COG	50
CBR05C120JAGAC	0505/1414	12	±5	250	COG	50
CBR05C150JAGAC	0505/1414	15	±5	250	COG	50
CBR05C150JAGAC	0505/1414	15	±5	250	COG	50
CBR05C180JAGAC	0505/1414	18	±5	250	COG	50
CBR05C200JAGAC	0505/1414	20	±5	250	COG	50
CBR05C220JAGAC	0505/1414	22	±5	250	COG	50
CBR05C240JAGAC	0505/1414	24	±5	250	COG	50
CBR05C270JAGAC	0505/1414	27	±5	250	COG	50
CBR05C330JAGAC	0505/1414	33	±5	250	COG	50
CBR05C390JAGAC	0505/1414	39	±5	250	COG	50
CBR05C470JAGAC	0505/1414	47	±5	250	COG	50
CBR05C560JAGAC	0505/1414	56	±5	250	COG	50
CBR05C680JAGAC	0505/1414	68	±5	250	COG	50
CBR05C820JAGAC	0505/1414	82	±5	250	COG	50
CBR05C101JAGAC	0505/1414	100	±5	250	COG	50

Dimensions – Millimeters (Inches)



Case Size (in.)	Case Size (mm)	L Length	W Width	T Thickness	B Bandwidth	Mounting Technique
0505	1414	1.40+0.38/-0.25 (0.055+0.015/-0.01)	1.40±0.38 (0.055±0.015)	1.15±0.15 (0.045±0.006)	0.25+0.25-0.13 (0.010+0.010-0.005)	Solder Reflow Only

KEMET Electronics Corporation Sales Offices

For a complete list of our global sales offices, please visit www.kemet.com/sales.

Disclaimer

YAGEO Corporation and its affiliates do not recommend the use of commercial or automotive grade products for high reliability applications or manned space flight.

All product specifications, statements, information and data (collectively, the "Information") in this datasheet are subject to change. The customer is responsible for checking and verifying the extent to which the Information contained in this publication is applicable to an order at the time the order is placed. All Information given herein is believed to be accurate and reliable, but it is presented without guarantee, warranty, or responsibility of any kind, expressed or implied.

Statements of suitability for certain applications are based on KEMET Electronics Corporation's ("KEMET") knowledge of typical operating conditions for such applications, but are not intended to constitute – and KEMET specifically disclaims – any warranty concerning suitability for a specific customer application or use. The Information is intended for use only by customers who have the requisite experience and capability to determine the correct products for their application. Any technical advice inferred from this Information or otherwise provided by KEMET with reference to the use of KEMET's products is given gratis, and KEMET assumes no obligation or liability for the advice given or results obtained.

Although KEMET designs and manufactures its products to the most stringent quality and safety standards, given the current state of the art, isolated component failures may still occur. Accordingly, customer applications which require a high degree of reliability or safety should employ suitable designs or other safeguards (such as installation of protective circuitry or redundancies) in order to ensure that the failure of an electrical component does not result in a risk of personal injury or property damage.

Although all product-related warnings, cautions and notes must be observed, the customer should not assume that all safety measures are indicated or that other measures may not be required.

KEMET is a registered trademark of KEMET Electronics Corporation.