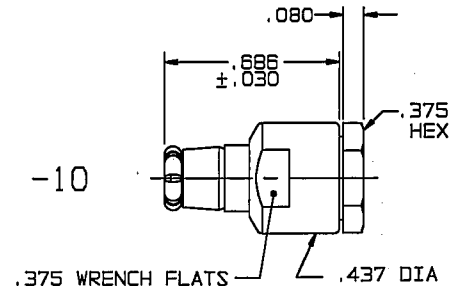
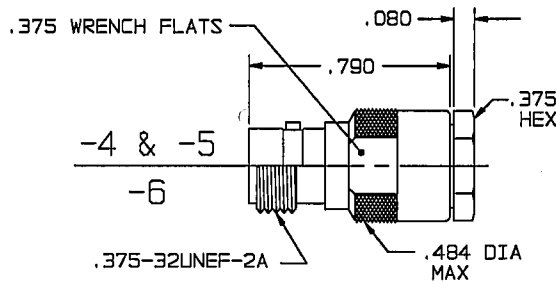
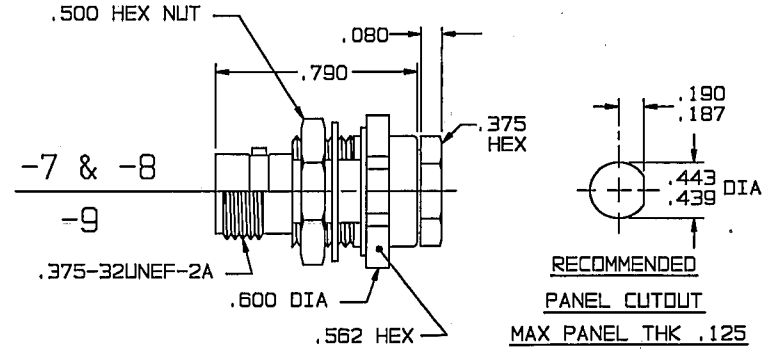
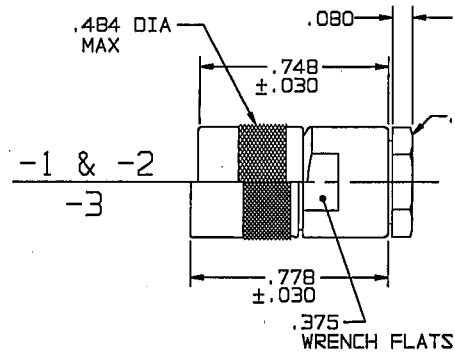


# RED INDICATES ORIGINAL

DATA CONTAINED IN THIS DOCUMENT IS PROPRIETARY TO TROMPETER ELECTRONICS INC. AND SHALL NOT BE DISCLOSED, COPIED OR USED FOR PROCUREMENT OR MANUFACTURE WITHOUT EXPRESS WRITTEN PERMISSION.

| REVISIONS |    |                    | 105-1919 |          | SH   |
|-----------|----|--------------------|----------|----------|------|
| REV       | ED | DESCRIPTION        | DWN      | APPROVED | DATE |
| A         |    | PRODUCTION RELEASE | R L      |          |      |

| DASH NO | CONNECTOR TYPE | MATERIAL | ASSEMBLE PER |
|---------|----------------|----------|--------------|
| -1      | PL50           | 1-0018-1 | TAI-134      |
| -2      | PL50FL         | 1-0018-1 |              |
| -3      | PL350          | 1-0459-1 |              |
| -4      | CJ50           | 1-0137-1 |              |
| -5      | CJ50FL         | 1-0051-1 |              |
| -6      | CJ350          | 1-0464-1 |              |
| -7      | BJ59           | 1-0174-1 |              |
| -8      | BJ59FL         | 1-0021-1 |              |
| -9      | BJ359          | 1-0460-1 |              |
| -10     | PL53           | 1-0449-1 |              |



**4** REPLACE CLAMP NUT 8-1661-1 WITH CLAMP NUT 8-1661-24

3. SUBMINIATURE COAXIAL, 3-LUG, 4-LUG AND THREADED CABLE PLUGS/RECEPTACLE, NON-INSULATED BULKHEAD MOUNT RECEPTACLE AND PUSH-ON CABLE PLUG FOR BELDEN CABLE NO 89907/82907

2. FINISH: TFS-1A (NICKEL)

1. ALL DIM ARE IN INCHES

| QTY  | DESCRIPTION                            | PART NUMBER                 | ITEM        |
|--|--|-----------------------------|-------------|
| TOL UNLESS SPECIFIED<br>.XX ±<br>.XXX ±.005<br>.XXXX ±<br>ANGLES ± | <b>TROMPETER<br/>ELECTRONICS, INC.</b> | "50" SERIES-<br>89907/82907 |             |
| DWN R L 12/17/98   | MATERIAL                               | CODE IDENT                  | DRAWING NO. |
| CHK [Signature] 12-22-98   |  | 14949                       | 105-1919    |
| ENGR [Signature]   | SCALE                                  | DATE 12/23/98               | REV A       |
| NEXT ASSY  | APPR [Signature] 12-22-98              | SHEET                       |             |