

4600 Z

## AC axial compact fan



### ebm-papst St. Georgen GmbH & Co. KG

Hermann-Papst-Str. 1  
D-78112 St. Georgen  
Phone +49 (0) 7724 81-0  
Fax +49 (0) 7724 81-1309  
info2@de.ebmpapst.com  
www.ebmpapst.com

### Nominal data

| Type                     | 4600 Z            |      |
|--------------------------|-------------------|------|
| Phase                    |                   | 1~   |
| Nominal voltage          | VAC               | 115  |
| Frequency                | Hz                | 60   |
| Speed (rpm)              | min <sup>-1</sup> | 3100 |
| Power consumption        | W                 | 18.0 |
| Min. ambient temperature | °C                | -10  |
| Max. ambient temperature | °C                | 60   |
| Air flow                 | m <sup>3</sup> /h | 180  |
| Sound power level        | B                 | 5.6  |
| Sound pressure level     | dB(A)             | 45   |

ml = Max. load · me = Max. efficiency · fa = Free air · cs = Customer specification · ce = Customer equipment  
Subject to change

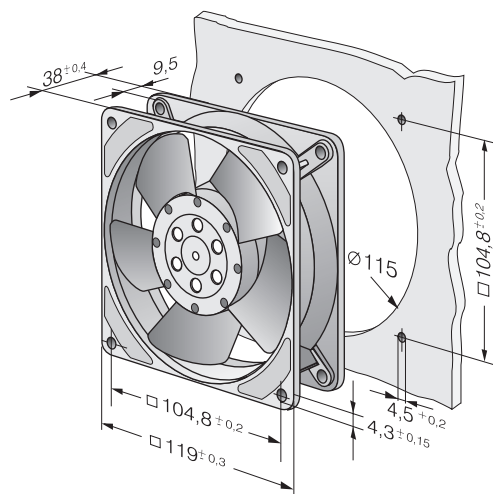


**Technical description**

|  |   |
|--|---|
| <b>Weight</b>                                  | 0.540 kg  |
| <b>Dimensions</b>                              | 119 x 119 x 38 mm   |
| <b>Impeller material</b>                       | Sheet steel, painted black  |
| <b>Housing material</b>                        | Die-cast aluminum   |
| <b>Airflow direction</b>                       | Exhaust over struts   |
| <b>Direction of rotation</b>                   | Clockwise, viewed toward rotor                                    |
| <b>Storage</b>                                 | Sintec sleeve bearing   |
| <b>Service life L10 at 40 °C</b>               | 40000 h   |
| <b>Service life L10 at maximum temperature</b> | 25000 h   |
| <b>Cable</b>                                   | 2 flat plugs 2.8 x 0.5 mm. Housing with grounding lug for M4 x 8. |
| <b>Motor protection</b>                        | Protected from overload by impedance protection                   |
| <b>Approval</b>                                | VDE, CSA, UL, CE  |
| <b>Option</b>                                  | Electrical hookup to leads, 310 mm long, is available.            |



## Product drawing



Curves: Air performance

