

Double Balanced Mixer

Multi-Octave Band

Model MM9xxN

RF 6.0 to 18.0 GHz

Electrical Specifications ⁽¹⁾:

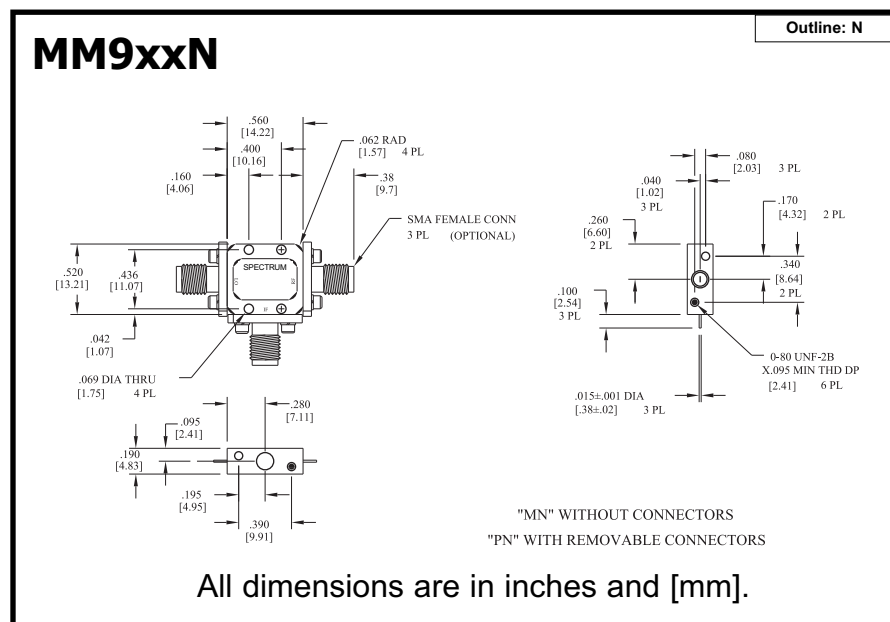
Parameter	Conditions			Specifications		
	RF(GHz)	LO(GHz)	IF(MHz)	Min	Typical	Max
SSB Conversion loss: ^{(2) (3)}	6.0-18.0	6.0-18.0	DC-1000		5.5 dB	7.0 dB
	6.0-18.0	6.0-18.0	DC-2000		6.0 dB	7.5 dB
	6.0-18.0	6.0-18.0	DC-3000		7.0 dB	8.5 dB
Isolation						
	LO to RF:	6.0-18.0		23 dB	32 dB	
	LO to IF:	6.0-18.0		24 dB	34 dB	
RF to IF:	6.0-18.0			22 dB		
Input 1-dB Compression Point:	6.0-18.0	6.0-18.0	DC-3000		+2 dBm +5 dBm +8 dBm +12 dBm	MM93 MM94 MM96 MM97
Input Third Order Intercept Point:	6.0-18.0	6.0-18.0	DC-3000		+11 dBm +14 dBm +18 dBm +23 dBm	MM93 MM94 MM96 MM97
LO Power: ⁽⁴⁾	6.0-18.0	6.0-18.0	DC-3000		+7 dBm +10 dBm +14 dBm +19 dBm	MM93 MM94 MM96 MM97

LO Power ←
 3 = +7 dBm
 4 = +10 dBm
 6 = +14 dBm
 7 = +19 dBm

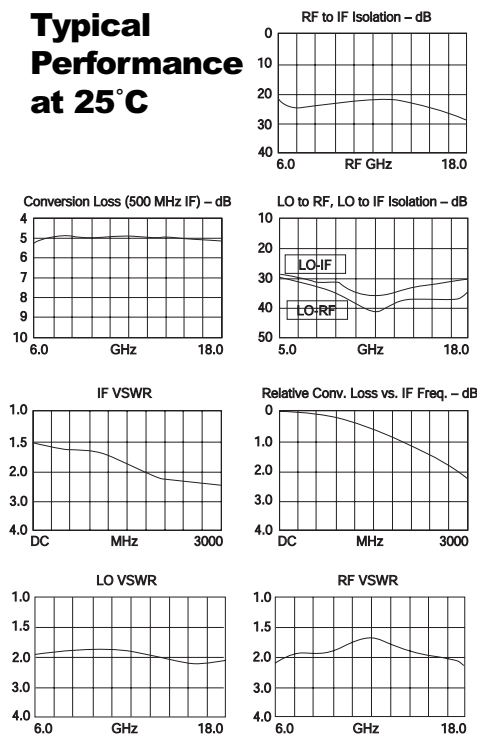
→ **Drop-In Module or With SMA(F) Connectors**
 M = Module
 P = With Connectors

Notes:

- Specifications are guaranteed when tested as a downconverter in a 50 Ohm system from -55°C to +100°C with the nominal LO power. Specifications indicated as typical are not guaranteed.
- Noise figure is typically within ±0.5 dB of conversion loss for IF frequencies greater than 10 MHz.
- Conversion loss typically degrades less than 0.5 dB at +100°C and improves less than 0.5 dB at -55°C.
- Usable LO drives are up to 2 dB below and 3 dB above nominal.



Typical Performance at 25°C



Mixers