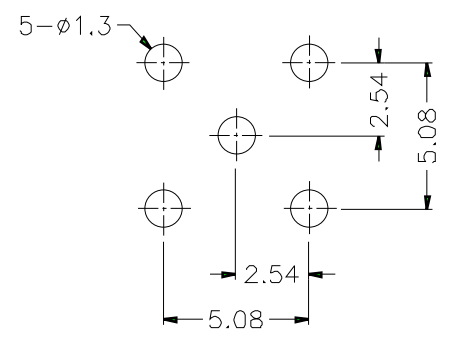
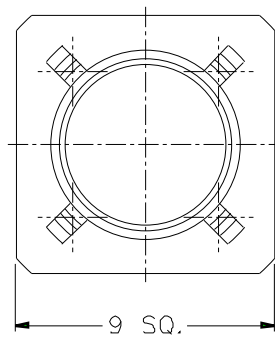
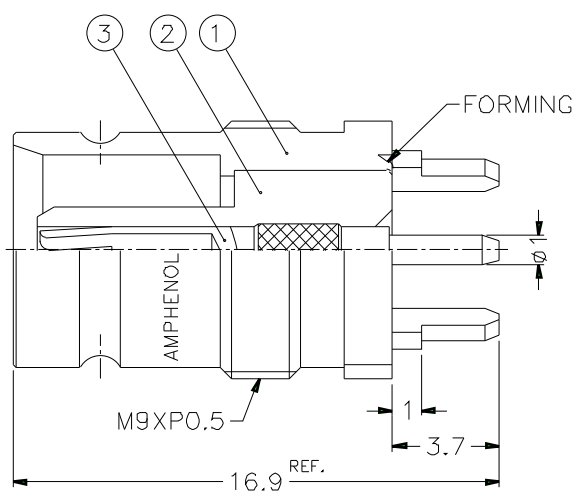


1			2			3			4			5			6			7			8		
REVISIONS																							
ISS	ZONE	DESCRIPTION\PER REQUEST\DATE																					

F
E
D
C
B
A



PCB MOUNTING HOLE

- CONNECTOR ACCORDING TO NFC 93-570, DIN 47-295, CEI 169-13
- PACKAGING IN BAG WITH COMMERCIAL PART NUMBER AND DATE CODE

DIMENSIONS ARE IN MILLIMETERS											PART NO. 156 665 04			Amphenol																													
<table border="1"> <tr> <td>3</td> <td>CONTACT PIN</td> <td>BECU</td> <td>GOLD</td> <td>1</td> <td></td> </tr> <tr> <td>2</td> <td>INSULATOR</td> <td>TEFLON</td> <td>NATURAL</td> <td>1</td> <td></td> </tr> <tr> <td>1</td> <td>BODY</td> <td>BRASS</td> <td>GOLD</td> <td>1</td> <td></td> </tr> <tr> <td>NO.</td> <td>DESCRIPTION</td> <td>MATERIAL</td> <td>FINISH</td> <td>Q'TY</td> <td>DRAWING NO.</td> </tr> </table>											3	CONTACT PIN	BECU				GOLD	1		2	INSULATOR	TEFLON	NATURAL	1		1	BODY	BRASS	GOLD	1		NO.	DESCRIPTION	MATERIAL	FINISH	Q'TY	DRAWING NO.	APPROVED			DATE 10-11-01'		
											3	CONTACT PIN	BECU	GOLD	1																												
											2	INSULATOR	TEFLON	NATURAL	1																												
1	BODY	BRASS	GOLD	1																																							
NO.	DESCRIPTION	MATERIAL	FINISH	Q'TY	DRAWING NO.																																						
CHECKED			DATE 10-11-01'			DRAWING NO.																																					
DRAWN			DATE 10-11-01'			ITEM NO.																																					
SCALE 4/1 ISSUE A											FILE NO.																																

1 2 3 4 5 6 7 8