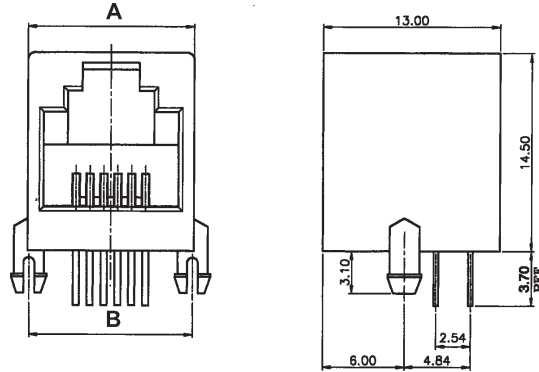


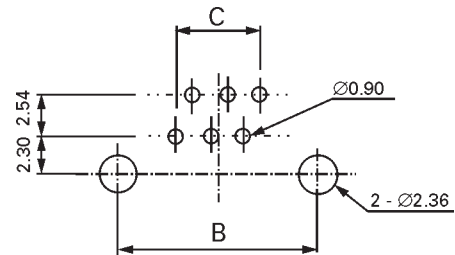
## TS\*\*

### Materials and Finish

Standard material: Glass filled polyester (UL94V-0)  
 Standard color: Black  
 Contact: Thickness 0.35mm Alloy C5210,  
 Gold plating over Nickel (contact area)  
 Tin Plating over nickel (solder area)



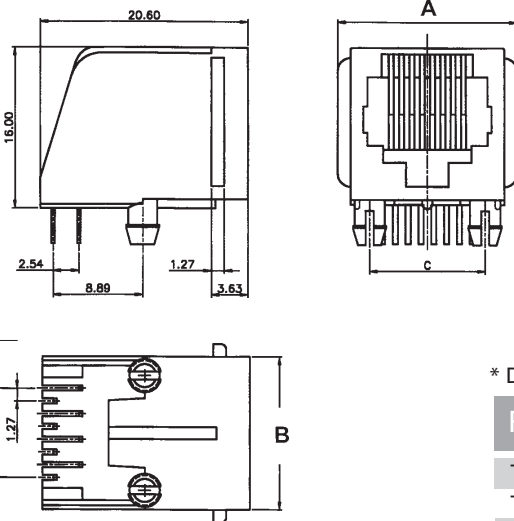
PCB-Layout



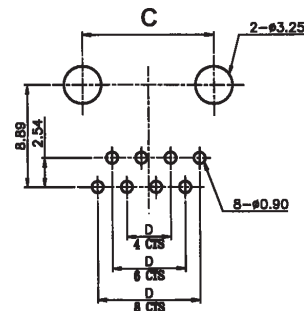
\* Depopulation of contacts possible

Part No.	No. of Positions	A	B	C
TS4*	4	10.00	10.00	3.06
TS6*	6	12.20	12.00	5.10
TS8*	8	15.10	15.00	7.14
TS10*	10	15.10	15.00	9.18

## TS2K\*\*



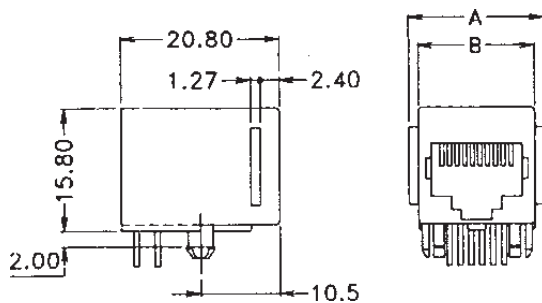
PCB-Layout



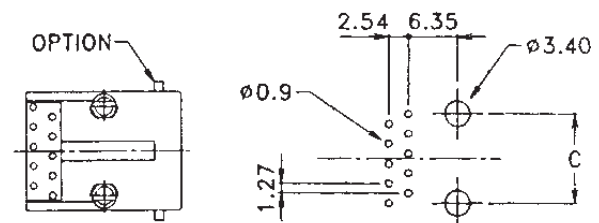
\* Depopulation of contacts possible

Part No.	No. of Positions	A	B	C	D
TS2K4*	4	13.72	11.18	7.62	3.81
TS2K6*	6	15.75	13.21	10.16	6.35
TS2K8*	8	17.78	15.24	11.43	8.89

## TS2K\*\*-C



PCB-Layout



\* Depopulation of contacts possible

Part No.	No. of Positions	A	B	C
TS2K4*-C	4	13.72	11.48	7.62
TS2K6*-C	6	15.75	13.21	10.16
TS2K8*-C	8	17.78	15.24	11.43
TS2K10*-C	10	17.78	15.24	11.43

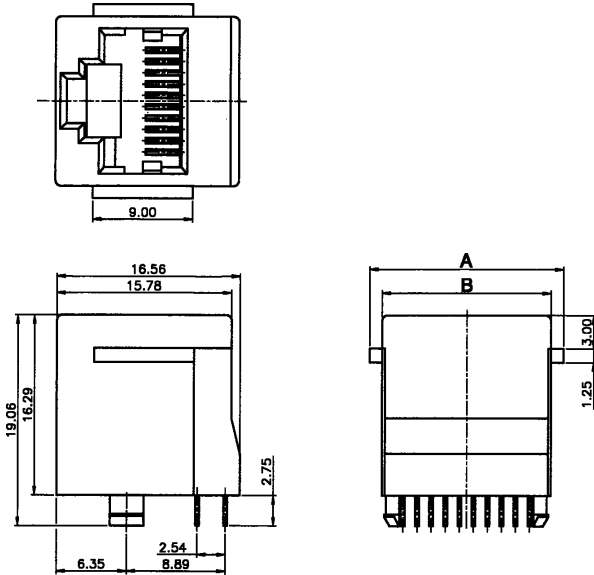
### Materials and Finish

Standard material: Glass filled polyester (UL94V-0)  
 Standard color: Black  
 Contact: Thickness 0.35mm Alloy C5210,  
 Gold plating over Nickel (contact area)  
 Tin Plating over nickel (solder area)

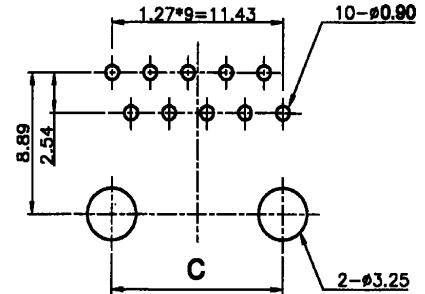
## TS3K\*\*

### Materials and Finish

Standard material: Glass filled polyester (UL94V-0)  
 Standard color: Black  
 Contact: Thickness 0.35mm Alloy C5210,  
 Gold plating over Nickel (contact area)  
 Tin Plating over nickel (solder area)



PCB-Layout



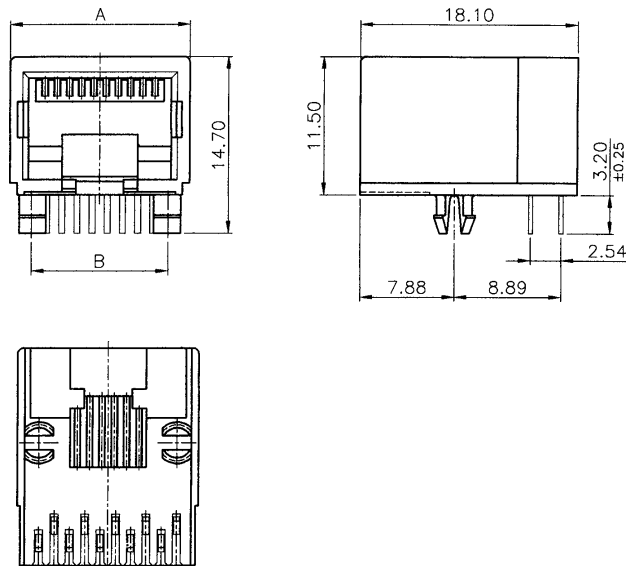
\* Depopulation of contacts possible

Part No.	No. of Positions	A	B	C
TS3K4*	4	13.97	11.43	7.63
TS3K6*	6	16.00	13.46	10.16
TS3K8*	8	17.50	15.26	11.43
TS3K10*	10	17.50	15.26	11.43

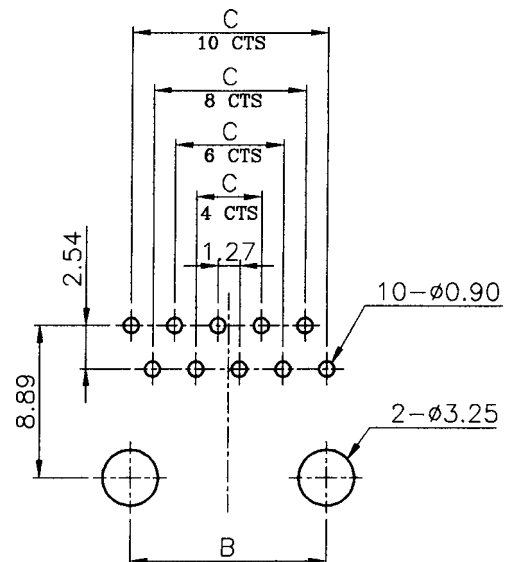
## TS6K\*\*-A

### Materials and Finish

Standard material: Glass filled polyester (UL94V-0)  
 Standard color: Black  
 Contact: Thickness 0.35mm Alloy C5210,  
 Gold plating over Nickel (contact area)  
 Tin Plating over nickel (solder area)



PCB-Layout



\* Depopulation of contacts possible

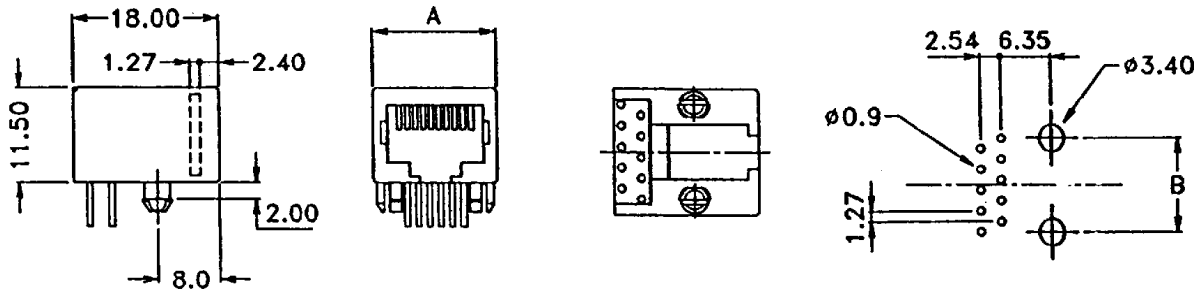
Part No.	No. of Positions	A	B	C
TS6K4*-A	4	11.21	7.62	3.81
TS6K6*-A	6	12.96	10.16	6.35
TS6K8*-A	8	15.00	11.43	8.89
TS6K10*-A	10	15.00	11.43	11.43

TS6K\*\*-C

Materials and Finish

Standard material: Glass filled polyester (UL94V-0)  
 Standard color: Black  
 Contact: Thickness 0.35mm Alloy C5210,  
 Gold plating over Nickel (contact area)  
 Tin Plating over nickel (solder area)

PCB-Layout



\* Depopulation of contacts possible

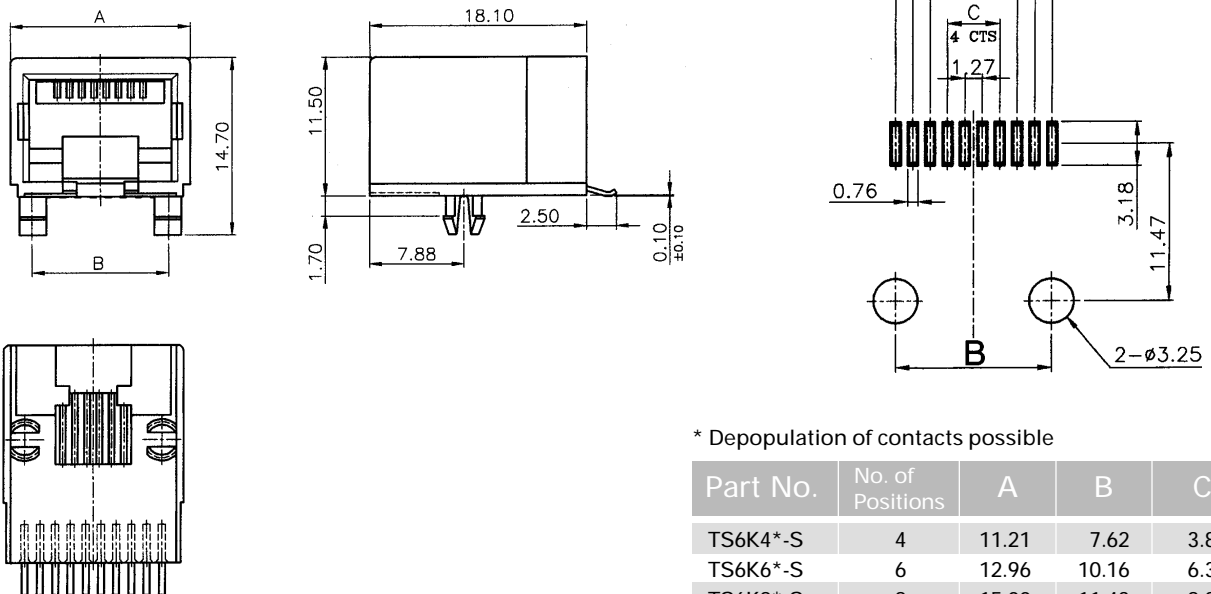
Part No.	No. of Positions	A	B
TS6K4*-C	4	11.20	7.62
TS6K6*-C	6	13.20	10.16
TS6K8*-C	8	15.20	11.43
TS6K10*-C	10	15.20	11.43

TS6K\*\*-S (SMT with Side Entry)

Materials and Finish

Standard material: Glass filled polyester (UL94V-0)  
 Standard color: Black  
 Contact: Thickness 0.35mm Alloy C5210,  
 Gold plating over Nickel (contact area)  
 Tin Plating over nickel (solder area)

PCB-Layout



\* Depopulation of contacts possible

Part No.	No. of Positions	A	B	C
TS6K4*-S	4	11.21	7.62	3.81
TS6K6*-S	6	12.96	10.16	6.35
TS6K8*-S	8	15.00	11.43	8.89
TS6K10*-S	10	15.00	11.43	11.43