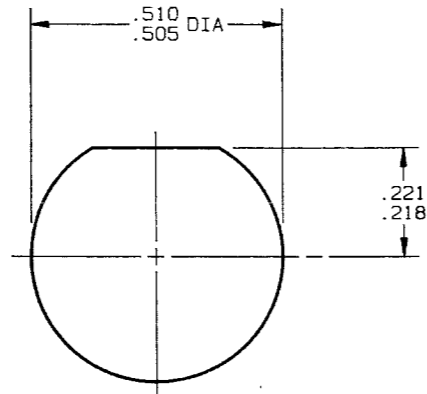


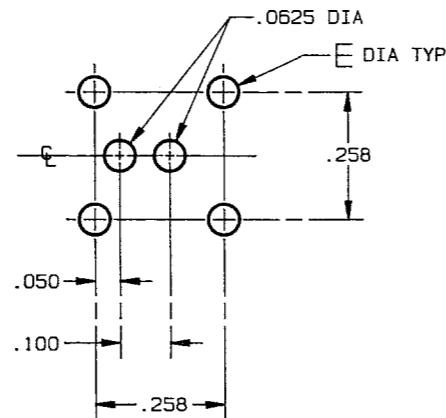
DISK #	DWG SIZE	DATA CONTAINED IN THIS DOCUMENT IS PROPRIETARY TO TROMPETER ELECTRONICS INC. AND SHALL NOT BE DISCLOSED, COPIED OR USED FOR PROCUREMENT OR MANUFACTURE WITHOUT EXPRESS WRITTEN PERMISSION.	REVISIONS		3-0273	SH 1		
H 9	C		REV	EO	DESCRIPTION	DWN	APPROVED	DATE
			E	9495	-1 AND -2 .090 WAS .070	AAH	<i>[Signature]</i>	10-28-91

DASH NO	MODEL NO	LTR CODE	A DIM	B DIM	C DIM	D DIM	E DIA
-1	CBBJR79TL	—	.24	.565	.050	.090	.0625
-2	CBBJR79TLA	A	.34	.665	.058	.090	.070

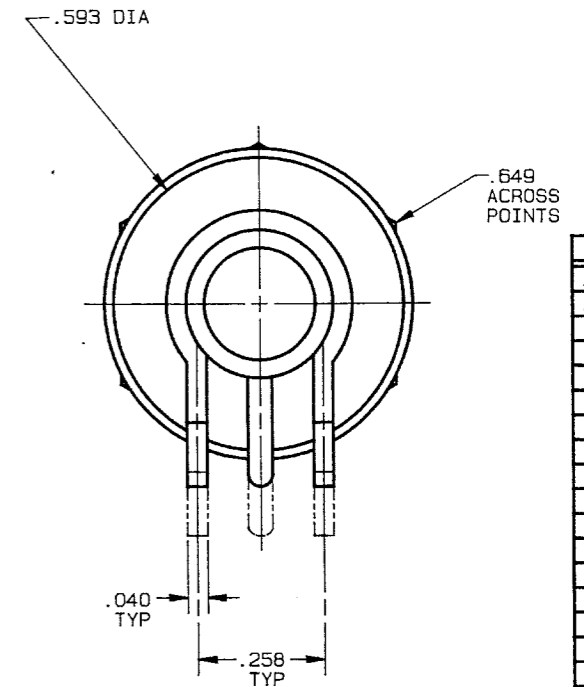
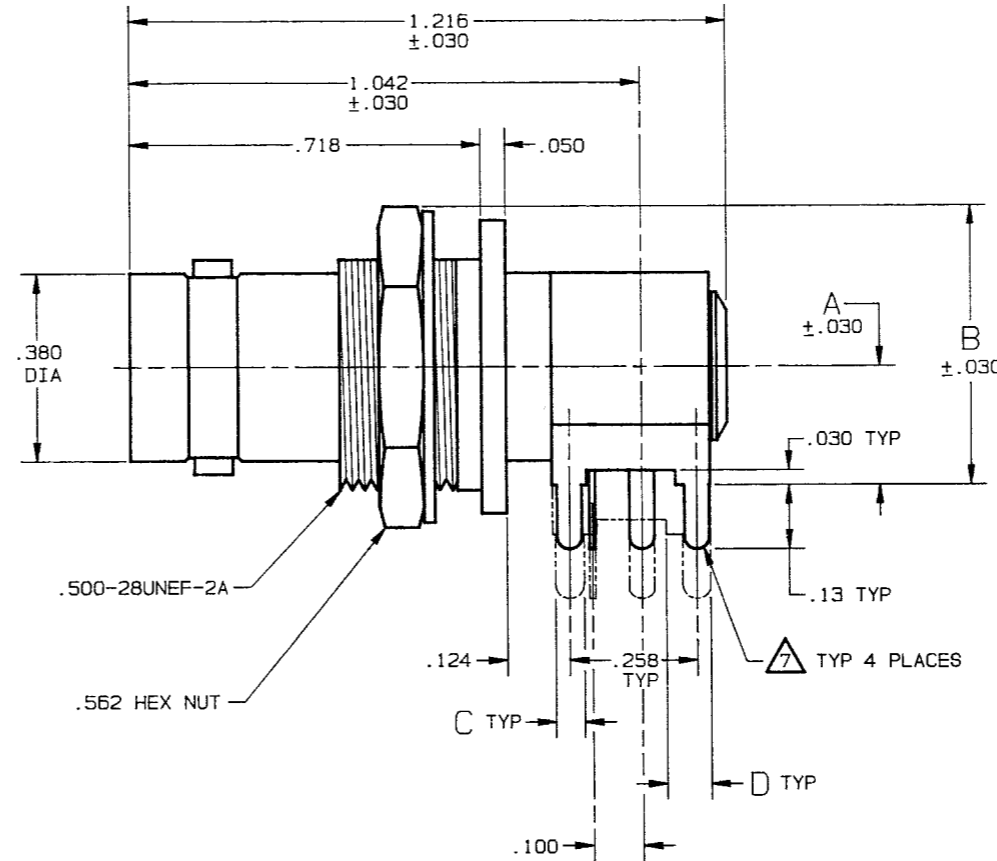
RED INDICATES ORIGINAL




RECOMMENDED  
PANEL CUTOUT



RECOMMENDED MTG  
HOLE PATTERN



INCH	MM
.0010	0.03
.0015	0.04
.005	0.13
.030	0.76
.040	1.02
.050	1.27
.058	1.47
.060	1.52
.0625	1.59
.070	1.78
.090	2.29
.100	2.54
.124	3.15
.125	3.18
.13	3.30
.218	5.54
.221	5.61
.24	6.10
.258	6.55
.34	8.64
.380	9.65
.505	12.83
.510	12.95
.562	14.27
.565	14.35
.593	15.06
.649	16.48
.665	16.89
.718	18.24
1.042	26.47
1.216	30.89

- 1. ALL DIM ARE IN INCHES
- 2. CONCENTRIC TWINAX/TRIAX RIGHT ANGLE CIRCUIT BOARD AND BULKHEAD MOUNTING 2-LUG TRB SERIES RECEPTACLE
- 3. FINISH: TFS-1A (NICKEL)
- 4. EXAMPLE OF COMPLETE MODEL NO:  
CBBJR79TL A  
— LTR CODE (SEE TABLE)   
— BASIC MODEL NO (SEE TABLE)
- 5. LTR CODE "A" SHOWN IN PHANTOM
- 6. MAX PNL THK .125
- 7. PRE-TINNED, .0015 MAXIMUM THICKNESS WITH SN63 OR EQUIV SOLDER, PER QQ-S-571, TO WITHIN .060 MAXIMUM OF SHOULDER, AFTER PLATING

TOL UNLESS SPECIFIED		DESCRIPTION		PART NUMBER		ITEM		
.XX ±	.XXX ± .005	<b>TROMPETER ELECTRONICS, INC.</b>		CBBJR79TL / A				
.XXX ± .005	.XXXX ± .0010							
ANGLS ±		DWN	AAH	10-17-91	MATERIAL	CODE IDENT	DRAWING NO.	REV
CHK	BH	10-17-91				14949	3-0273	E
ENGR	KQ	10-17-91						
APPR					SCALE 4/1	DATE 12-4-85	SHEET 1 OF 2	