

ADS-N3N8	N Plug To N Jack	50Ω																				
<p>Typical VSWR</p> <table border="1" style="margin: auto; border-collapse: collapse;"> <thead> <tr> <th>Part Number</th> <th>1 GHz</th> <th>2 GHz</th> <th>3 GHz</th> <th>4 GHz</th> <th>5 GHz</th> <th>6 GHz</th> <th>7 GHz</th> <th>8 GHz</th> <th>9 GHz</th> </tr> </thead> <tbody> <tr> <td>ADS-N3N8</td> <td>1.08</td> <td>1.08</td> <td>1.08</td> <td>1.08</td> <td>1.1</td> <td>1.13</td> <td>1.13</td> <td>1.13</td> <td>1.22</td> </tr> </tbody> </table>			Part Number	1 GHz	2 GHz	3 GHz	4 GHz	5 GHz	6 GHz	7 GHz	8 GHz	9 GHz	ADS-N3N8	1.08	1.08	1.08	1.08	1.1	1.13	1.13	1.13	1.22
Part Number	1 GHz	2 GHz	3 GHz	4 GHz	5 GHz	6 GHz	7 GHz	8 GHz	9 GHz													
ADS-N3N8	1.08	1.08	1.08	1.08	1.1	1.13	1.13	1.13	1.22													
Parts	Material	Plating (Micro-inch)																				
Contact Pin(Plug)	Brass	Gold 10 Over Nickel 50 Over Copper 50																				
Retainer Ring	Brass	Tin-Zinc-Copper-Alloy 100 Over Copper 50																				
Gasket	Silicone																					
Contact Body	Stainless	Passivated																				
Contact Pin(Jack)	Beryllium Copper	Gold 10 Over Nickel 50 Over Copper 50																				
Insulator	Teflon																					
Body	Stainless	Passivated																				
Coupling Nut	Stainless	Passivated																				
<p>Weight: 49.21 g</p>																						

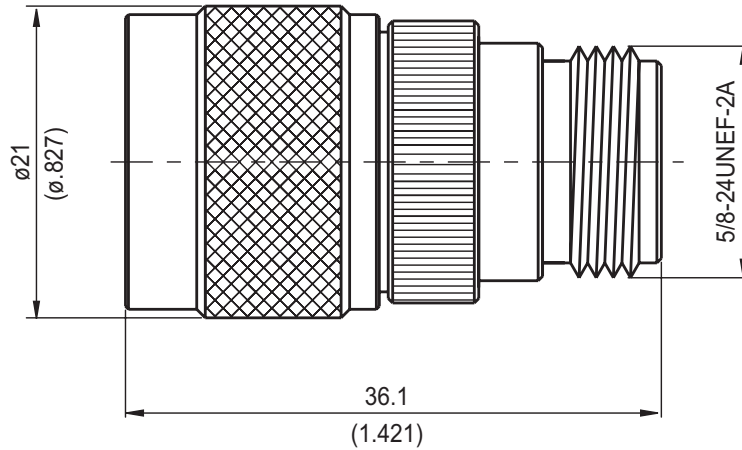
**Notice:** JYEBAO reserves the right to make modifications deemed appropriate.

AD-N3N8	N Plug To N Jack	50Ω																																							
<p>Typical VSWR</p> <table border="1" style="margin-left: auto; margin-right: auto; border-collapse: collapse;"> <thead> <tr> <th>Part Number</th> <th>1 GHz</th> <th>2 GHz</th> <th>3 GHz</th> <th>4 GHz</th> <th>5 GHz</th> <th>6 GHz</th> <th>7 GHz</th> <th>8 GHz</th> <th>9 GHz</th> </tr> </thead> <tbody> <tr> <td rowspan="2" style="text-align: center;">AD-N3N8</td> <td style="text-align: center;">1.02</td> <td style="text-align: center;">1.03</td> <td style="text-align: center;">1.03</td> <td style="text-align: center;">1.03</td> <td style="text-align: center;">1.07</td> <td style="text-align: center;">1.12</td> <td style="text-align: center;">1.13</td> <td style="text-align: center;">1.13</td> <td style="text-align: center;">1.13</td> </tr> <tr> <td style="text-align: center;">10 GHz</td> <td style="text-align: center;">11 GHz</td> <td style="text-align: center;">12 GHz</td> <td style="text-align: center;">13 GHz</td> <td style="text-align: center;">14 GHz</td> <td style="text-align: center;">15 GHz</td> <td style="text-align: center;">16 GHz</td> <td style="text-align: center;">17 GHz</td> <td style="text-align: center;">18 GHz</td> </tr> <tr> <td></td> <td style="text-align: center;">1.16</td> <td style="text-align: center;">1.2</td> <td style="text-align: center;">1.2</td> <td style="text-align: center;">1.2</td> <td style="text-align: center;">1.2</td> <td style="text-align: center;">1.2</td> <td style="text-align: center;">1.23</td> <td style="text-align: center;">1.23</td> <td style="text-align: center;">1.23</td> </tr> </tbody> </table>			Part Number	1 GHz	2 GHz	3 GHz	4 GHz	5 GHz	6 GHz	7 GHz	8 GHz	9 GHz	AD-N3N8	1.02	1.03	1.03	1.03	1.07	1.12	1.13	1.13	1.13	10 GHz	11 GHz	12 GHz	13 GHz	14 GHz	15 GHz	16 GHz	17 GHz	18 GHz		1.16	1.2	1.2	1.2	1.2	1.2	1.23	1.23	1.23
Part Number	1 GHz	2 GHz	3 GHz	4 GHz	5 GHz	6 GHz	7 GHz	8 GHz	9 GHz																																
AD-N3N8	1.02	1.03	1.03	1.03	1.07	1.12	1.13	1.13	1.13																																
	10 GHz	11 GHz	12 GHz	13 GHz	14 GHz	15 GHz	16 GHz	17 GHz	18 GHz																																
	1.16	1.2	1.2	1.2	1.2	1.2	1.23	1.23	1.23																																
<table border="1" style="width: 100%; border-collapse: collapse;"> <thead> <tr> <th style="width: 15%;">Parts</th> <th style="width: 15%;">Material</th> <th style="width: 70%;">Plating (Micro-inch)</th> </tr> </thead> <tbody> <tr> <td>Contact Pin</td> <td>Brass</td> <td>Gold 10 Over Nickel 50 Over Copper 50</td> </tr> <tr> <td>Retainer Ring</td> <td>Brass</td> <td>Tin-Zinc-Copper-Alloy 100 Over Copper 50</td> </tr> <tr> <td>Gasket</td> <td>Silicone</td> <td></td> </tr> <tr> <td>Contact Body</td> <td>Brass</td> <td>Tin-Zinc-Copper-Alloy 100 Over Copper 50</td> </tr> <tr> <td>Contact Pin</td> <td>Beryllium Copper</td> <td>Gold 10 Over Nickel 50 Over Copper 50</td> </tr> <tr> <td>Insulator</td> <td>Teflon</td> <td></td> </tr> <tr> <td>Body</td> <td>Brass</td> <td>Tin-Zinc-Copper-Alloy 100 Over Copper 50</td> </tr> <tr> <td>Coupling Nut</td> <td>Brass</td> <td>Tin-Zinc-Copper-Alloy 100 Over Copper 50</td> </tr> </tbody> </table>			Parts	Material	Plating (Micro-inch)	Contact Pin	Brass	Gold 10 Over Nickel 50 Over Copper 50	Retainer Ring	Brass	Tin-Zinc-Copper-Alloy 100 Over Copper 50	Gasket	Silicone		Contact Body	Brass	Tin-Zinc-Copper-Alloy 100 Over Copper 50	Contact Pin	Beryllium Copper	Gold 10 Over Nickel 50 Over Copper 50	Insulator	Teflon		Body	Brass	Tin-Zinc-Copper-Alloy 100 Over Copper 50	Coupling Nut	Brass	Tin-Zinc-Copper-Alloy 100 Over Copper 50												
Parts	Material	Plating (Micro-inch)																																							
Contact Pin	Brass	Gold 10 Over Nickel 50 Over Copper 50																																							
Retainer Ring	Brass	Tin-Zinc-Copper-Alloy 100 Over Copper 50																																							
Gasket	Silicone																																								
Contact Body	Brass	Tin-Zinc-Copper-Alloy 100 Over Copper 50																																							
Contact Pin	Beryllium Copper	Gold 10 Over Nickel 50 Over Copper 50																																							
Insulator	Teflon																																								
Body	Brass	Tin-Zinc-Copper-Alloy 100 Over Copper 50																																							
Coupling Nut	Brass	Tin-Zinc-Copper-Alloy 100 Over Copper 50																																							
<p>Weight: 52.62 g</p>																																									

**Notice:** JYEBAO reserves the right to make modifications deemed appropriate.

AD-N6N8

N Reverse Polarity Plug TO N Jack 50Ω



Parts	Material	Plating (Micro-inch)
Contact Pin	Beryllium Copper	Gold 10 Over Nickel 50 Over Copper 50
Retainer Ring	Brass	Tin-Zinc-Copper-Alloy 100 Over Copper 50
Gasket	Silicone	
Contact Body	Brass	Tin-Zinc-Copper-Alloy 100 Over Copper 50
Insulator	Teflon	
Body	Brass	Tin-Zinc-Copper-Alloy 100 Over Copper 50
Coupling Nut	Brass	Tin-Zinc-Copper-Alloy 100 Over Copper 50

Weight:

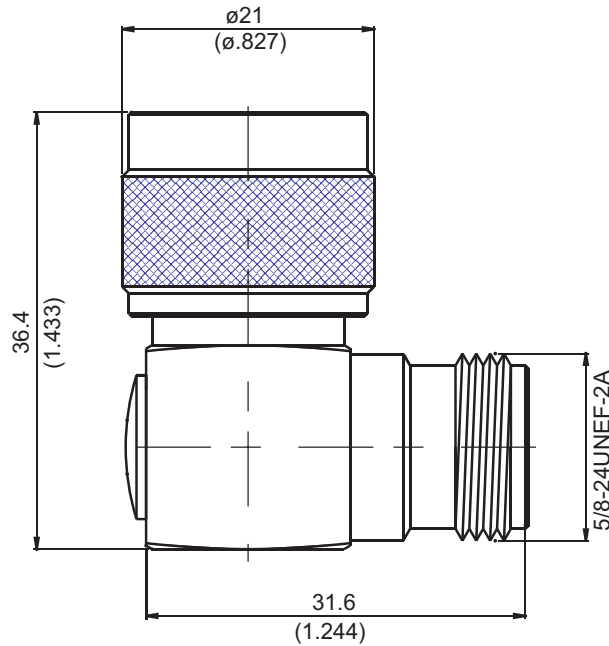
Notice: JYEBAO reserves the right to make modifications deemed appropriate.

AD-N3N8-75	N Plug To N Jack	75Ω																											
<table border="1" style="width: 100%; border-collapse: collapse; text-align: center;"> <thead> <tr> <th style="width: 25%;">Parts</th> <th style="width: 25%;">Material</th> <th style="width: 50%;">Plating (Micro-inch)</th> </tr> </thead> <tbody> <tr> <td>Contact Pin</td> <td>Brass</td> <td>Gold 10 Over Nickel 50 Over Copper 50</td> </tr> <tr> <td>Retainer Ring</td> <td>Brass</td> <td>Tin-Zinc-Copper-Alloy 100 Over Copper 50</td> </tr> <tr> <td>Gasket</td> <td>Silicone</td> <td></td> </tr> <tr> <td>Contact Body</td> <td>Brass</td> <td>Tin-Zinc-Copper-Alloy 100 Over Copper 50</td> </tr> <tr> <td>Contact Pin</td> <td>Beryllium Copper</td> <td>Gold 10 Over Nickel 50 Over Copper 50</td> </tr> <tr> <td>Insulator</td> <td>Teflon</td> <td></td> </tr> <tr> <td>Body</td> <td>Brass</td> <td>Tin-Zinc-Copper-Alloy 100 Over Copper 50</td> </tr> <tr> <td>Coupling Nut</td> <td>Brass</td> <td>Tin-Zinc-Copper-Alloy 100 Over Copper 50</td> </tr> </tbody> </table>			Parts	Material	Plating (Micro-inch)	Contact Pin	Brass	Gold 10 Over Nickel 50 Over Copper 50	Retainer Ring	Brass	Tin-Zinc-Copper-Alloy 100 Over Copper 50	Gasket	Silicone		Contact Body	Brass	Tin-Zinc-Copper-Alloy 100 Over Copper 50	Contact Pin	Beryllium Copper	Gold 10 Over Nickel 50 Over Copper 50	Insulator	Teflon		Body	Brass	Tin-Zinc-Copper-Alloy 100 Over Copper 50	Coupling Nut	Brass	Tin-Zinc-Copper-Alloy 100 Over Copper 50
Parts	Material	Plating (Micro-inch)																											
Contact Pin	Brass	Gold 10 Over Nickel 50 Over Copper 50																											
Retainer Ring	Brass	Tin-Zinc-Copper-Alloy 100 Over Copper 50																											
Gasket	Silicone																												
Contact Body	Brass	Tin-Zinc-Copper-Alloy 100 Over Copper 50																											
Contact Pin	Beryllium Copper	Gold 10 Over Nickel 50 Over Copper 50																											
Insulator	Teflon																												
Body	Brass	Tin-Zinc-Copper-Alloy 100 Over Copper 50																											
Coupling Nut	Brass	Tin-Zinc-Copper-Alloy 100 Over Copper 50																											
Weight:																													

**Notice:** JYEBAO reserves the right to make modifications deemed appropriate.

AL-N3N8

N Plug To N Jack Right Angle 50Ω



Typical VSWR

Part Number	1Ghz	2Ghz	3Ghz	4Ghz	5Ghz	6Ghz	7Ghz	8Ghz
AL-N3N8	1.08	1.11	1.13	1.14	1.15	1.16	1.17	1.18
	9Ghz	10Ghz	11Ghz	12Ghz	13Ghz	14Ghz	15Ghz	/
	1.19	1.2	1.21	1.21	1.22	1.25	1.27	/

Parts	Material	Plating (Micro-inch)
Nut	Brass	Tin-Zinc-Copper-Alloy 100 Over Copper 50
Contact Pin(Jack)	Phosphor Bronze	Gold 10 Over Nickel 50 Over Copper 50
Contact Pin(Plug)	Brass	Gold 10 over Nickel 50 Over Copper 50
Contact Body	Brass	Tin-Zinc-Copper-Alloy 100 Over Copper 50
Retainer Ring	Brass	Tin-Zinc-Copper-Alloy 100 Over Copper 50
Gasket	Silicon	
Insulator	Teflon	
Body	Brass	Tin-Zinc-Copper-Alloy 100 Over Copper 50
Coupling Nut	Brass	Tin-Zinc-Copper-Alloy 100 Over Copper 50

Weight: 77.72 g

Notice: JYEBAO reserves the right to make modifications deemed appropriate.