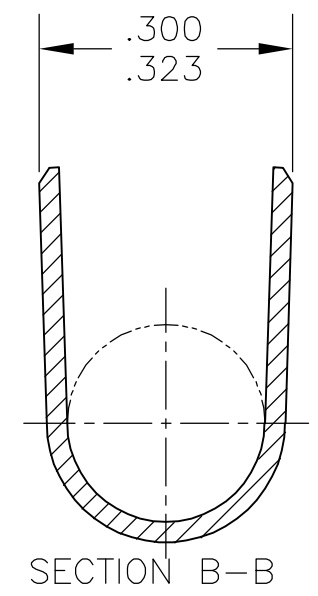
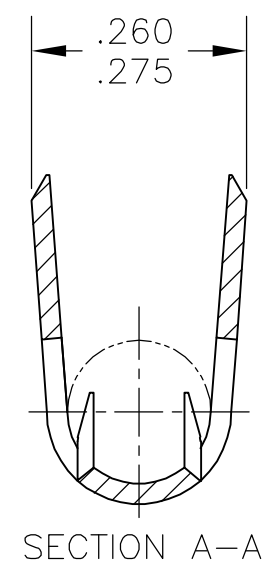
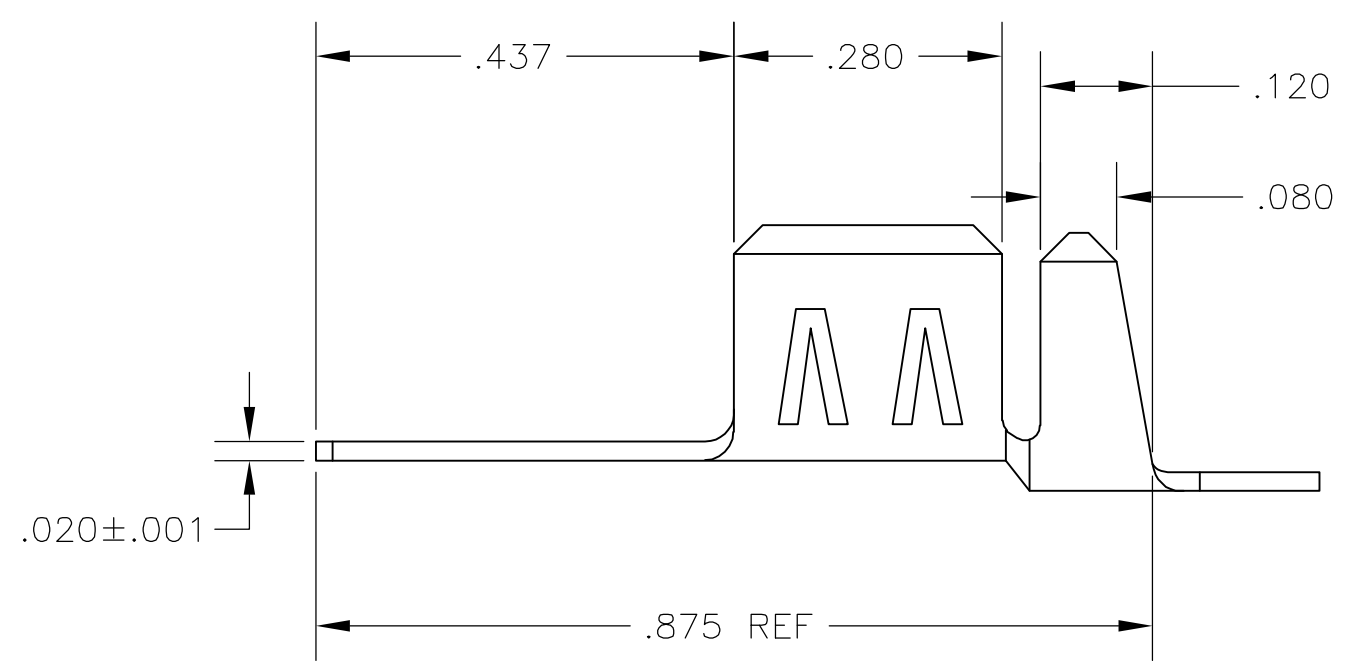
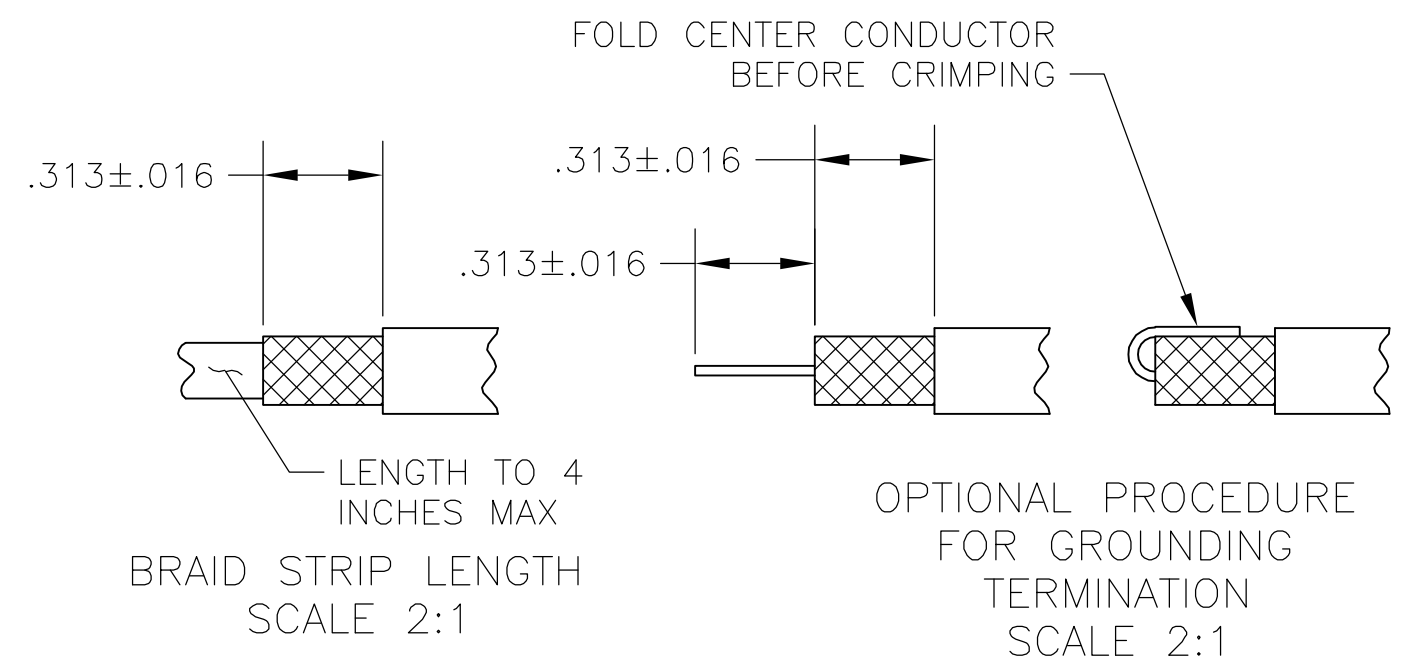
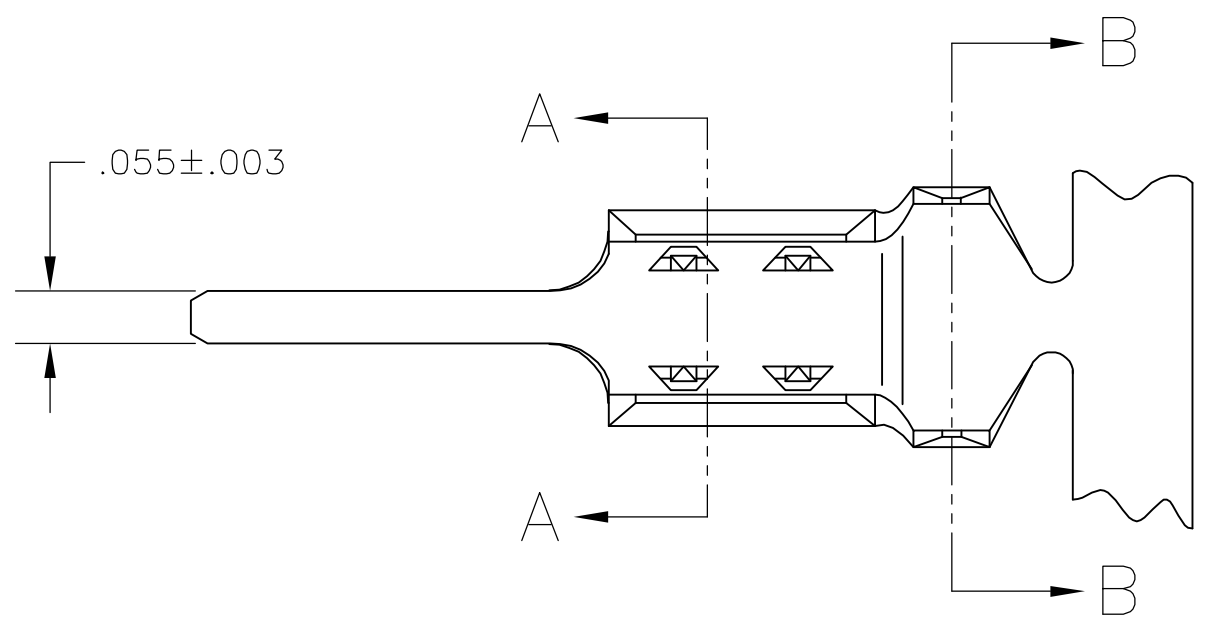


THIS DRAWING IS UNPUBLISHED. RELEASED FOR PUBLICATION
 © COPYRIGHT BY TYCO ELECTRONICS CORPORATION. ALL RIGHTS RESERVED.

LOC	DIST	REVISIONS					
AJ	16	P	LTR	DESCRIPTION	DATE	DWN	APVD
			D	REVISED PER ECO-05-008694	14NOV05	BM	JL



- FOR USE WITH RG 59/U AND RG 62/U COAXIAL CABLE.
 - FOR USE WITH .062 BOARD HOLE.
 - TO BE TERMINATED IN HAND TOOL 220190-1 WITH DIE SET 220195-1.
- 4 TIN-LEAD PLATE PER ASTM B-545
 - 5 TIN PLATE PER ASTM B-545

	5	9-226855-0
OBSOLETE	4	226855-1
	FINISH	PART NUMBER

THIS DRAWING IS A CONTROLLED DOCUMENT.		DWN J. HAVENER 21MAY2003	Tyco Electronics Corporation Harrisburg, PA 17105-3608	
DIMENSIONS: INCHES		CHK J. HAVENER 21MAY03		
TOLERANCES UNLESS OTHERWISE SPECIFIED:		APVD J. HAVENER 21MAY03	NAME COAXIAL PCB TERMINAL, PICK CRIMP TYPE BRAID-PIC	
0 PLC ± - 1 PLC ± - 2 PLC ± - 3 PLC ± .005 4 PLC ± - ANGLES ± -		PRODUCT SPEC 108-12037	RESTRICTED TO	
MATERIAL BRASS, ASTM B 36		APPLICATION SPEC 408-2833	SIZE A3	CAGE CODE 00779
FINISH		WEIGHT -	DRAWING NO C-226855	REV D
CUSTOMER DRAWING			SCALE 5:1	SHEET 1 of 1