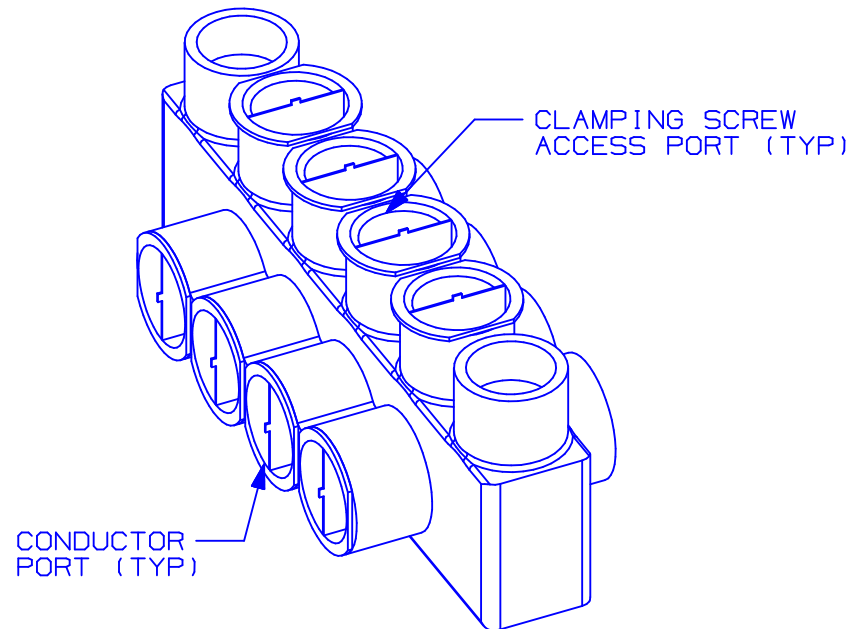
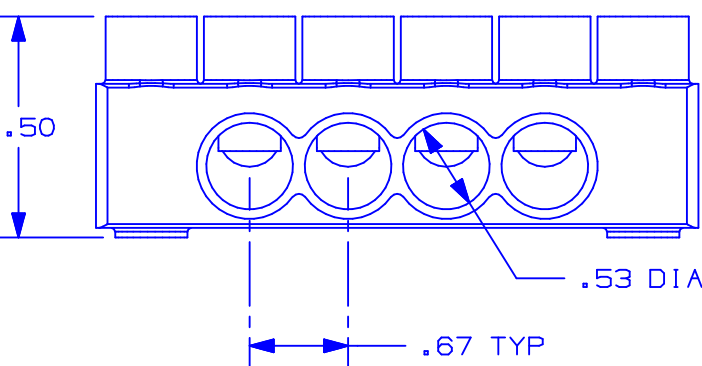
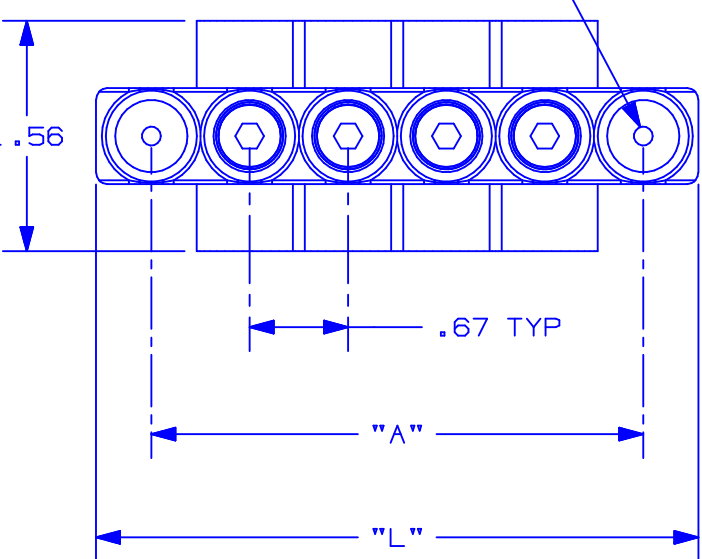
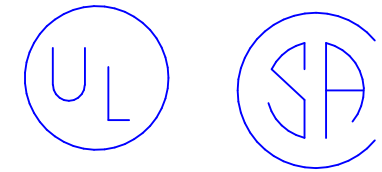


INSULATED MOUNTING HOLE  
(ACCOMODATES 1/4" HARDWARE)  
(2 PLCS)



- NOTES:
1. UL LISTED AND CSA CERTIFIED. DUAL RATED CU9AL FOR ALUMINUM OR COPPER CONDUCTORS. MEETS OR EXCEEDS ANSI C119.4
  2. WIRE RANGE: 2/0 - #14 AWG ONLY ONE CONDUCTOR PER PORT ALLOWED.
  3. STRIP LENGTH: .63 +.06/-0
  4. HEX KEY SIZE: 3/16", TIGHTENING TORQUE 120 IN-LB.
  5. VOLTAGE RATING: 600 V. MAX.
  6. TEMPERATURE RATING: 90° C.
  7. CONNECTOR BLOCK BODY IS MADE FROM ALUMINUM. CLAMPING SCREWS ARE TIN PLATED. PORTS IN CONNECTOR BLOCK ARE PREFILLED WITH AN OXIDE INHIBITING COMPOUND.
  8. INSULATION MATERIAL IS CLEAR PVC.
  9. CLAMPING SCREW ACCESS PORTS AND ALL CONDUCTOR ENTRY PORTS ARE PROVIDED WITH REMOVABLE PLASTIC CLOSURE PLUGS.
  10. ALL DIMENSIONS SHOWN ARE NOMINAL.
  11. PACKAGE QTY: -3 = 3 PCS  
-2 = 2 PCS  
-1 = 1 PCS

PART NUMBER	# CONDUCTOR PORTS	DIM "L"	DIM "A"
PCSBMT2/0-4-3	4	4.20	3.00
PCSBMT2/0-6-2	6	5.55	4.70
PCSBMT2/0-8-2	8	6.89	6.05
PCSBMT2/0-10-2	10	8.24	7.39
PCSBMT2/0-12-1	12	9.58	8.74



C41480\_00

00	2/05	JHNU		DRAWING RELEASED				
REV	DATE	BY	CHK	DESCRIPTION	ECN #	CUST	PM	

**PANDUIT** CORP. TINLEY PARK, ILLINOIS

MULTI-TAP INSULATED CONNECTORS  
WITH MOUNTING HOLES  
PCSBMT 2/0 DOUBLE SIDED SERIES

DRAWN BY: JHNU    CHK'D:    SCALE: N/A    DRAWING NO.: C41480