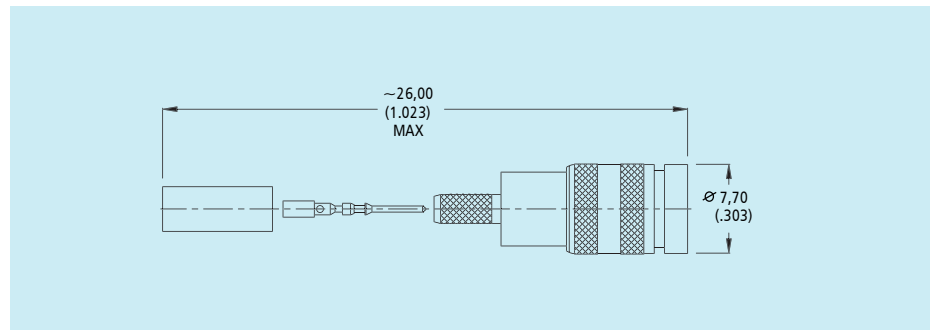


50 Ω Cable Plugs

Straight Crimp Plug
Push-Pull Coupling
(Packed in Trays of 25)

Part Number	Cable Numbers
D55-B24-3058GDA	RG58/U
D55-B24-3060GDA	RG316/U

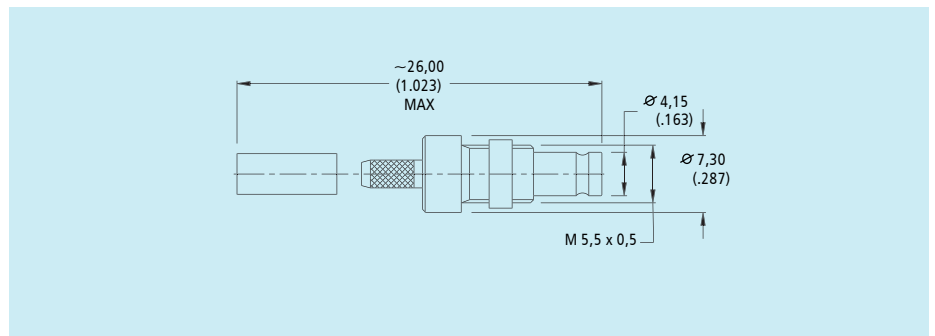


Assembly Instructions BBAI - 1289 - page 30

50 Ω Cable Jacks

Straight Crimp Bulkhead Jack
All Couplings
(Packed in Trays of 25)

Part Number	Cable Number
D51-B27-3058GEA	RG58/U
D51-B27-3060GEA	RG316/U



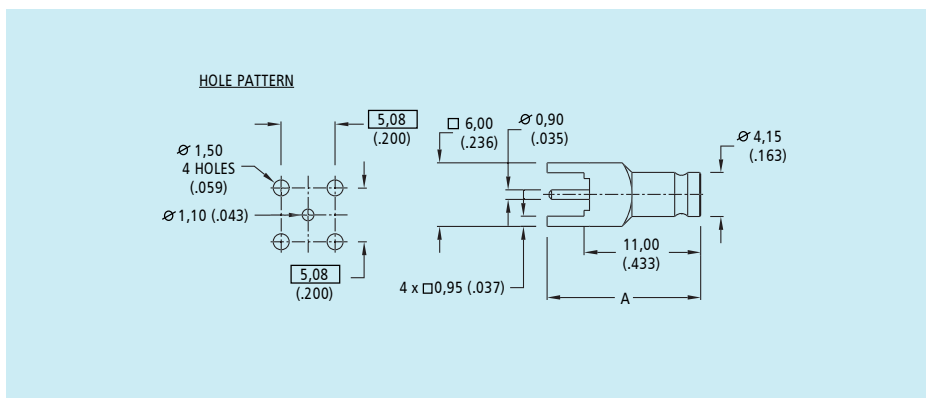
Mounting Hole Diameter 6,16 (.243) min - 6,33 (.249) max
Maximum Panel Thickness 1,50 (.059)

Assembly Instructions BBAI - 1281 - page 29

50 Ω Printed Circuit Board Jacks

Straight Jack 0,95 Square Legs
Push-Pull and Snap-On Couplings
(Packed in Trays of 100)

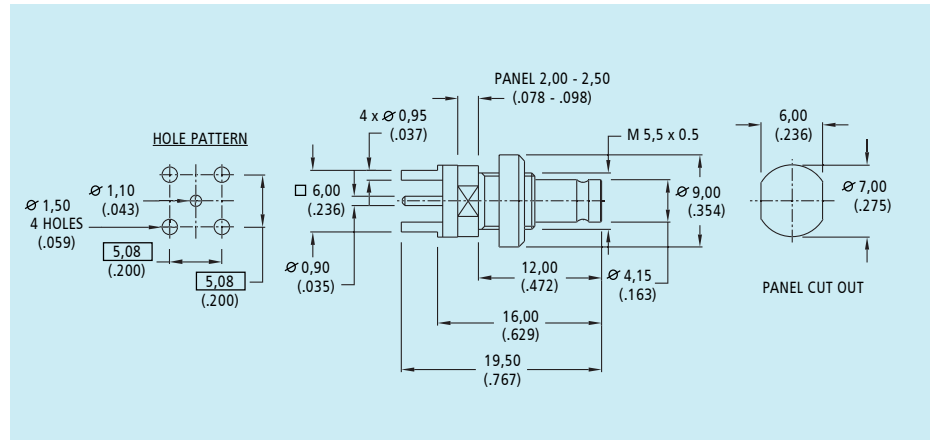
Part Number	Cable Number
D51-B51-9002GBA	14,5 (.570)
D51-B51-9003GBA	15,5 (.610)



50 Ω Printed Circuit Board Jacks

Straight Bulkhead Jack
 0,95 Square Legs - All Couplings
 (Packed in Trays of 100)

Part Number
D51-B51-9001GBA



Right Angle Jack 0,95 Square Legs
 All Couplings
 (Packed in Trays of 100)

Part Number
D51-B53-9004EAA

