

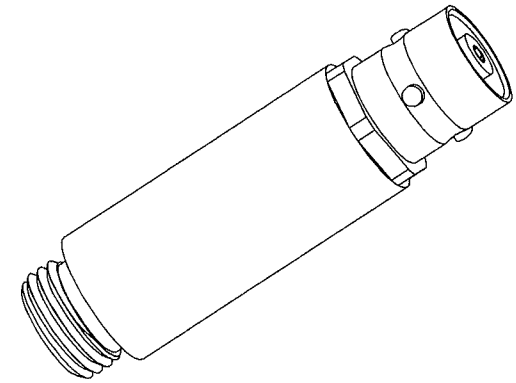
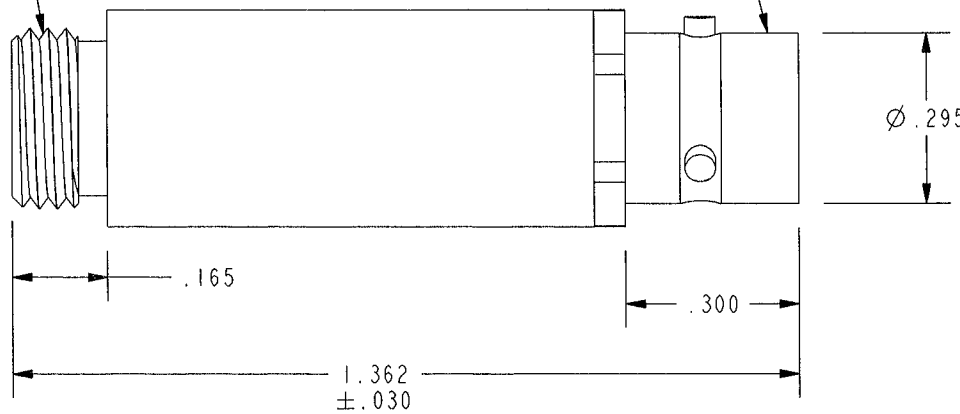
DATA CONTAINED IN THIS DOCUMENT IS PROPRIETARY TO TROMPETER ELECTRONICS INC. AND SHALL NOT BE DISCLOSED, COPIED OR USED FOR PROCUREMENT OR MANUFACTURE WITHOUT EXPRESS WRITTEN PERMISSION.

**REVISIONS**

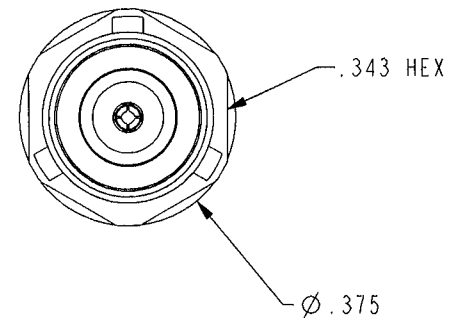
REV	DESCRIPTIONS	DATE	APPROVED
K	REVISED PER ECO 16515	1/30/08	AMM

.3125-32 UNEF-2A

TPS RECEPTACLE



SCALE 2/1



RED INDICATES ORIGINAL

2. 50 Ω THREADED PANEL MOUNT MINIATURE COAXIAL PATCH JACK WITH TPS JACK

1. TFS-1A (NICKEL)

NOTES: UNLESS OTHERWISE SPECIFIED.

INTERPRET DRAWING PER MIL-STD-100. DIMENSIONS ARE IN INCHES AND INCLUDE FINISH THICKNESS UNLESS OTHERWISE SPECIFIED.

TOL: UNLESS SPECIFIED.  
 .XX ± .02  
 .XXX ± .010  
 ANGLE ± 1°



DRN M JOHNSON	12-13-07	MATERIAL:	TITLE:
CHK JL	1-25-08	FINISH:	J8
QUALITY			
MANUF			
APPROVED AM	1/29/08		
PROJ FILE NO. 1-0116		DO NOT SCALE DWG	

SIZE A	CAGE CODE 14949	DRAWING NO. 1-0116	REV. K
SCALE 3/1	DATE 12-7-1966	SHEET 1C	