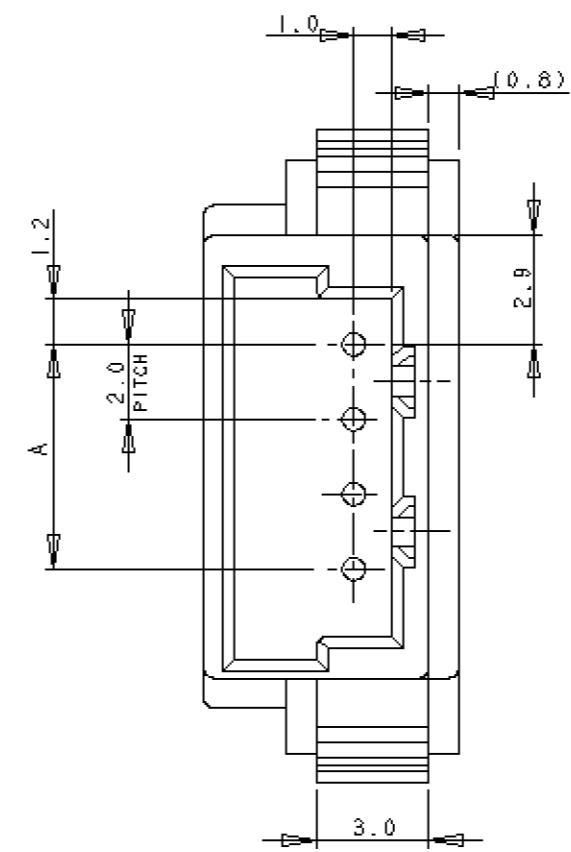
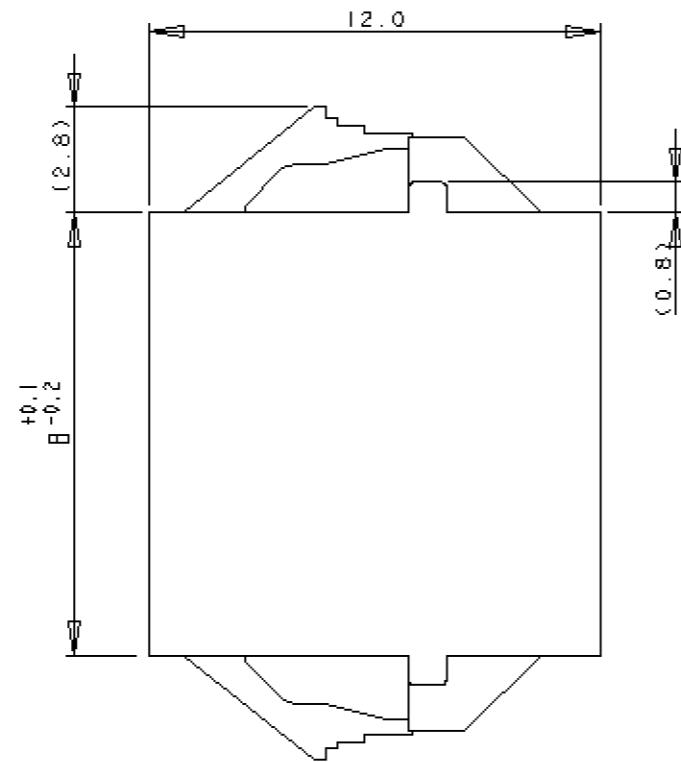
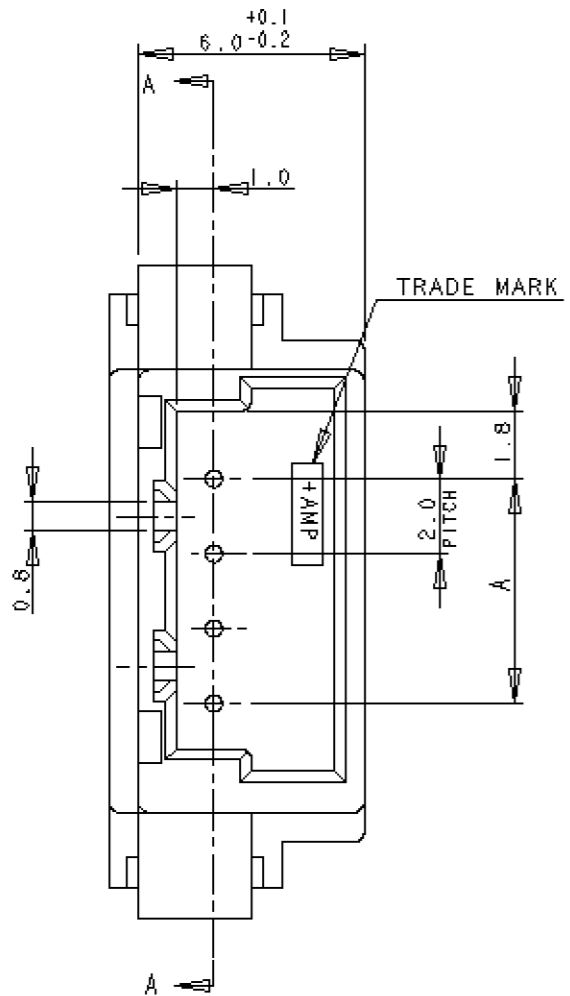
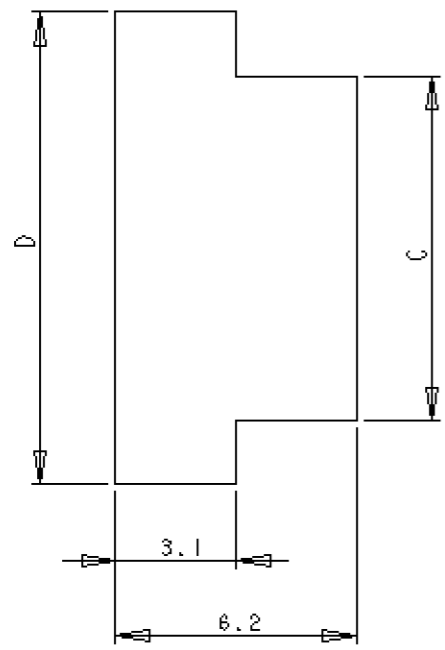
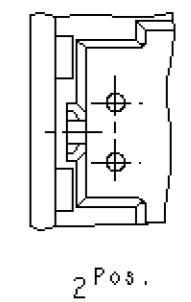
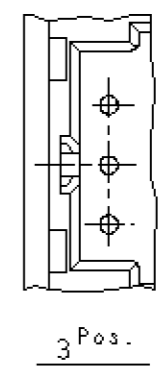


NUMBER C-175694  
METRIC  
3rd ANGLE PROJECTION

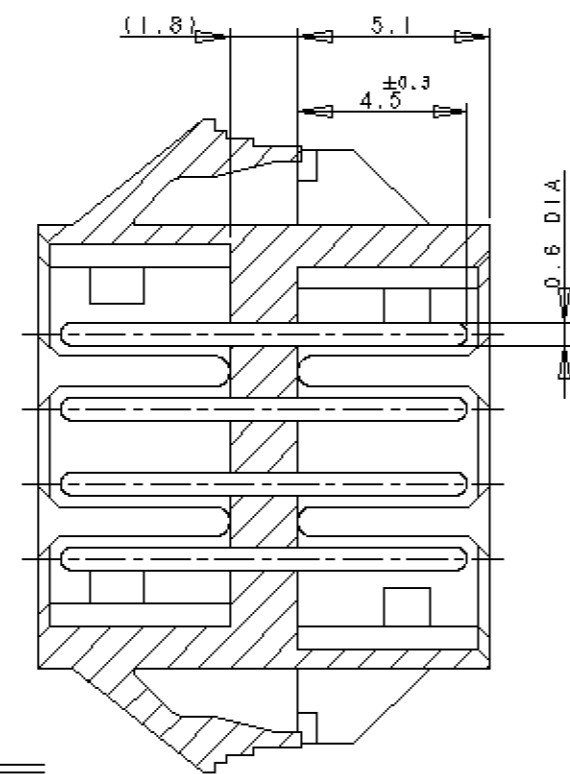


NOTES;

- MATERIAL: HOUSING - 66 NYLON (UL94V-0)  
POST - PRE TIN LEAD BRASS
- THE PANEL SHOULD BE PUNCHED SO THAT THE HOUSING ENTERS THE PANEL IN THE SAME DIRECTION AS PUNCH.



SECT. A-A



7-175694-5	5-175694-5	3-175694-5	1-175694-5	15	37.6	34.0	33.8	28.0
7- -4	5- -4	3- -4	1- -4	14	35.6	32.0	31.8	26.0
7- -3	5- -3	3- -3	1- -3	13	33.6	30.0	29.8	24.0
7- -2	5- -2	3- -2	1- -2	12	31.6	28.0	27.8	22.0
7- -1	5- -1	3- -1	1- -1	11	29.6	26.0	25.8	20.0
7- -0	5- -0	3- -0	1- -0	10	27.6	24.0	23.8	18.0
6- -9	4- -9	2- -9	-9	9	25.6	22.0	21.8	16.0
6- -8	4- -8	2- -8	-8	8	23.6	20.0	19.8	14.0
6- -7	4- -7	2- -7	-7	7	21.6	18.0	17.8	12.0
6- -6	4- -6	2- -6	-6	6	19.6	16.0	15.8	10.0
6- -5	4- -5	2- -5	-5	5	17.6	14.0	13.8	8.0
6- -4	4- -4	2- -4	-4	4	15.6	12.0	11.8	6.0
6- -3	4- -3	2- -3	-3	3	13.6	10.0	9.8	4.0
6-175694-2	4-175694-2	2-175694-2	175694-2	2	11.6	8.0	7.8	2.0
BLACK	YELLOW	BLUE	NATURAL	Pos.	D	C	B	A
PART NO.								

PANEL CUTOUT DIMENSION (TOLERANCE: ±0.1)  
(RECOMMENDED PANE THICKNESS: 0.8mm ~ 1.6mm)

J	REVISED	FP00-0252-01	LWY	NPH	04 JUL 2001
H	REVISED	FJ00-0207-97	T.F	J.T	37/14 '97
G	REVISED	FJ00-0344-93	T.F	S.K	7/5 '93
F	REVISED	J-0076	T.F	S.K	5/24 '91
E	REVISED	J-12631	T.F	S.K	8/9 '90
D	REDRAWN	J-12413	T.N	S.K	4/9 '89
LTR	REVISION RECORD		DR	CHK	DATE

Copyright ©19...  
AMP MANUFACTURING (SINGAPORE) PTE. LTD.  
ALL RIGHTS RESERVED.

WIRE RANGE: mm<sup>2</sup> (AWG) -

INSULATION DIA: mm

MATERIAL: SEE NOTE 1

FINISH: SEE NOTE 1

DR. T. NAKAMURA 4/6/'90

DE. T. NAKAMURA

CHK. S. KUBOUCHI

APP. WL CHOO

**AMP** AMP MANUFACTURING (SINGAPORE) PTE. LTD.

PANEL MOUNT TYPE RELAY POST HEADER ASS'Y  
(AMP CT CONNECTOR 2mm PITCH)

GENERAL TOLERANCE	SIZE	LOC	NUMBER
0 <= 10 : ±0.2 10 <= 30 : ±0.25 30 <= 100 : ±0.3 ANGLES : ±3°	A3	DY	C-175694
SCALE	REV.	J	SHEET
5 - 1			

PRINT DIST