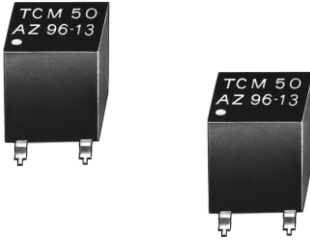
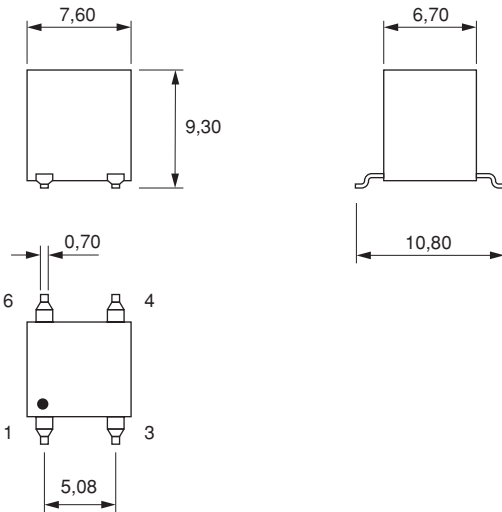


## Current Transformers



### DIMENSIONS in millimeters



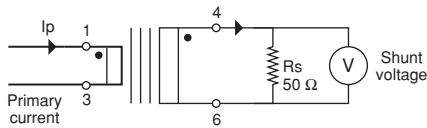
### MECHANICAL SPECIFICATIONS

Case	UL 94 V0
Max. Unit Weight	1g

### CLIMATIC SPECIFICATIONS

Temperature Range Shelf	- 55°C + 85°C
Working	- 30°C + 75°C

### MEASUREMENT CONDITIONS



### PACKAGING

Tape 24mm width, 16mm pitch.  
500 pieces/reel: external dia: 330mm  
height: 31mm

### MARKING

Print marked: series, model, manufacturer, manufacturing date (code), pin 1.

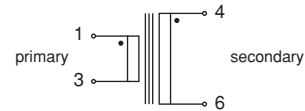
### ORDERING INFORMATION

TCM50  
SERIES AND MODEL

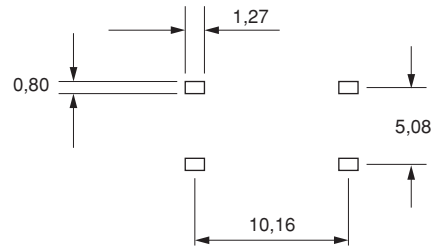
### FEATURES

- Current microtransformers are designed for AC measurement up to 100kHz
- Main application is current measurement or limitation for switching power supply or DC/DC converter
- Tape and reel packaging allows automatic pick and place

### ELECTRICAL DIAGRAM



### RECOMMENDED SOLDERING PAD



### ELECTRICAL SPECIFICATIONS

Maximum Frequency	100kHz
Insulation Voltage	500VRMS 1mn
Maximum Primary Current	On 50Ω Load to Add to the Circuit 2 A RMS
Secondary Resistance	1.1Ω ± 20%
Secondary Inductance	1.6μH ± 25%

### SHUNT VOLTAGE VERSUS FREQUENCY

