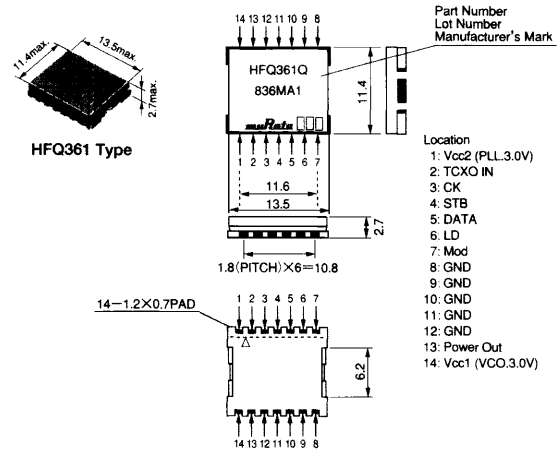
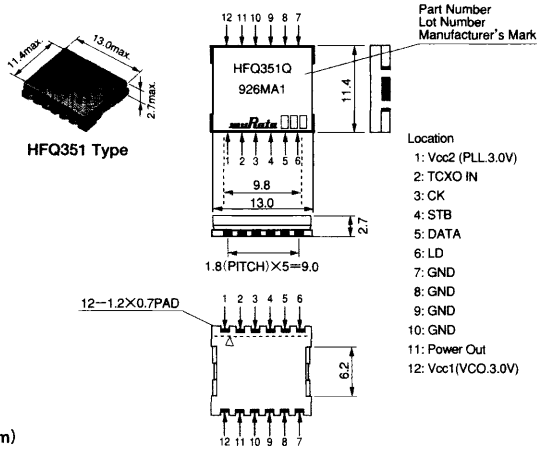


MICROWAVE PRODUCTS FOR COMMUNICATION EQUIPMENT

MICROWAVE COMPONENTS

MICROWAVE PLL MODULES

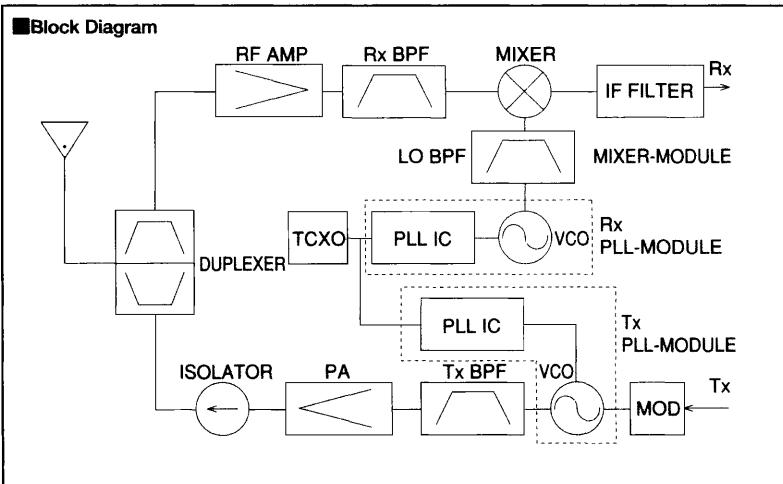
PLL Module for Analog Cellular Systems



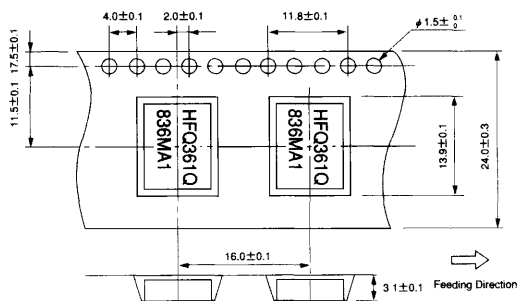
(in mm)

Application		Part Number	Operating Freq. Range (MHz)	Supply Voltage (V)	Output Level (dBm)	Power Consumption (mA max.)	Audio Modulation Sensitivity (1) (mVrms)	S/N (2) (dBc min.)	C/N (3) (dBc min.)	Lock up time (msec max.)
E-AMPS	Tx	HFQ361Q836MA1	836.5±12.5	3.0±0.15	≥ -4	18.0	113-169 (±8)	45 (±8)	112 (60)	40
	Rx	* HFQ351Q926MA1	926.5±12.5	3.0±0.30	≥ -4	18.0	-	45 (±3)	114 (60)	40
			HFQ351Q964MA1	964.5±12.5	3.0±0.15	≥ -4	18.0	-	45 (±8)	112 (60)
E-TACS	Tx	* HFQ361Q888MA1	888.5±16.5	3.0±0.30	≥ -4	18.0	113-169 (±8)	45 (±5.7)	114 (50)	40
	Rx	* HFQ351Q978MA1	978.5±16.5	3.0±0.30	≥ -4	18.0	-	45 (±5.7)	114 (50)	40
			* HFQ351Q1025MA1	1025.5±16.5	3.0±0.30	≥ -4	18.0	-	45 (±5.7)	114 (50)
N-TACS	Rx	HFQ351Q766MA1	766.5±13.5	3.0±0.30	≥ -4	18.0	-	43 (±3)	103 (12.5)	50
		HFQ351Q801MA1	801.5±13.5	3.0±0.30	≥ -4	18.0	-	43 (±3)	103 (12.5)	50

(1) () = Deviation (kHz) (2) () = Sound level (kHz) (3) () = Separation (kHz)
* under development



Taping Specifications



(in mm)

Minimum Quantity (order in sets only) : 1,000 pcs./reel (φ 330mm)

EMI SUPPRESSION FILTERS (EMIFL®)

MICROWAVE COMPONENTS

FILTERS

VIDEO EQUIPMENT

FUNCTIONAL MODULES HYBRID ICs

POWER SUPPLIES

SENSORS

CAPACITORS

THERMISTORS /RESISTORS

COILS/DELAY LINES /FERRITE CORES

RESONATORS

PIEZO PRODUCTS