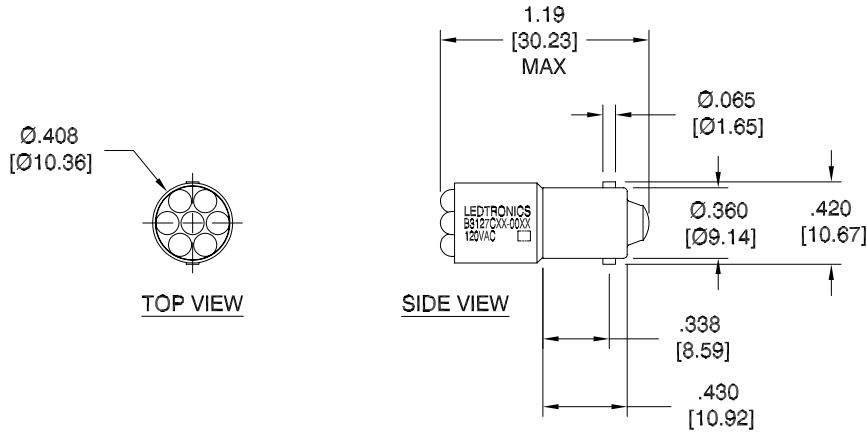


LTR	REVISION	DATE	APPD
B	093015-MM01: ADDED MISSING DATA	09-30-15	MM



NOTES:

1. ALL DIMENSIONS ARE IN INCHES (MILLIMETERS).
2. SLEEVE MATERIAL: RYNITE FR530 (UL94V-1 MINIMUM, UL94V-0 PREFERRED)
3. BASE MATERIAL: SHELL (BODY) IS MADE FROM BRASS WITH NICKEL-PLATED (BARREL)
4. OPERATING TEMPERATURE: ~-30°C to ~+50°C



ELECTRICAL - OPTICAL CHARACTERISTICS (Ta = 25°C)

REVISION NOTIFICATION	
<input type="checkbox"/>	DLC
<input type="checkbox"/>	UL/ETL
<input type="checkbox"/>	MADE IN USA
<input type="checkbox"/>	CUSTOMER _____
<input type="checkbox"/>	OTHER

B3127CG5-0004	B3127CG5-120VAC/10	HI-EFF GREEN	120Vac	0.007 A	0.90W	0.030cd	565	60°
B3127CG6-0005	B3127CG6-120VAC/10	HI-EFF GREEN	120Vac	0.009 A	0.90W	0.030cd	565	60°
B3127CR5-0003	B3127CR5-120VAC/10	HI-EFF RED	120Vac	0.007 A	0.80W	0.004cd	642	40°
B3127CR6-0001	B3127CR6-120VAC/10	ULTRA RED	120Vac	0.009 A	0.90W	0.420cd	654	60°
B3127CW5-0003	B3127CW5-120VAC/10	PALE WHITE (Rd-Gn)	120Vac	0.007 A	0.90W	0.008cd	642/565	50°
B3127CY5-0011	B3127CY5-120VAC/10	YELLOW	120Vac	0.009 A	0.90W	0.168cd	585	45°
B3127CY6-0001	B3127CY6-120VAC	SUPER YELLOW/YELLOW	120Vac	0.009 A	0.90W	1.200cd	595	45°
LEDTRONICS PART NO.	DESCRIPTION PART NO.	COLOR EMITTED	INPUT VOLTAGE, V	CURRENT (A)	POWER (W)	MAXIMUM CANDELA	λ P nm	VIEWING ANGLE (FULL BEAM WIDTH @ 50% INTENSITY)

LED[®]
LEDTRONICS, INC.[™]
 23105 KASHIWA COURT
 TORRANCE, CA 90505

-PROPRIETARY-
 This document contains Proprietary information of LEDTRONICS, INC. It may not be copied, used or disclosed for any purpose without the prior express written consent of LEDTRONICS, INC.

.XXX ± .010 TOLERANCE PER ANSI-Y14.5
 .XX ± .025 (UNLESS OTHERWISE STATED)
 ANGLES ± 0°,30'
 FRACT. ± 1/32

TITLE					
B3127CXX-00XX (B3127CXX-120VAC/10)					
DWG NO	SCALE	SHEET	DATE		
B3127-120VAC	1:1	1 OF 1	11-08-11		
CODE IDENT NO.	DWG BY	CHK BY	QA	MFG	R&D
8Z410	MM 11-08-11	PL 10-07-15	JH 10-07-15	LD 10-07-15	LUV 10-07-15