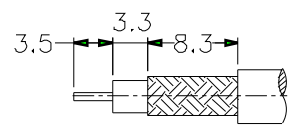
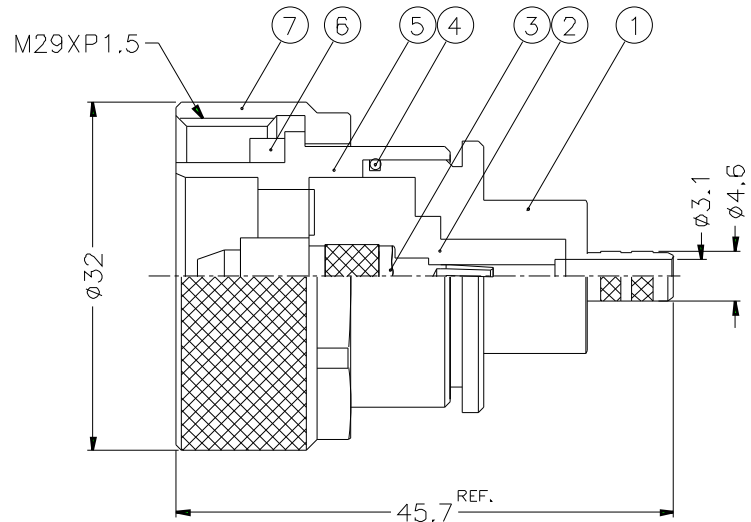
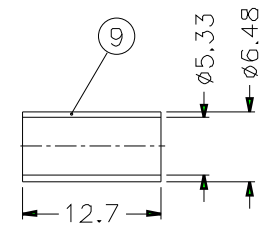
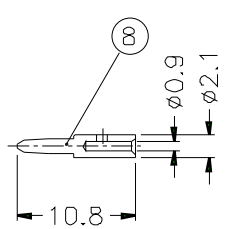


1		2		3		4		5		6		7		8	
REVISIONS															
ISS	ZONE	DESCRIPTION\PER REQUEST\DATE													



RECOMMENDED
CABLE STRIPPING DIM'S



- NOTES: FINISH (PLATING THICKNESS IN MICRO-INCHES)
1. BRASS PER QQ-B-626
 2. SILVER PL. 120 MIN. THICK OVER COPPER STRIKE
 3. BERYLLIUM COPPER PER QQ-C-530
 4. SILVER PL. 200 MIN. THICK OVER COPPER STRIKE
 5. TEFLON MIL-P-19468

1. CRIMPED FERRULE
HEX CRIMP SIZE .213"
2. CRIMPED CONTACT PIN
HEX CRIMP SIZE .068"

9	FERRULE	COPPER	NOTE 2	1	FR-648/533X127C
8	CONTACT PIN	NOTE 1	NOTE 4	1	7166511A1-6-21/09
7	SHELL	NOTE 1	NOTE 2	1	7161141A1-7
6	GASKET	SILICONE	RED	1	GS-25/205X35
5	CONTACT BODY	NOTE 1	NOTE 2	1	7161111A1-5
4	GASKET	SILICONE	RED	1	GS-215/183XD16
3	CONTACT PIN	NOTE 3	NOTE 4	1	7161111A1-3
2	INSULATOR	NOTE 5	NATURAL	1	7166511A1-2T-50
1	BARREL	NOTE 1	NOTE 2	1	7166511A1-1-46/31
NO.	DESCRIPTION	MATERIAL	FINISH	Q'TY	DRAWING NO.

DIMENSIONS ARE IN MILLIMETERS			PART NO. 7161111A1-120STS-1-50	
UNLESS OTHERWISE SPECIFIED TOLERANCES			APPROVED	DATE
0.5-6	= ±0.2			10-11-01'
6-30	= ±0.4		CHECKED	DATE
30-120	= ±0.6			10-11-01'
120-315	= ±1		DRAWN	DATE
315-1000	= ±1.6			10-11-01'
1000-2000	= ±2.4			
SCALE 1.5/1	ISSUE	A	FILE NO.	

Amphenol	
TITLE 7/16 CRIMP PLUG	
DRAWING NO. KJ-7161111A1-120STS-58U-50	
ITEM NO.	

1	2	3	4	5	6	7	8
---	---	---	---	---	---	---	---