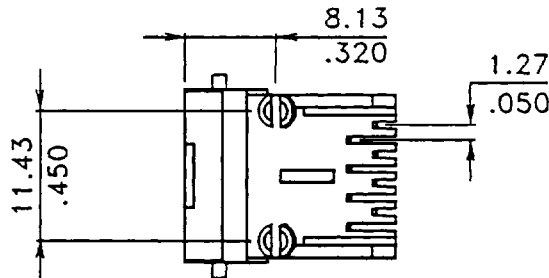
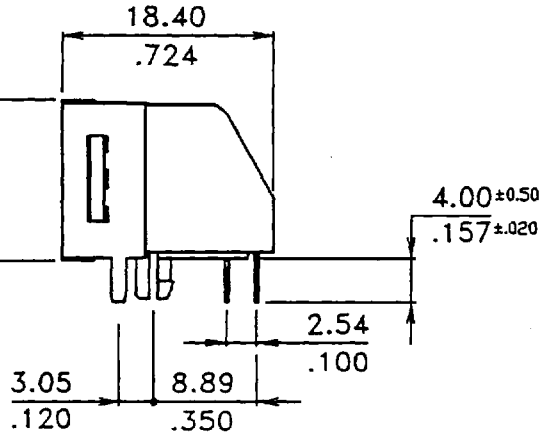
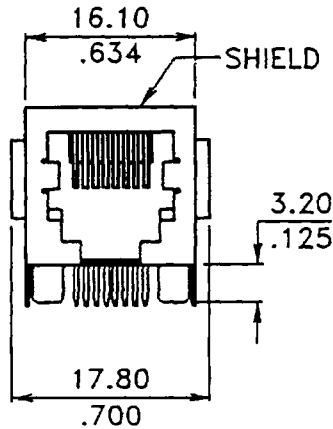


# SHIELDED, 8 POSITION LOW PROFILE, SIDE ENTRY PCB JACK



**ORDERING INFORMATION**

9606	-	6	4	0	1
SERIES INDICATOR		HOUSING PLUG SIZE 4, 6, 8 or 10		NO. OF CONTACT POSITIONS FILLED 2, 4, 6, 8 or 10	PLATING 1=15 uin gold 2=30 uin gold 3=50 uin gold 4=6 uin gold
					BODY COLOR 0=GRAY 1=BLACK X=OTHERS

**PART NO. 9659-880X  
10100X**

**MATERIAL: HOUSING-PBT POLYESTER UL94V-0  
STANDRED COLOR-BLACK  
TERMINAL-.0138(0.35MM) THICK  
PHOS-BRONZE PLATED WITH  
HARD GOLD AND TIN LEAD  
IN SOLDER AREA.  
SHIELD-.010(.25MM)THICK COPPER  
ALLOY,TIN-LEAD PLATED.**

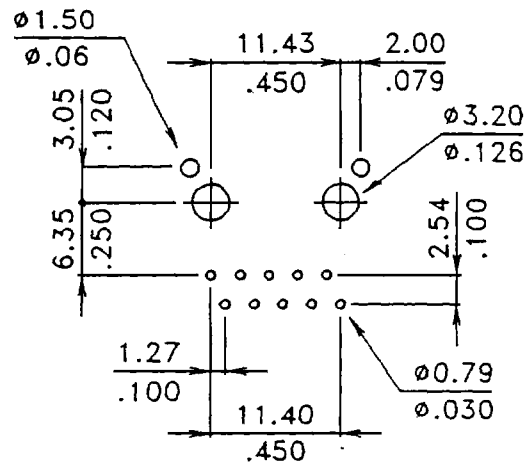
CAVITY CONFIRMS TO FCC RULES AND REGULATIONS  
PART 68,SUBPART F.

.10P10C also available.

.SMT type be optional

UL FILE NO. E135545

FCC FILE NO. E157380



**PC Board Layout  
(FOR 10P10C)**

**SHOGYO INTERNATIONAL CORP.**

45 EXECUTIVE DRIVE  
PLAINVIEW, N.Y. 11803  
TEL # 516-349-5200  
FAX # 516-349-7744