

Radial Type TACT Switch(TM) > SKPD Series > SKPDAFD010

Series Common Info

7.8mm Square Type (Radial) SKPD Series

| Dimensions | Mounting Hole Dimensions | Circuit Diagram | Packing Specifications |
 | Soldering Conditions |

PRINT

Part number **SKPDAFD010**

Type Radial

Operating force 2.94N

Operating direction Top push

Travel 1.75mm

Operating life (5mA 5V DC) 100,000 cycles

Initial contact resistance 1kΩ max.

Rubber color Gray

Height h=6.1mm

Series type Soft feeling type

Operating temperature range -40°C to +90°C

Rating (max.) 5mA 12V DC

Rating (min.) 10μA 1V DC

Electrical performance Insulation resistance 100MΩ min. 100V DC for 1min.

Voltage proof 250V AC for 1 min.

Durability Vibration 10 to 55 to 10Hz/min., the amplitude is 1.5mm for all the frequencies, in the 3 direction of X, Y and Z for 2 hours respectively

Environmental performance Cold -40±2°C for 96h

Dry heat 90±2°C for 96h

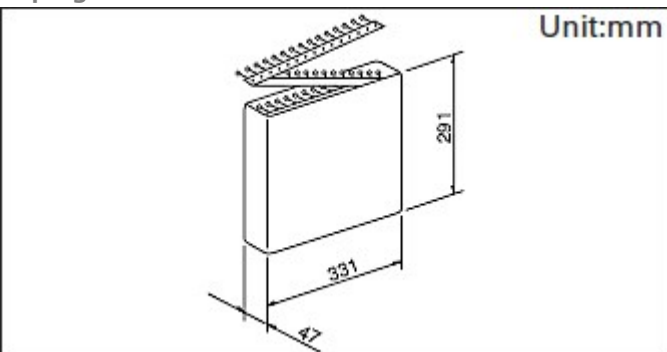
Damp heat 60±2°C, 90 to 95%RH for 96h

Minimum order unit Japan 800

(pcs.) Export 800

Packing Specifications

Taping



Number of packages (pcs.)	1 box	800
	1 case / Japan	8,000
	1 case / export packing	8,000
Export package measurements (mm)	354×606×272	

Soldering Conditions

Conditions for Auto-dip

Items	Condition
Flux built-up	Mounting surface should not be exposed to flux
Preheating temperature	Ambient temperature of the soldered surface of PC board. 110°C max.
Preheating time	60s max.
Soldering temperature	260°C max.
Duration of immersion	5s max.
Number of soldering	2 times max.

Manual Soldering

Items	Condition
Soldering temperature	360°C max.
Duration of soldering	3s max.

-
1. Consult with us for availability of TACT switch™ washing.
 2. Prevent flux penetration from the top side of the TACT switch™.
 3. Switch terminals and a PC board should not be coated with flux prior to soldering.
 4. The second soldering should be done after the switch returns to normal temperature.
 5. Use the flux with a specific gravity of at least 0.81.
(EC-19s-8 by TAMURA Corporation, or their equivalents.)
-

Notes are common to this series/models.

1. This site catalog shows only outline specifications. When using the products, please obtain formal specifications for supply.
2. Please use 1.6mm thick PC boards.
3. Please place purchase orders for taping products per minimum order unit (1 box or a case).
4. This products can be used in vehicles.
Although these products are designed to perform over a wide operating temperature range, please ensure that you receive and read the formal delivery specifications before use.

Inquiries about Products

 [Inquiry](#)