

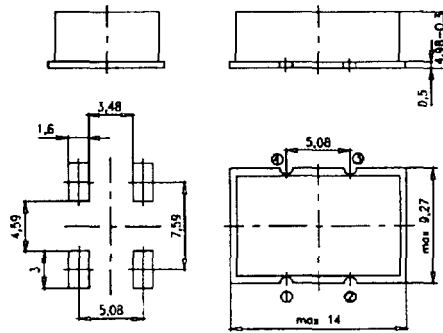
Packaged Crystal VCXOs

VCXO-SM100



Features

- Small SMD standard-VCXO
- 2.0 to 35 MHz
- -20 to +70°C
- HCMOS-output



Pin configuration

1. Control voltage
2. Ground, case
3. RF-output
4. Supply voltage U_B

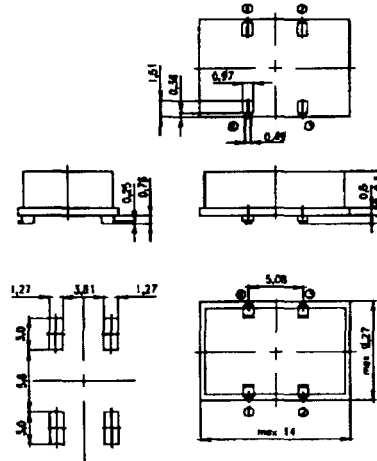
Note: dimensions in mm

VCXO-SM100A



Features

- Small SMD standard-VCXO
- 2.0 to 35 MHz
- -20 to +70°C
- SG615 compatible



Pin configuration

1. Control voltage
2. Ground, case
3. RF-output
4. Supply voltage U_B

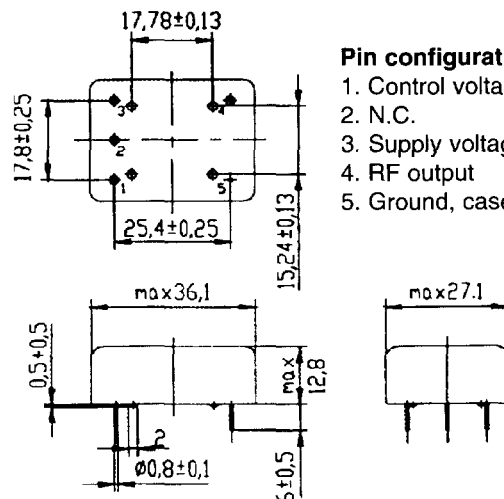
Note: dimensions in mm

VCXO-S122



Features

- 622.02 MHz-VCXO for SDH
- ECL-output 36 x 27 x 12.8mm
- 0 to +70°C



Pin configuration

1. Control voltage U_C
2. N.C.
3. Supply voltage U_B
4. RF output
5. Ground, case

Note: dimensions in mm

Packaged Crystal VCXOs

SPECIFICATIONS

	VCXO-SM100 / SM100A	VCXO-S122
Nominal frequency:	2 to 35 MHz	622.08 MHz
Nominal frequency tolerance, T=25±3°C and U _c = 2.5V:	<±10 ppm	<±15 ppm
Frequency stability in the temperature range -20°C to +70°C in the temperature range -40°C to +85°C vs. supply voltage changes U _B ±5%: vs. load changes:	<±20 ppm <±10 ppm <±5 ppm (20% load change)	<±12 ppm <±20 ppm <±2 ppm <±2 ppm (5% load change) (1 to 10 HCMOS)
Aging:	±5 ppm/first year ±2 ppm following years	±2 ppm/first year ±10 ppm in 10 years
Frequency control range:	≥±100 ppm	≥±80 ppm; ≤±120 ppm
Control voltage U _c :	0.5V to 4.5 V	0.5V to 4.5 V
Control input impedance:		> 50 kOhm
Transfer function/Linearity:	positive / 15%	positive / ±40 to 60ppm/V
Supply voltage U _B :	5 V ±5%	5 V ±5%
Current consumption with load 1 kOhm // 15pF:	≤ 20 mA	≤ 120 mA
Output voltage: load: duty cycle: rise time, fall time:	HCMOS Low <0.4 V; High > 4.0V 1 kOhm // 15pF 40/60% <5 ns	ECLinPS 100k 50 Ohm 45/55% ≤ 1 ns
Frequency modulation:		0 Hz to 10 kHz; 3 dB cut-off frequency
Temperature ranges Operating: Operable: Storage:	-20°C to +70°C -25°C to +75°C -40°C to +85°C	0°C to +70°C -20°C to +80°C -55°C to +105°C