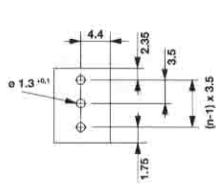
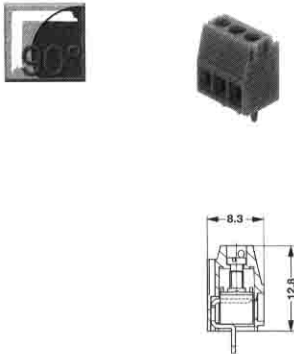


LM 3.5/90



Technical data	VDE	UL	CSA
Rated voltage (V)	125*	300	300
Rated current (A)	12	10	12
Wire size (mm ² /AWG)	1.5	22...14	28...14

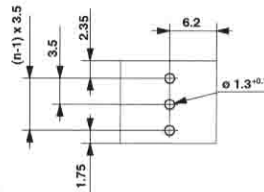
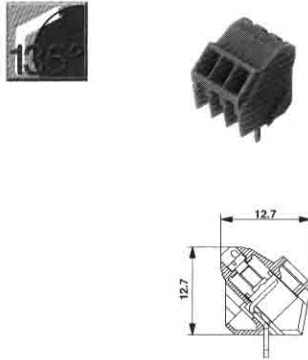
*Pollution severity 3 / Overvoltage category III
Additional technical data see page 52

Solder pin length 3.2 mm 4.5 mm

Color		● ●		
Poles	Type	Part No.	Part No.	Qty.
2	LM 3.5/2/90	1667750000	1699670000	100
3	LM 3.5/3/90	1667770000	1699680000	100
4	LM 3.5/4/90	-	996770	
5	LM 3.5/5/90	-	996771	
6	LM 3.5/6/90	-	996772	
7	LM 3.5/7/90	-	996773	
8	LM 3.5/8/90	-	996774	
9	LM 3.5/9/90	-	996775	
10	LM 3.5/10/90	-	996776	
11	LM 3.5/11/90	-	996777	
12	LM 3.5/12/90	-	996778	
13	LM 3.5/13/90	-	996779	
14	LM 3.5/14/90	-	996780	
15	LM 3.5/15/90	-	996781	
16	LM 3.5/16/90	-	996782	
17	LM 3.5/17/90	-	996783	
18	LM 3.5/18/90	-	996784	
19	LM 3.5/19/90	-	996785	
20	LM 3.5/20/90	-	996786	
21	LM 3.5/21/90	-	996787	
22	LM 3.5/22/90	-	996788	
23	LM 3.5/23/90	-	996789	
24	LM 3.5/24/90	-	996790	

Accessories	Page
Marking	42
Mounting	-
Screwdriver	45

LM 3.5/135



Technical data	VDE	UL	CSA
Rated voltage (V)	125*	300	300
Rated current (A)	12	10	12
Wire size (mm ² /AWG)	1.5	22...14	28...14

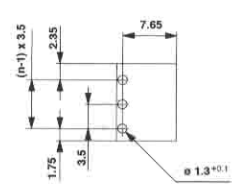
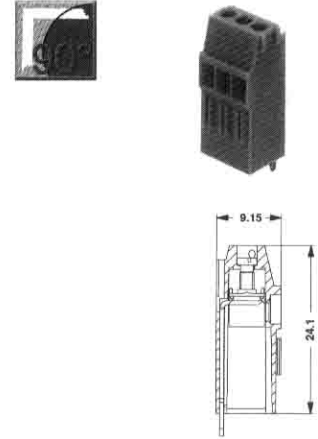
*Pollution severity 3 / Overvoltage category III
Additional technical data see page 52

Solder pin length 3.2 mm 4.5 mm

Color		● ●		
Poles	Type	Part No.	Part No.	Qty.
2	LM 3.5/2/135	1714980000	1715010000	100
3	LM 3.5/3/135	1715020000	1715050000	100
4	LM 3.5/4/135	-	999568	
5	LM 3.5/5/135	-	999569	
6	LM 3.5/6/135	-	999570	
7	LM 3.5/7/135	-	999571	
8	LM 3.5/8/135	-	999572	
9	LM 3.5/9/135	-	999573	
10	LM 3.5/10/135	-	999574	
11	LM 3.5/11/135	-	999575	
12	LM 3.5/12/135	-	999576	
13	LM 3.5/13/135	-	999577	
14	LM 3.5/14/135	-	999578	
15	LM 3.5/15/135	-	999579	
16	LM 3.5/16/135	-	999580	
17	LM 3.5/17/135	-	999581	
18	LM 3.5/18/135	-	999582	
19	LM 3.5/19/135	-	999583	
20	LM 3.5/20/135	-	999584	
21	LM 3.5/21/135	-	999585	
22	LM 3.5/22/135	-	999586	
23	LM 3.5/23/135	-	999587	
24	LM 3.5/24/135	-	999588	

Accessories	Page
Marking	-
Mounting	-
Screwdriver	-

LM1N 3.5/90



Technical data	VDE	UL	CSA
Rated voltage (V)	125*	300	300
Rated current (A)	10	10	12
Wire size (mm ² /AWG)	1.5	22...14	28...14

*Pollution severity 3 / Overvoltage category III
Additional technical data see page 52

Solder pin length 3.2 mm 4.5 mm

Color		● ●		
Poles	Type	Part No.	Part No.	Qty.
2	LM1N 3.5/2/90	1716710000	1747380000	100
3	LM1N 3.5/3/90	1716720000	1747390000	100
4	LM1N 3.5/4/90	-	999690	
5	LM1N 3.5/5/90	-	999691	
6	LM1N 3.5/6/90	-	999692	
7	LM1N 3.5/7/90	-	999693	
8	LM1N 3.5/8/90	-	999694	
9	LM1N 3.5/9/90	-	999695	
10	LM1N 3.5/10/90	-	999696	
11	LM1N 3.5/11/90	-	999697	
12	LM1N 3.5/12/90	-	999698	
13	LM1N 3.5/13/90	-	999699	
14	LM1N 3.5/14/90	-	999700	
15	LM1N 3.5/15/90	-	999701	
16	LM1N 3.5/16/90	-	999702	
17	LM1N 3.5/17/90	-	999703	
18	LM1N 3.5/18/90	-	999704	
19	LM1N 3.5/19/90	-	999705	
20	LM1N 3.5/20/90	-	999706	
21	LM1N 3.5/21/90	-	999707	
22	LM1N 3.5/22/90	-	999708	
23	LM1N 3.5/23/90	-	999709	
24	LM1N 3.5/24/90	-	999710	

Attention: Customers are advised to ensure support for LM1N on the pcb.

Accessories	Page
Marking	42
Mounting	-
Screwdriver	45