



FCIconnect.com

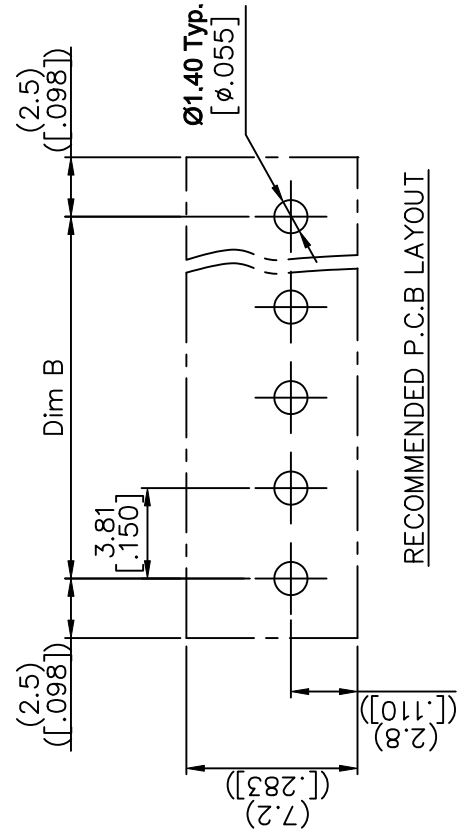
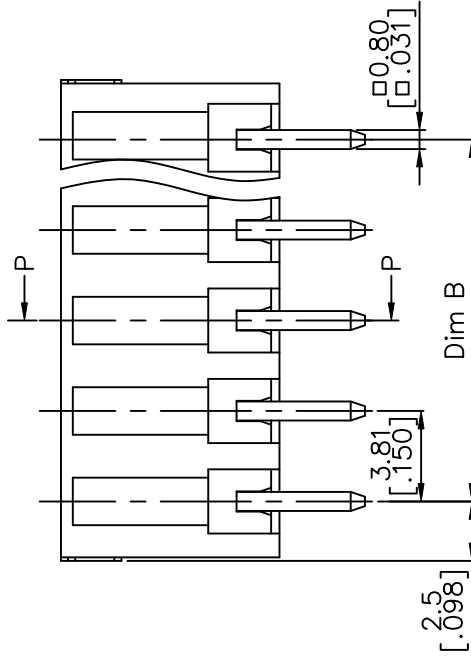
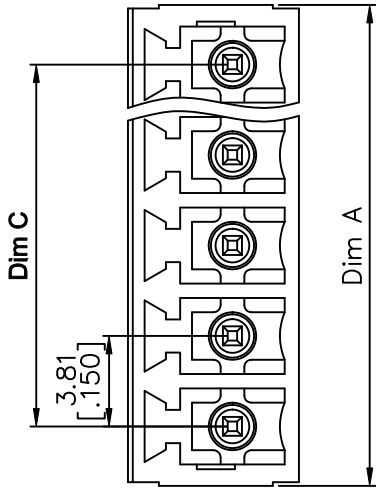
Copyright FCI.

1 | 2

3 |

4

PRODUCT NUMBER	SERIES NAME	PITCH
20020107-DXXXXXLF	06-381	3.81 mm



RECOMMENDED P.C.B LAYOUT

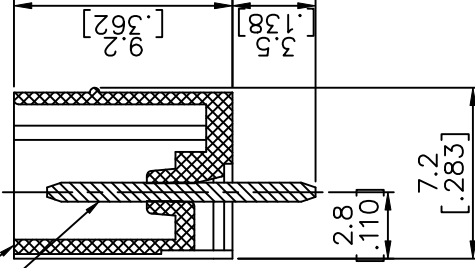
HOUSING

TERMINAL

N= NUMBER OF POLES
DIMENSION

Dim A	$(N-1) \times 3.81 [0.150] + 5.0 [0.197]$
Dim B	$(N-1) \times 3.81 [0.150]$
Dim C	$(N-1) \times 3.81 [0.150]$

Poles	Tolerance
2p-6p	$\pm 0.15 [0.006]$
7p-12p	$\pm 0.20 [0.008]$
13p-16p	$\pm 0.25 [0.010]$
17p-24p	$\pm 0.30 [0.012]$



SECTION P-P

mat'l. code		surface	tolerance	projection	product family	TERMINAL BLOCK
ltr	ecn no	dr	date	ASME Y14.5	tolerances unless otherwise specified	title
K				X. ±0.5 [0.020]	MM	TERMINAL BLOCK
				X.X ±0.3 [0.012]	[INCH]	PLUGABLE, SOCKET, SIGNAL, VERTICAL
				X.XX ±0.1 [0.004]	scale	dwg no
				dr BEER FU	062509	sheet 3 of 5size
				enr BEER FU	062509	20020107
				chr GARY HSIEH	062509	A4
				appd JOSEPH HSIA	062509	CUSTOMER Drawing
sheet	revision					
index	sheet					



B

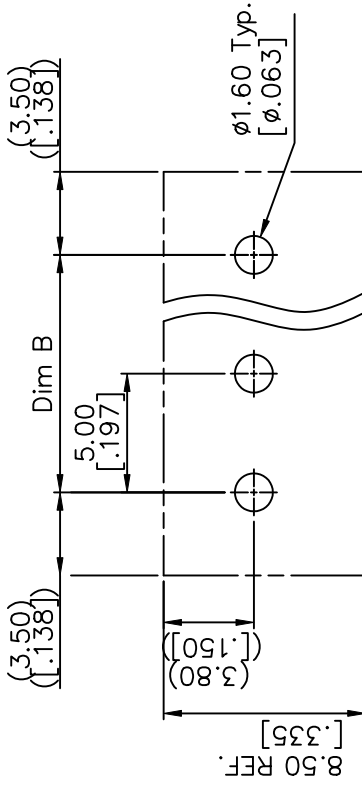
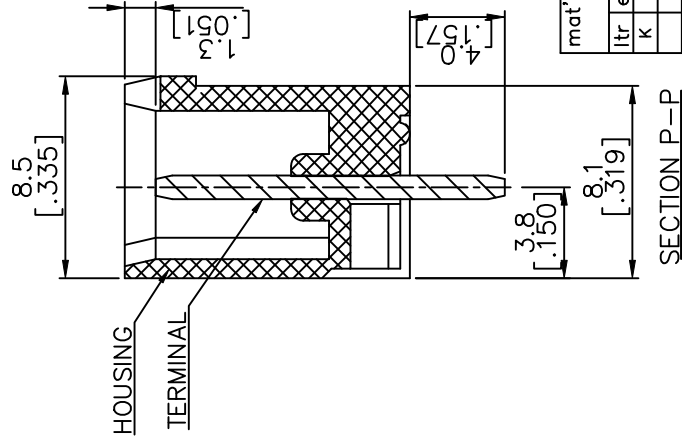
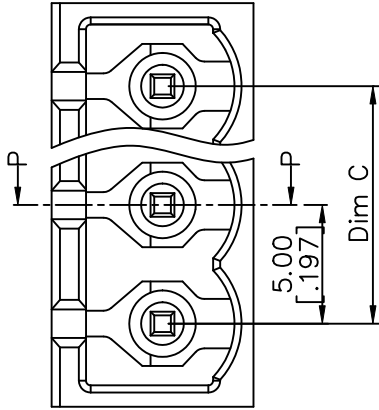
A

PRODUCT NUMBER	SERIES NAME	PITCH
20020107-GXXXXXXLF	06-500	5.00 mm

N = NUMBER OF POLES
DIMENSION

Dim A	$N * 5.0 [.197] + 2.0 [.079]$
Dim B	$(N - 1) * 5.0 [.197]$
Dim C	$(N - 1) * 5.0 [.197]$

Poles	Tolerance
2p-6p	$\pm 0.15 [.006]$
7p-12p	$\pm 0.25 [.010]$
13p-16p	$\pm 0.35 [.014]$
17p-24p	$\pm 0.40 [.016]$



RECOMMENDED P.C.B LAYOUT

mat'l. code		surface	tolerance	projection	product family	TERMINAL BLOCK
ltr	ecn no	date	ASME Y14.5	ASME Y14.5	title	
K			tolerances unless otherwise specified	$X. \pm 0.5 [.020]$	TERMINAL BLOCK	
			angles	$X.X \pm 0.3 [.012]$	PLUGABLE, SOCKET, SIGNAL, VERTICAL	
			$X \pm 1^\circ$	$X.XX \pm 0.1 [.004]$	dwg no	20020107
			dr	BEER FU 062509	sheet 4 of 5	size A4
			engr	BEER FU 062509		
			chr	GARY HSIEH 062509		
			appd	JOSEPH HSIA 062509		
sheet	revision				type	CUSTOMER Drawing
index	sheet					



FCIconnect.com

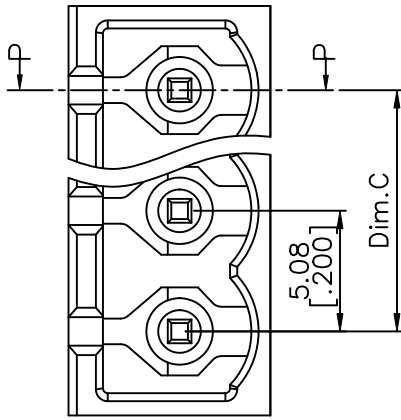
Copyright FCI.

1 | 2

3 |

4

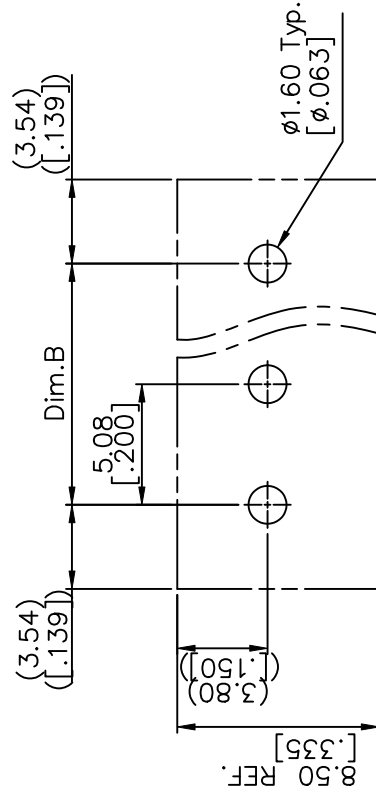
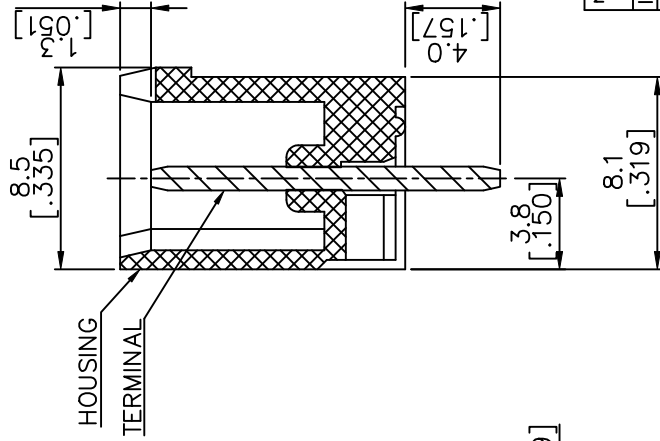
PRODUCT NUMBER	SERIES NAME	PITCH
20020107-HXXXXXXLF	06-508	5.08 mm



N = NUMBER OF POLES
DIMENSION

Dim A	$N * 5.08 [.200] + 2.0 [.079]$
Dim B	$(N - 1) * 5.08 [.200]$
Dim C	$(N - 1) * 5.08 [.200]$

Poles	Tolerance
2p-6p	$\pm 0.15 [.006]$
7p-12p	$\pm 0.25 [.010]$
13p-16p	$\pm 0.35 [.014]$
17p-24p	$\pm 0.40 [.016]$



RECOMMENDED P.C.B LAYOUT

mat'l. code		surface	tolerance	projection	product family	TERMINAL BLOCK
itr		ASME Y14.5	ASME Y14.5		title	
ecn no		tolerances unless otherwise specified	X. ±0.5 [.020]	MM	TERMINAL BLOCK	
dr		angles	X.X ±0.3 [.012]	[INCH]	PLUGABLE, SOCKET, SIGNAL, VERTICAL	
engr		X±1°	X.XX ±0.1 [.004]	scale	dwg no	sheet 5 of 5
chr		dr	BEER FU	062509	20020107	A4
appd		engr	BEER FU	062509	type	CUSTOMER Drawing
sheet		chr	GARY HSIEH	062509		
index		appd	JOSEPH HSIA	062509		
		revision				
		sheet				
		index				

B

A