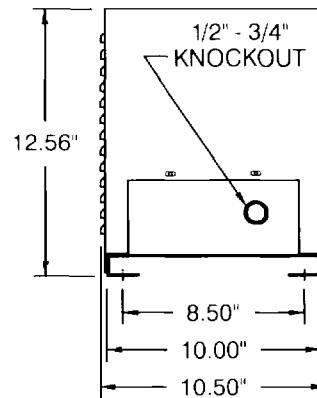
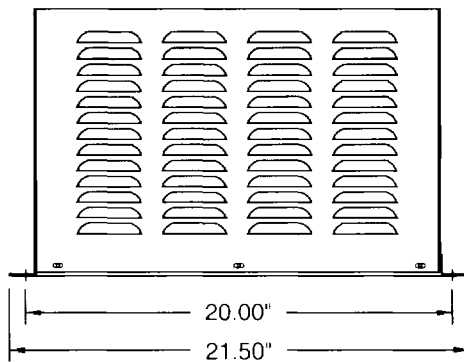


The Daykin Constant Voltage Transformer will provide a highly regulated sine wave output with low harmonic distortion. This device is commonly used in applications where wave shape and voltage regulation are of primary importance.

Features

- Voltage regulation $\pm 3\%$ for an input variation of $\pm 15\%$
- Low harmonic distortion
- 500 VA through 3000 VA
- Input 120 VAC or 480 VAC
- NEMA 1 enclosed
- Single phase – 60 Hz
- Typical efficiency 90%



Type CV – 60 Hz Single Phase 120 Volt Output Regulated $\pm 3\%$

VA Rating	Nominal Input Voltage	Part Number	Approx. Wt. (LBS)
500	120	CV500-120	97
1000	120	CV1000-120	125
1500	120	CV1500-120	152
2000	120	CV2000-120	171
3000	120	CV3000-120	239
500	480	CV500-480	96
1000	480	CV1000-480	124
1500	480	CV1500-480	147
2000	480	CV2000-480	180
3000	480	CV3000-480	223

