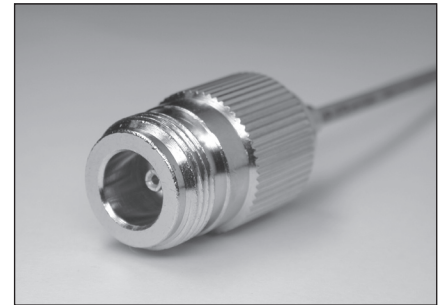
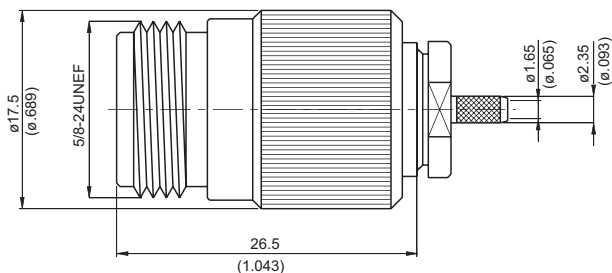
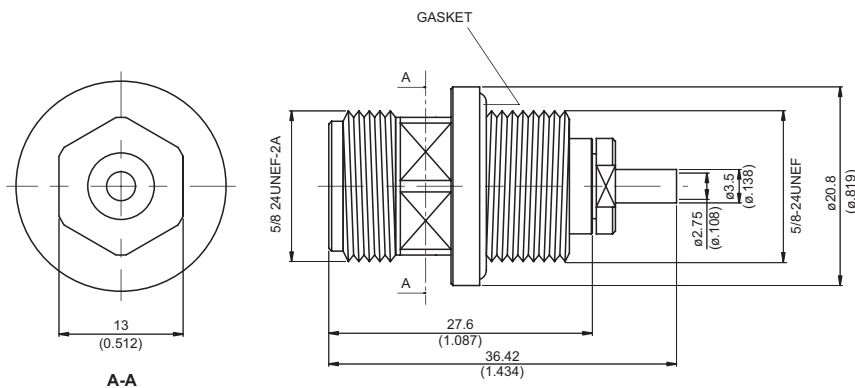


► **N JACK CRIMP**



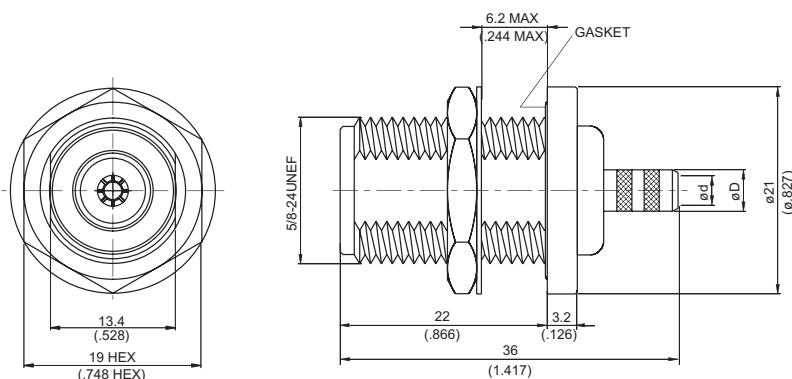
| Part Number | Weight | Material | Suitable Cables | Remarks |
|-------------|--------|----------|---|---------------------------|
| N8100-0316 | 39.02g | C2 | RG174, RG188, RG316, RG316-E, RG316-FEP, JBY100 | |
| N8100D-0316 | 38.88g | C2 | RD316, RG316D-E, RD316-FEP | D=Equivalent cable RD 316 |

► **N JACK SOLDER CLAMP FOR BULKHEAD**



| Part Number | M.H. | Weight | Material | Suitable Cables | Remarks |
|-------------|------|--------|----------|--------------------------------------|-------------|
| N8105P-5002 | 121 | 38.72g | B2 | 5002; SS405; T-FLEX405; Multibend405 | With Gasket |

► **N JACK CRIMP FOR BULKHEAD**



| Part Number | Measurements | M.H. | Weight | Material | Suitable Cables | Remarks |
|-------------|-----------------------------|------|--------|----------|-----------------------------|-------------------------------|
| N8105-0058 | ød=3.1 (.122) øD=4.4 (.173) | 7 | 37.66g | C2 | RG58, JBY195 | With Gasket |
| N8105-0059 | ød=3.9 (.154) øD=5.6 (.220) | 7 | | C2 | RG59 | Impedance=75 ohm; With Gasket |
| N8105-0142 | ød=3.1 (.122) øD=4.4 (.173) | 7 | 37.18g | C2 | RG55, RG142, RG142-E, RG400 | With Gasket |
| N8105-0223 | ød=3.1 (.122) øD=4.4 (.173) | 7 | 37.18g | C2 | RG223 | With Gasket |