

SP4914

2.5GHz ÷ 128 PRESCALER

The SP4914 prescaler is one a range of very high speed low power prescalers for use in consumer applications such as satellite TV receivers. The device features a complementary output stage.

FEATURES

- High Speed Operation 2.5GHz
 - Silicon Technology for Low Phase Noise
 - Very Low Power Dissipation 250mW
 - Single 5V Supply Operation
 - High Input Sensitivity
 - Very Wide Operating Frequency Range
 - Electrostatic Protection †
- † ESD precautions must be observed

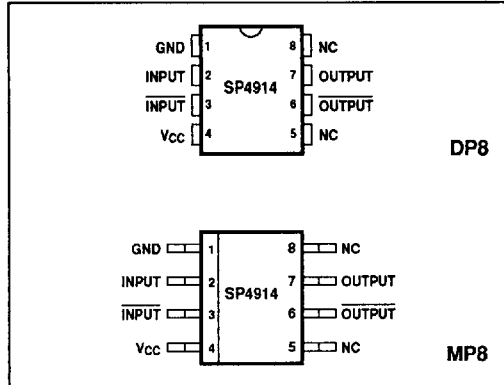


Fig 1. Pin connections - top view

ABSOLUTE MAXIMUM RATINGS

Supply voltage, V_{CC}	+6.5V
Input voltage	2.5V p-p
Storage temperature	-55°C to +150°C
Junction temperature	+175°C

ORDERING INFORMATION

SP4914 NA DP
SP4914 NA MP

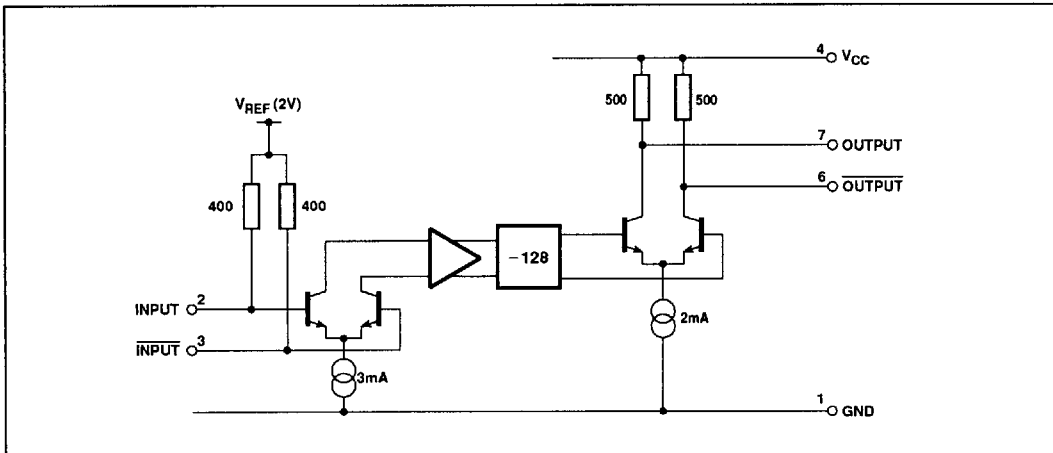


Fig. 2 SP4914 block diagram

ELECTRICAL CHARACTERISTICS

These characteristics are guaranteed over the following conditions (unless otherwise stated):

$T_{AMB} = -10^{\circ}\text{C}$ to $+85^{\circ}\text{C}$, $V_{CC} = +4.75\text{V}$ to $+5.25\text{V}$ (Test circuit see Fig. 4)

Characteristic	Pin	Value			Units	Conditions
		Min.	Typ.	Max.		
Supply current, I_{CC}	4		50	65	mA	$V_{CC} = +5\text{V}$
Input sensitivity	2,3					
500MHz to 1800MHz				50	mV	RMS sinewave, measured in 50Ω system, see Figs 3 and 4.
2500MHz				100	mV	
Input impedance (series equivalent)	2,3		50		Ω	See Fig. 5
			2		pF	
Output voltage with $f_{IN} = 2500\text{MHz}$	6,7	0.8	1		V p-p	$V_{CC} = +5\text{V}$, no load
		0.5	0.8		V p-p	$V_{CC} = +5\text{V}$, load as Fig. 4

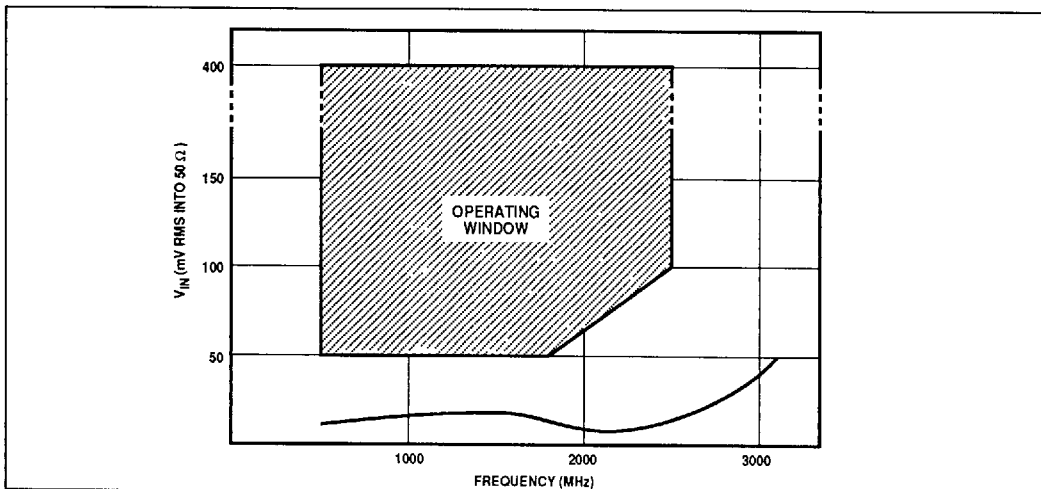


Fig. 3 Typical input sensitivity

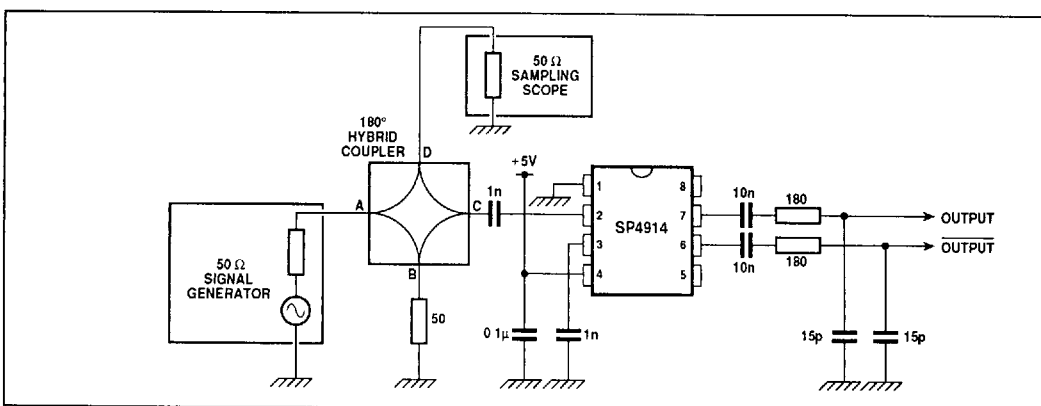


Fig. 4 Test circuit

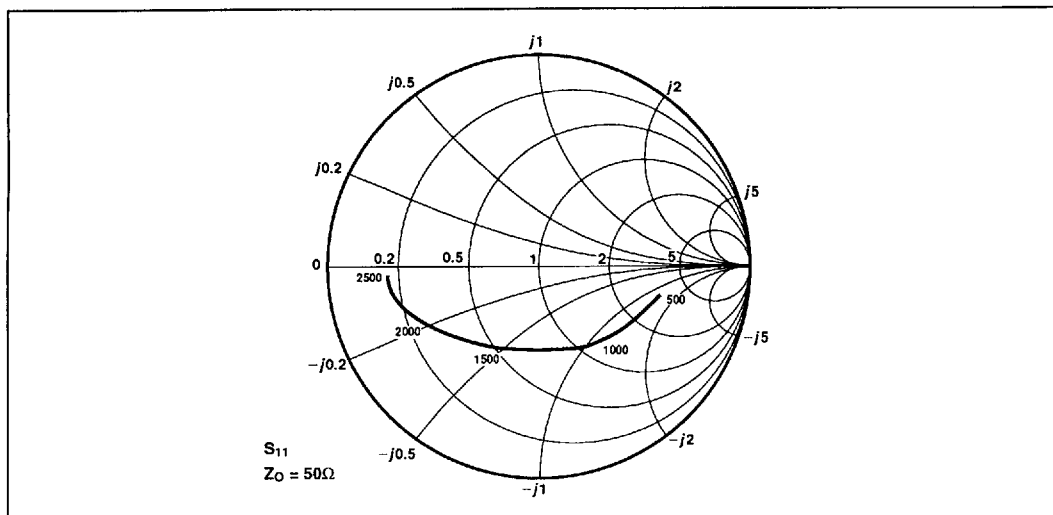


Fig. 5 Typical input impedance (frequencies in MHz)