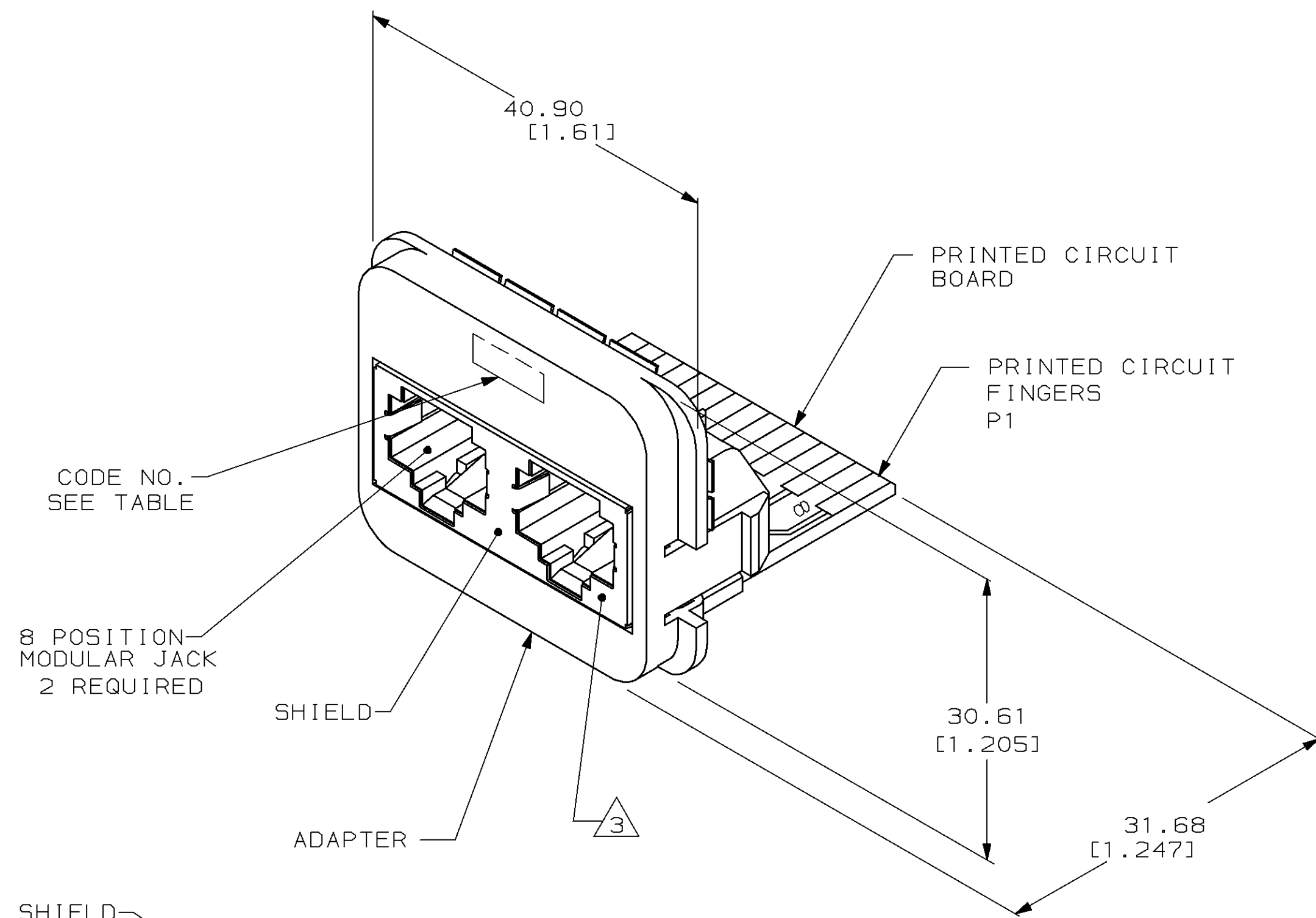
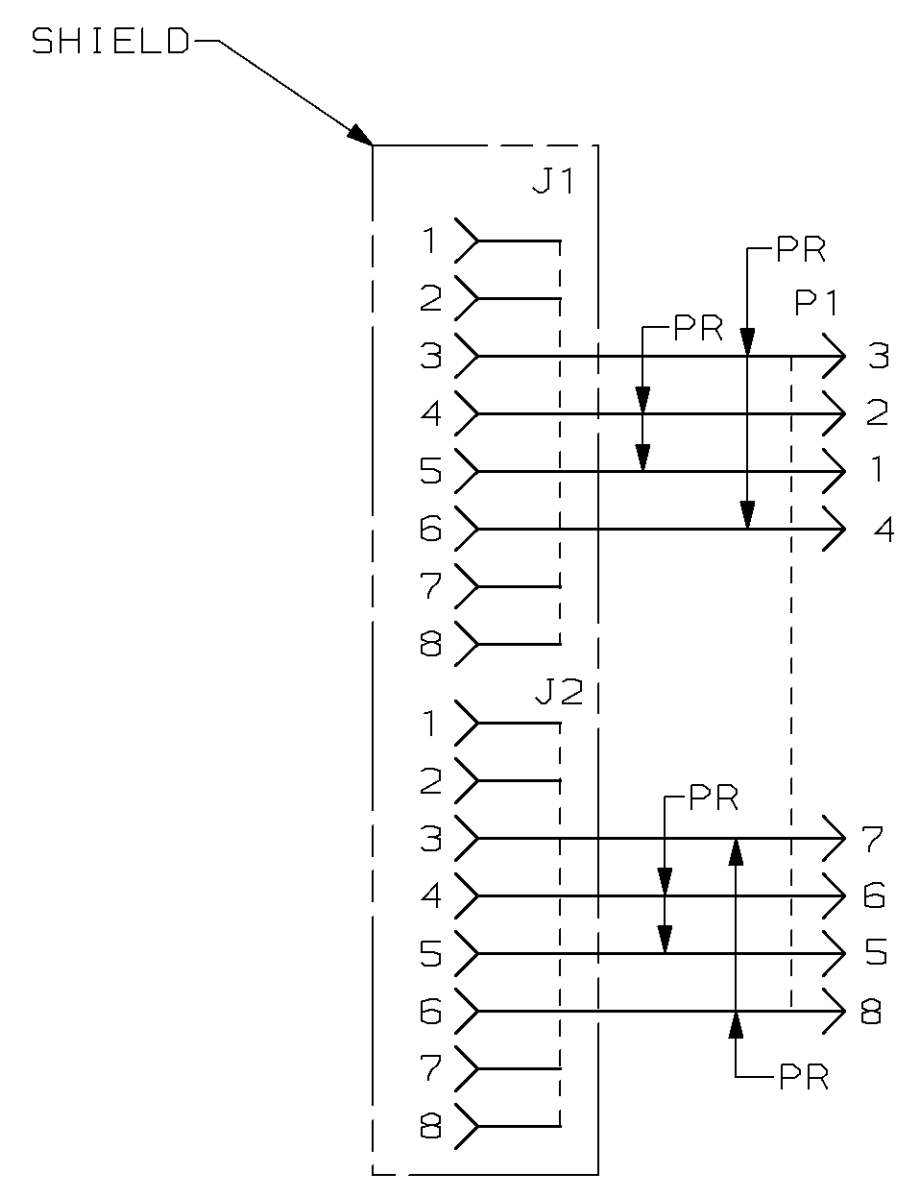


LOC	DIST	P	F	REVISIONS				
AA	28			ZONE	LTR	DESCRIPTION	DATE	APPD
				B		OBS -4; EC 0502-0812-97	27MAY98	CW GB



- 1. DIMENSIONS ARE MAXIMUM.
- 2. MATERIAL: PRINTED CIRCUIT BOARD- LAMINATED PLASTIC SHEET, 1.57 [.062] THICK. ADAPTER-ABS MOLDING COMPOUND, SEE TABLE. PRINTED CIRCUIT FINGERS - 0.51µm [.000020] MINIMUM GOLD PLATE OVER 1.27µm [.000050] MINIMUM NICKEL PLATE. SHIELD - BRASS WITH 5.08µm [.000200] MINIMUM BRIGHT TIN PLATE.
- 3. THIS INTERCONNECT MEETS THE REQUIREMENTS OF IEC 603-7.
- 4. THIS INSERT IS DESIGNED TO MATE WITH AMP INC. EDGE CONNECTOR KIT AND WALLBOX KITS.



ELECTRICAL SCHEMATIC

THIS DRAWING IS A CONTROLLED DOCUMENT FOR AMP INCORPORATED. IT IS SUBJECT TO CHANGE AND THE CONTROLLING ENGINEERING ORGANIZATION SHOULD BE CONTACTED FOR THE LATEST REVISION.

BLACK	220-5	WHITE	557220-5
WHITE	220-3	BLACK	557220-3
BLACK	220-1	LIGHT ALMOND	557220-1
MARKINGS COLOR	CODE NO.	ADAPTER COLOR	PART NO

DO NOT SCALE PRINT. UNLESS SPECIFIED DIMENSIONS IN mm [INCHES] TOLERANCES ON : 2 PLC DEC ± 3 PLC DEC ± ANGLES ±	DR 8-14-91 C. YATES	AMP Incorporated Harrisburg, PA 17105-3608	
	CHK 8-15-91 D. BECK		
MATERIAL	APPD 8-15-91 D. BECK	NAME INSERT ASSEMBLY, DUAL, RJ45, SHIELDED AMP COMMUNICATION OUTLET	
	APPD 8-15-91 JR SCHLUNZ	PRODUCT SPEC -	
FINISH	APPLICATION SPEC	SIZE C	CAGE CODE 00779
	-	DRAWING NO G=557220	
WEIGHT	-	SCALE 2:1	SHEET 1 OF 1