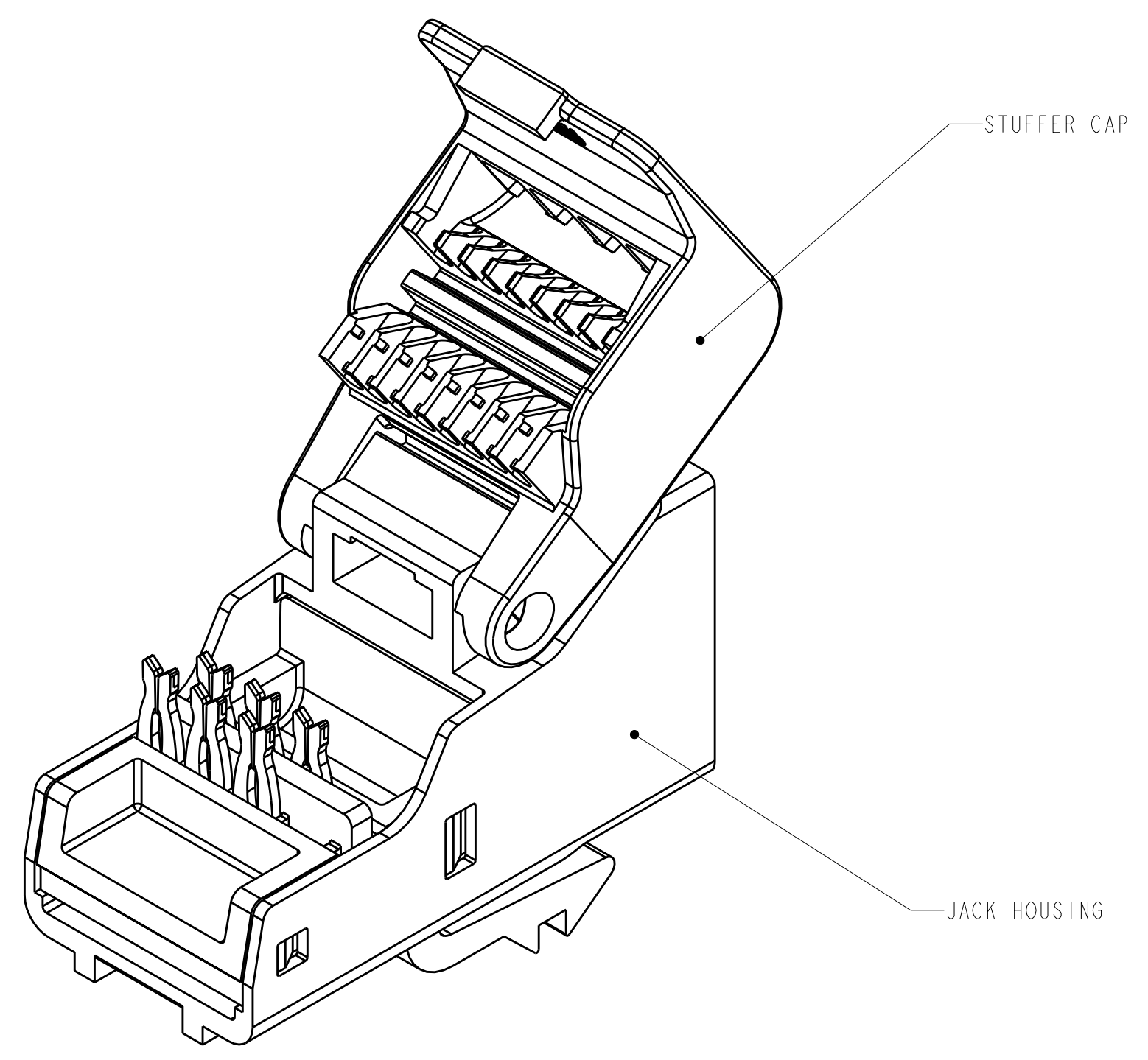
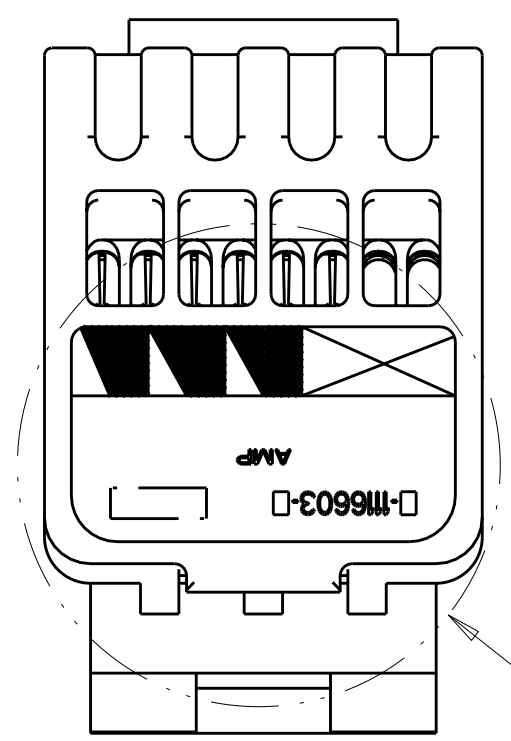


LOC	DIST	REV	DATE	BY	APPD
HM	00				
		D	ECO-06-016706	13JUL2006	JM BM
		E	REV: ECO-08-031883	05JAN2009	GG SA
		-	-	-	-
		-	-	-	-

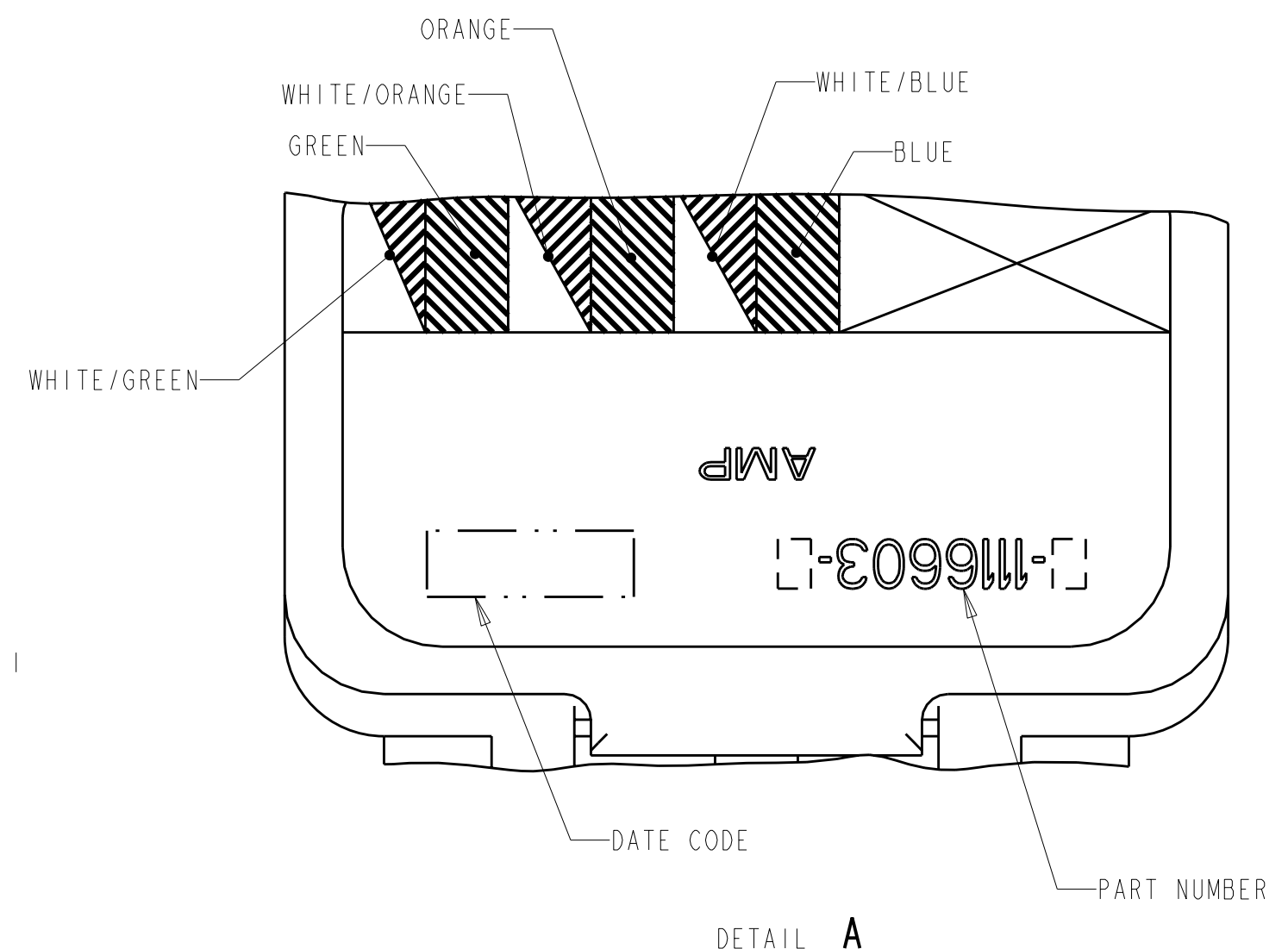
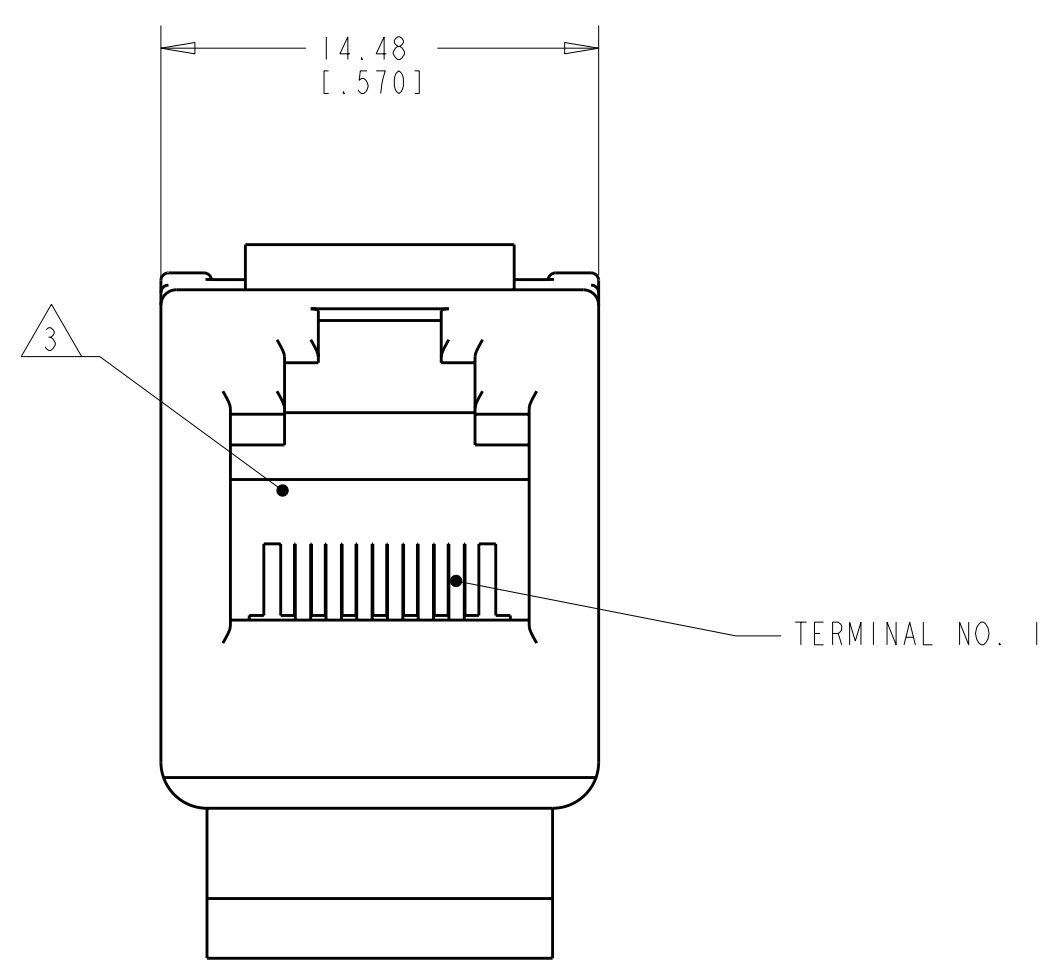
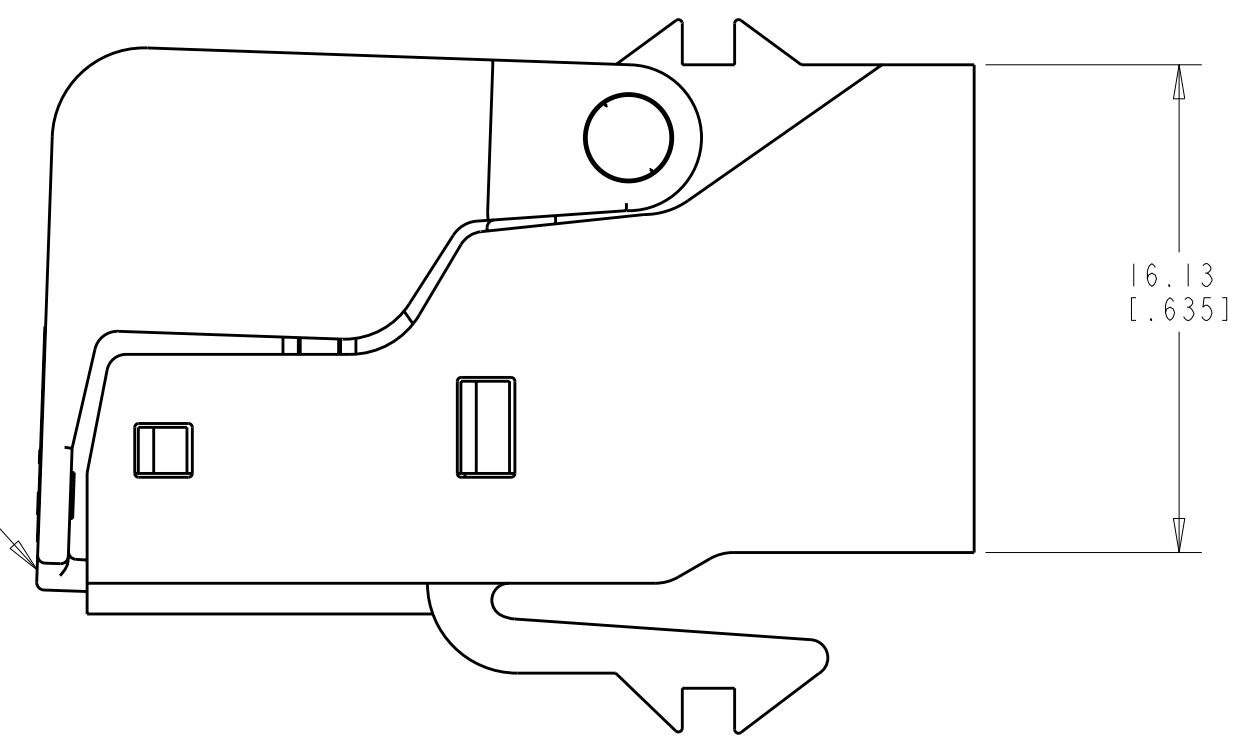


OPEN POSITION

- 1 MATERIAL: JACK HOUSING - POLYPHENYLENE OXIDE, 94V-0 RATED. TERMINAL BLOCK - POLYPHENYLENE OXIDE, 94V-0 RATED. STUFFER CAP - POLYCARBONATE, CLEAR, 94V-0 RATED. JACK CONTACTS - PHOSPHOROUS BRONZE, PLATED WITH 1.27µm [.000050] MINIMUM THICK GOLD IN LOCALIZED AREA AND 3.81µm [.000150] MINIMUM THICK MATTE TIN IN SOLDER AREA OVER 1.27µm [.000050] MINIMUM THICK NICKEL UNDERPLATE.
- 2. TOOLLESS WILL TERMINATE 22-24 AWG SOLID CONDUCTORS AND 24 AWG STRANDED CONDUCTORS, 1.14 [.045] MAXIMUM INSULATION DIAMETER.
- 3 CAVITY CONFORMS TO FCC RULES AND REGULATIONS PART 68 SUBPART F REQUIREMENTS.
- 4. MOUNTING PANEL THICKNESS 1.473 - 1.600 [.058 - .063].
- 5 THESE TWO SUGGESTED CUTOUT OPENINGS ARE USED IN TANDEM WITH DUAL FRONT AND BACK CUTOUTS.
- 6 ONE MODULAR JACK ASSEMBLY PER POLYBAG.
- 7 ASSEMBLY SHIPPED WITH STUFFER CAP NOT LATCHED AT REAR OF HOUSING ASSEMBLY AS SHOWN.



SEE DETAIL A



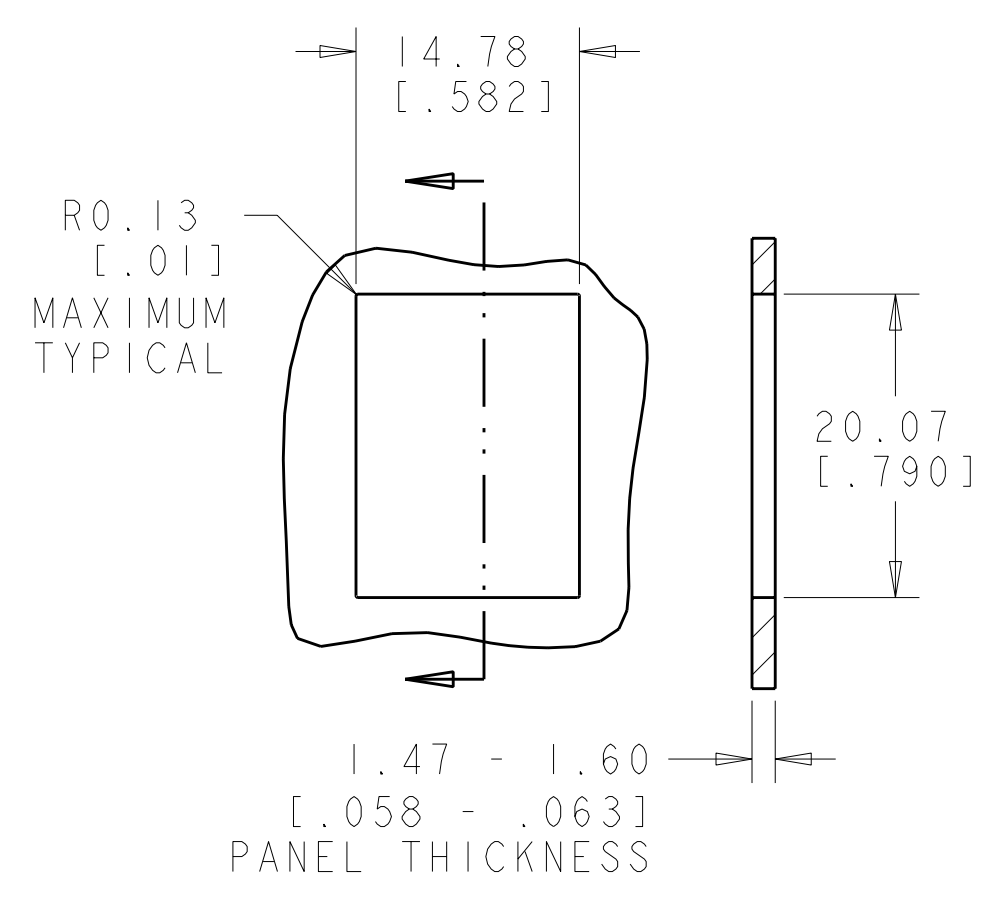
DETAIL A
SCALE 10:1

COLOR CODE	IDC TERMINAL	MODULAR JACK	
WHITE/BLUE			4
BLUE			3
WHITE/ORANGE			2
ORANGE			5
WHITE/GREEN			1
GREEN			6
WHITE/BROWN			
BROWN			

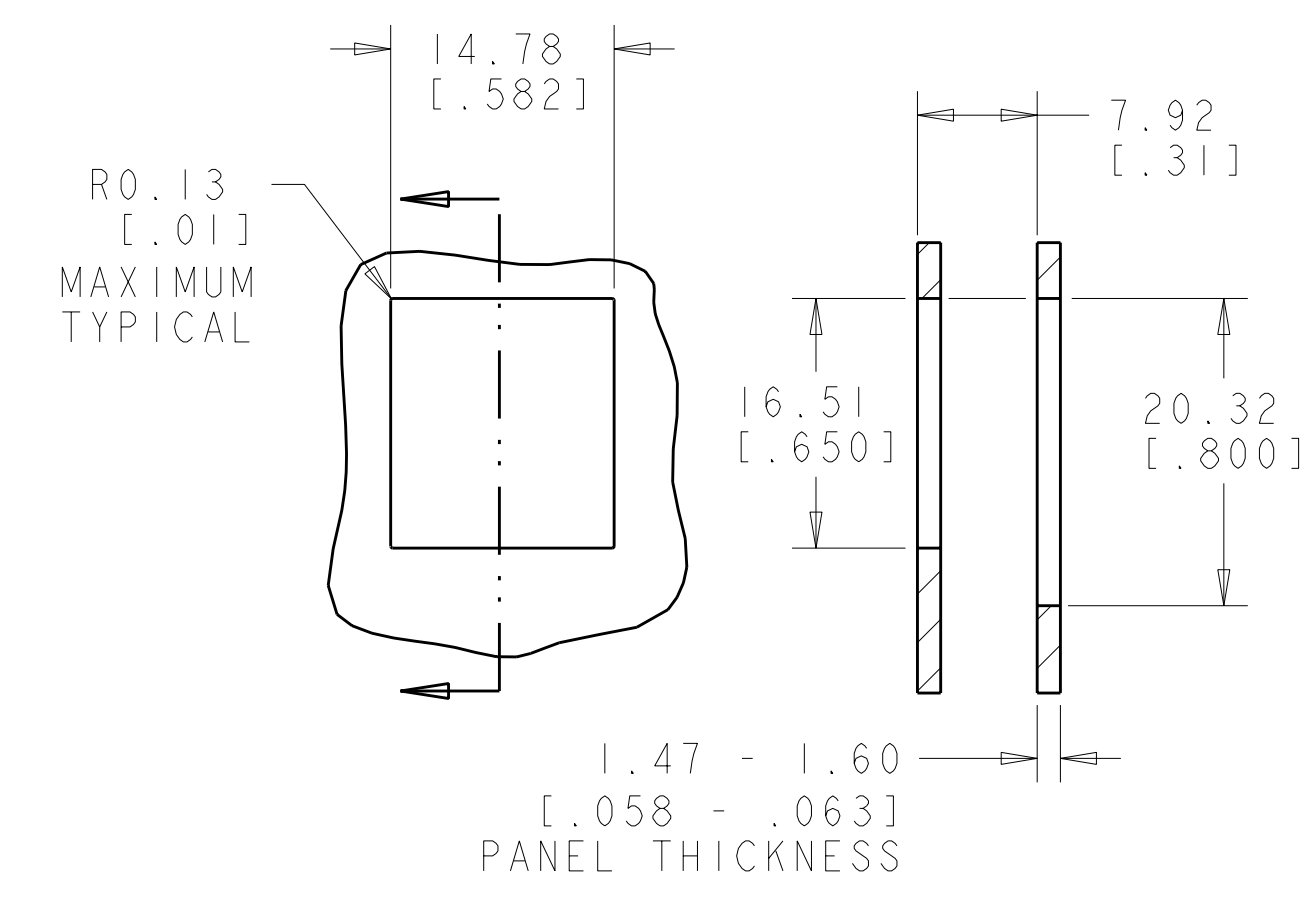
ELECTRICAL SCHEMATIC (USOC)

COLOR CODE	IDC TERMINAL	MODULAR JACK	
GREEN			4
RED			3
BLACK			2
YELLOW			5
WHITE			1
BLUE			6

ELECTRICAL SCHEMATIC (USOC)



SINGLE PANEL CUTOUT



SUGGESTED FLUSH MOUNT
PANEL APPLICATION CUTOUT

PACKAGE	HOUSING COLOR	PART NUMBER
	ELECTRIC IVORY	1-1116603-1
	VIOLET	1-1116603-0
	GREEN	1116603-9
	YELLOW	1116603-8
	RED	1116603-7
	BLUE	1116603-6
	ORANGE	1116603-5
	NEMA GRAY	1116603-4
	WHITE	1116603-3
	BLACK	1116603-2
	LIGHT ALMOND	1116603-1

DIMENSIONS: mm [INCHES]		TOLERANCES UNLESS OTHERWISE SPECIFIED: 9 PLC ± . 8 PLC ± .25 [.011] 5 PLC ± .13 [.005] 4 PLC ± . ANGLES ± .		DWN PJP 05AUG98 CHK PJP 05AUG98 APVD PJP 05AUG98		AMP Incorporated Harrisburg, PA 17105-3608	
MATERIAL:		FINISH:		PRODUCT SPEC 108-1916		NAME ASSEMBLY, TOOLLESS JACK, CAT 3, 6 POSITION	
WEIGHT:		CUSTOMER DRAWING		SIZE CAGE CODE DRAWING NO A11 00779 C=1116603		RESTRICTED TO	
SCALE 4:1		SHEET 1 OF 1		REV E		Tyco Electronics	